



DH6-120V In-line Duct Heater Submittal

This 120V inline duct heater for 6" round duct is designed for both horizontal and vertical mounting. The DH6-120V has a heating element which converts electricity into heat through Resistance – the process by which the passage of an electric current thru a conductor (wire) releases heat. The resulting heat is transferred by convection providing there is a temperature difference.

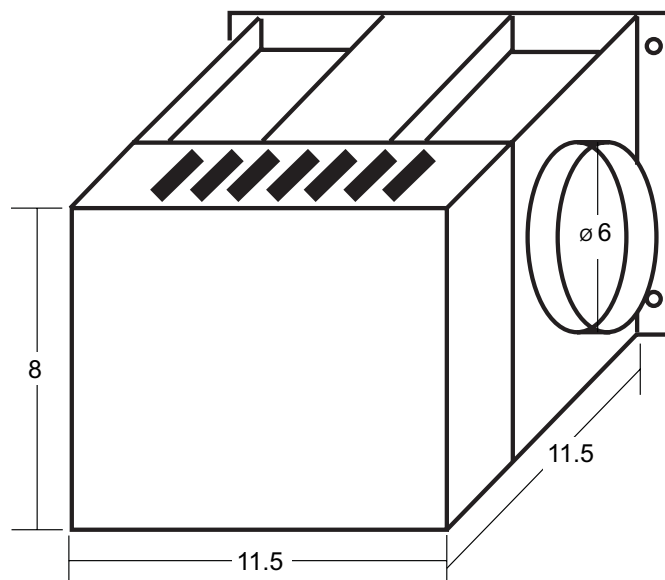


Specifications

- Zero clearance for horizontal operation
- 1 in /2.cm for a distance of 6 ft/1.8 m downstream for vertical operation
- Flex duct can be mounted directly to unit (250°F / 121°C rated), no transition or extra metal duct required
- Factory installed airflow switch and probe, no need to specify right or left airflow, superior design allows for operation in either direction
- Single Point Power Connection
- cULus Listed

Round Duct Size (inches)	Performance	Phase	Frequency	Voltage	Power	Current	Minimum Air Flow
6	32-108°F/ 0-42°C	1	60 Hz	120	1 kW	8.33 A	30 CFM

Dimensions



All specifications are subject to change without notice unless approved in submittal by S&P USA.

DH6-120V-Submittal-4-11-2018