

MODEL ARE/ARS

DOME DIRECT DRIVE PROPELLER EXHAUST/SUPPLY ROOF FAN



APPLICATION

The ARE/ARS series offers powerful axial exhaust or supply performance in a roof mount design that is compact, lightweight and easy to install.

The ARE/ARS series is an excellent choice for factories, shops, restaurants, bathrooms, offices, schools and other similar applications where light to moderate static pressures are present.

The low contour designs and all aluminum housing provides a modern, clean appearance in addition to excellent performance and durability. The direct drive design has no belts or fan bearings to maintain or adjust and consequently requires very little maintenance.

CONSTRUCTION

Housing

- Heavy-gauge all aluminum housing.
- Exclusive U-Spring suspension compensates for both radial and lateral movement and provides 44% better vibration isolation than rubber isolators.
- External wiring chase for easy connection.
- Quick access to motor compartment for easy maintenance.

Propeller

- Attaches directly to motor shaft for maximum efficiency.
- Precision pitched, heavy-gauge aluminum blades with steel hub. Blades are designed for specific exhaust or supply requirements.

Speed Controllable Motor

- Standard motors are single speed, speed controllable and drip-proof.
- All motors are rated for continuous duty.
- Disconnect is standard on ODP motors.
- Motors are shipped assembled with factory test run assurance.

DIMENSIONAL DATA

MODEL ARE/ARS	A	B	C	D	E	F	Average Ship Wt. Lbs.
10	21	13	7	2	20	12 3/4	25
12	28	16	8	3	24	15 3/4	42
16	32	18	8 1/2	3	28	19 3/4	55
20	36	20	9 3/4	3	32	23 3/4	75

ACCESSORIES

Solid State Speed Control:

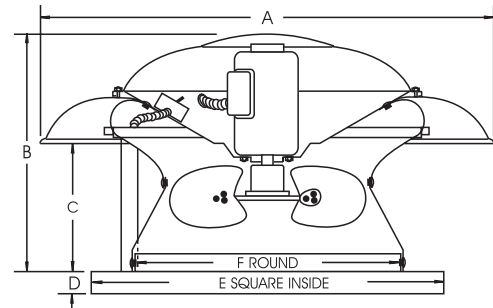
Is matched to the motor and blower wheel to allow continuous reduction in performance allowing adjustments of airflow for system balancing. CFM is reduced in direct proportion to motor speed reduction. Speed control is only available for single phase. Exhauster performance can be controlled from the ventilated area.



S&P USA Ventilation Systems, LLC., Div. of Soler & Palau Ventilation Group, certifies that the Models ARE & ARS shown herein are licensed to bear the AMCA Seal. The ratings shown are based on test and procedures performed in accordance with AMCA Publication 211 and AMCA Publication 311 and comply with the requirement of the AMCA Certified Ratings Program.



LISTED POWER ROOF VENTILATOR
UL STANDARD 705



Ship Schedules:
● Next Day Shipment From Stock
▲ 3 Day Shipment From Stock
◆ 10 Day Shipment

ACCESSORIES

MODEL ARE/ARS	RECOMMENDED 12" MOUNTING CURB		DAMPER ARE/ARS		DAMPER MOTOR ARE/ARS(LOOSE)	115 VOLT SPEED CONTROL	230 VOLT SPEED CONTROL
	OD	STOCK NO.	OD	STOCK NO.	STOCK NO.	STOCK NO.	STOCK NO.
10	18 1/2	711218 ●	14	411014 / S3GA12CB ●	411611 / MP2781 ●	2727.1 ●	3232.1 ◆
12	22 1/2	611222 ●	18	411018 / S3GA16CB ●	411611 / MP2781 ●	2727.1 ●	3232.1 ◆
16	26 1/2	92612221 ●	22	411022 / S3GA20CB ●	411611 / MP2781 ●	2727.1 ●	3232.1 ◆
20	30 1/2	93012221 ◆	26	411026 / S3GA24CB ◆	411611 / MP2781 ◆	2727.1 ◆	3232.1 ◆

SPEED CONTROL 2727.1 MAX 1/3 HP-5 AMP 120V

ALL DIMENSIONS IN INCHES, WEIGHTS IN POUNDS. OD IS OUTSIDE DIMENSION OF SQUARE CURB AND DAMPER. DUE TO CONTINUING RESEARCH, S&P RESERVES THE RIGHT TO CHANGE SPECIFICATIONS WITHOUT NOTICE.

Please refer to the General Catalog or contact the Factory for our Full Line of products available on standard shipping schedules.

PROPELLER ROOF VENTILATORS

MODEL ARE					Dome Direct Drive Propeller Exhaust Roof Fan								Ventilator with Open Drip-proof Motor	
MODEL ARE	MOTOR Hp	MAX BHp	RPM	SONES @ 0 SP	CFM at Static Pressure								115/1/60	208-230/1/60
					0	1/10	1/8	1/4	3/8	1/2	5/8	3/4	STOCK NO.	STOCK NO.
10	1/15	0.15	930	1.6	336	167	147	22	-	-	-	-	ARE10IH1AS ●	N/A
			1230	3.0	445	299	270	175	81	-	-	-		
			1550	5.0	561	463	425	298	228	165	85	-		
12	1/4	0.15	685	2.1	713	363	297	-	-	-	-	-	ARE12MM1AS ◆	ARE12MM1CS ◆
			940	4.1	979	787	697	381	163	-	-	-		
			1140	5.9	1187	1056	1007	657	453	269	102	-		
	1/4	0.30	1030	4.6	1077	931	868	513	318	143	-	-	ARE12MH1AS ●	ARE12MH1CS ◆
			1375	7.6	1438	1344	1316	1095	799	612	470	342		
			1725	11.2	1804	1728	1708	1596	1410	1154	931	781		
16	1/4	0.19	685	2.8	1047	661	564	253	-	-	-	-	ARE16MM1AS ◆	ARE16MM1CS ◆
			940	5.4	1436	1208	1126	738	496	305	122	-		
			1140	7.5	1742	1572	1518	1173	881	674	498	327		
	1/3	0.41	1030	5.3	1551	1357	1287	899	648	460	-	-	ARE16PH1AS ●	ARE16PH1CS ◆
			1375	8.4	2071	1940	1903	1655	1345	1104	920	767		
			1725	12.1	2598	2495	2470	2301	2111	1824	1539	1334		
20	1/4	0.42	685	5.8	1781	1372	1248	704	317	-	-	-	ARE20MM1AS ◆	ARE20MM1CS ◆
			940	9.8	2444	2183	2110	1656	1222	893	606	348		
			1140	13.4	2855	2617	2546	2183	1780	1417	1126	865		

Performance certified is for installation type A – free inlet, free outlet.
 The sound ratings shown are loudness values in fan sones @ 5' (1.5m) in a hemispherical free field calculated per AMCA Standard 301. Values shown are for: installation Type A: free inlet hemispherical sone levels.

Use 5 AMP Speed Control for motors 1/3 HP and smaller.

MODEL ARS					Dome Direct Drive Propeller Supply Roof Fan								Ventilator with Open Drip-proof Motor	
MODEL ARS	MOTOR Hp	MAX BHp	RPM	SONES @ 0 SP	CFM at Static Pressure								115/1/60	208-230/1/60
					0	1/10	1/8	1/4	3/8	1/2	5/8	3/4	STOCK NO.	STOCK NO.
10	1/15	0.17	1230	4.8	454	308	271	71	-	-	-	-	ARS10IH1AS ◆	N/A
			1390	6.1	513	384	352	182	-	-	-	-		
			1550	7.7	572	457	428	280	119	-	-	-		
12	1/4	0.09	820	4.5	678	379	308	-	-	-	-	-	ARS12MM1AS ◆	ARS12MM1CS ◆
			940	5.8	777	526	452	-	-	-	-	-		
			1140	8.0	942	760	695	412	-	-	-	-		
	1/4	0.26	1030	7.1	853	653	576	283	-	-	-	-	ARS12MH1AS ◆	ARS12MH1CS ◆
			1375	11.8	1138	1020	979	709	487	287	-	-		
			1725	16.4	1428	1341	1316	1146	921	728	565	260		
16	1/4	0.21	820	7.8	1253	1000	916	552	-	-	-	-	ARS16MM1AS ◆	ARS16MM1CS ◆
			940	9.8	1436	1233	1164	817	526	-	-	-		
			1140	13.7	1742	1589	1541	1253	976	691	-	-		
	1/3	0.37	1030	9.2	1289	1013	944	655	-	-	-	-	ARS16PH1AS ◆	ARS16PH1CS ◆
			1375	15.5	1720	1574	1493	1205	965	807	-	-		
			1725	23	2158	2070	2036	1753	1542	1333	1148	918		
20	1/4	0.30	685	7.9	1631	1150	1018	-	-	-	-	-	ARS20MM1AS ◆	ARS20MM1CS ◆
			940	13.3	2239	1907	1816	1341	809	-	-	-		
			1140	18.2	2654	2370	2282	1843	1359	-	-	-		

Performance certified is for installation type A – free inlet, free outlet.
 The sound ratings shown are loudness values in fan sones @ 5' (1.5m) in a hemispherical free field calculated per AMCA Standard 301. Values shown are for: installation Type A: free inlet hemispherical sone levels.

Use 5 AMP Speed Control for motors 1/3 HP and smaller.

Please refer to the General Catalog or contact the Factory for our Full Line of products available on standard shipping schedules.