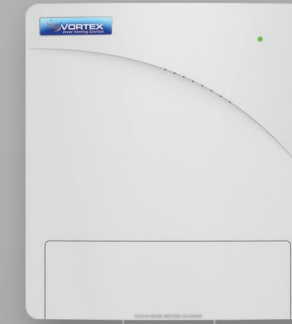




# Redefining the standard in Dryer Exhaust

DBF-DEDPV



**VORTEX**<sup>®</sup>  
Dryer Venting Solution



2480 Boul. des Entreprises Terrebonne, Quebec J6X 4J8 CANADA  
T: 450.477.1100 F: 514.313.5700 TF: 1.800.489.1301  
WWW.ATMOSPHERE.COM

FEBRUARY 2020

Customer support : [info@atmosphere.com](mailto:info@atmosphere.com)  
Sales inquiries : [sales@atmosphere.com](mailto:sales@atmosphere.com)

## Panasonic

Panasonic is the exclusive distributor of  
Atmosphere products in the US

Panasonic IAQ Division      For Order Information  
Two Riverfront Plaza      PHONE: 866-292-7299  
Newark, NJ 07102      FAX: 888-553-0723  
[na.panasonic.com/us/iaq](http://na.panasonic.com/us/iaq)      [ventfans@us.panasonic.com](mailto:ventfans@us.panasonic.com)

Design and specifications subject to change without notice.

# Dryer Exhaust Duct Power Ventilator

## DBF-DEDPV



- 18Ga Galvanized steel housing ensuring long lasting rust protection



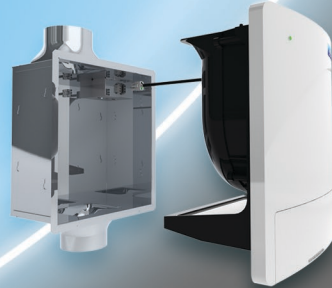
- Integrated lint trap
- Low pressure drop
- 50 in<sup>2</sup> nylon mesh



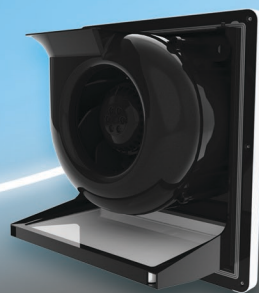
- Reduce drying times and energy consumption



- A overheat device will shut down the fan in the event of a dryer fire



- Unit can be easily removed from housing for maintenance



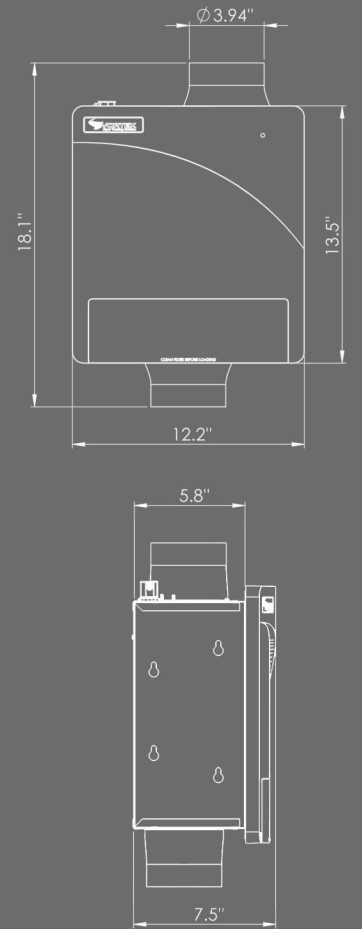
- Powered by a backward curved impeller boosting air up to 130'

For years, dryer exhaust fans have been successfully used in homes and multi-family buildings with long dryer exhaust duct runs. Many homeowners, previously burdened with long drying times and perpetually damp clothes, have been delighted with the results.

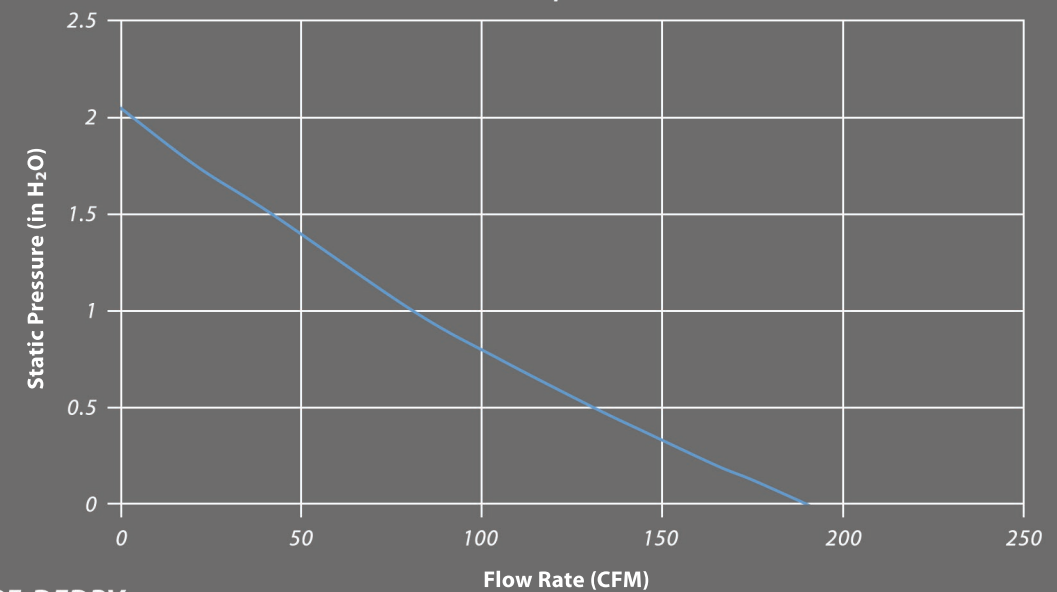
### Operation

- Specially designed to solve problems caused by long duct runs on clothes dryers.
- The DBF-DEDPV automatically energizes when the dryer is operated. A pressure sensor is used to sense dryer operation and energize the fan.
- A LED light on the front panel indicates proper fan operation to the dryer operator as well as notifies in the event of a problem.
- The DBF-DEDPV monitors the internal pressure, it will detect and notify the homeowner in the event of a blockage.
- A thermal fuse will shut down the fan in case of a dryer fire.
- Maintains 1,200 FPM air velocity.
- Quicker and easier maintenance cleaning.
- Fast and easy wall mounted installation.
- 10 year warranty.
- Certified as a DEDPV UL705 CSA C22.2 #113 Clause 12

DBF-DEDPV View & Sizes



DBF-DEDPV Performance Graph



### DBF-DEDPV

ALL VTX PRODUCTS INCORPORATE MOTORS SUITABLE FOR 120 Volts AC 60Hz ELECTRICAL SUPPLY ONLY

Duct Dia.	RPM	Volts	Rated Watts	Max Amps	Static Pressure in Inches W.G.												Max Ps
					0"	0.125"	0.2"	0.25"	0.375"	0.5"	0.75"	1"	1.25"	1.5"	2"		
4"	2970	120	68	0.56	192	182	176	172	163	154	130	105	77	50	0	2,004	

Performance certified is for installation type D - Ducted inlet, Ducted outlet. Speed (RPM) shown is nominal. Performance is based on actual speed of test. Performance ratings include the effects of appurtenances (accessories) Inlet Duct, Inlet Bell, Outlet Duct