

Submitted by: \_\_\_\_\_

Date: \_\_\_\_\_

Floor and Baseboard

Deluxe Floor Register

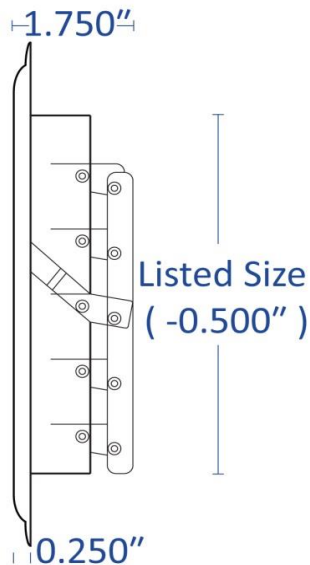
**Model:**



**Available Options**

- Brown finish
- White finish

Listed Size (+ 1.500")



**Model Features**

- Sturdy all-steel construction
- Multi-shutter damper
- Widespread air diffusion
- Durable powder coat finish
- Individually welded blades

**Material:** Steel

**Face:** Individually welded blades

**Model Size:**

Project Name: \_\_\_\_\_

Architect: \_\_\_\_\_

Project Location: \_\_\_\_\_

Engineer: \_\_\_\_\_

Contractor: \_\_\_\_\_