

N.T.S.



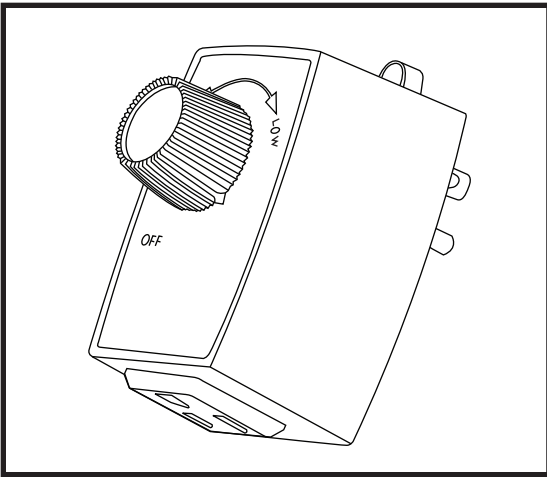
PLUG-IN VARIABLE SPEED CONTROL

MODEL VS200

SUNCOURT INC.
P.O. Box 40
Durant, IA 52747-0040
1.800.999.FANS (3267)
www.suncourt.com

UNIT WEIGHT: 0.20 LBS. • MAX INPUT: 120 VAC, 2.5 A, 50/60 HZ
MAX OUTPUT: 120 VAC, 2.5 FLA, 300 W
MAX AMBIENT TEMPERATURE: 140°F (60°C)
UL® LISTED • SOLID STATE SPEED CONTROL

PRODUCT DATA SHEET



Model: VS200

Variable Speed Fan Control

1 Year Limited Warranty

Solid State

Max input: 120 Vac, 2.5 A, 50/60 Hz

Max output: 120 Vac, 2.5 FLA, 300 W

UL® Listed

Made In China

Primary UOM: EA

Shipping Multiple: 4

Performance

Hazardous Material Info

Not Applicable

Customs Tariff Classification

HS Code	Country of Origin	NAFTA Preference Criterion	NAFTA Producer Index
9032896025	China		No

Packaging Metrics

	UPC/SCC	Width (in)	Height (in)	Depth (in)	Weight (lbs)
Unit	066028012005	3.75	4.25	2.50	0.25
Master Case	40066028012003	8.25	5.75	5.50	1.50