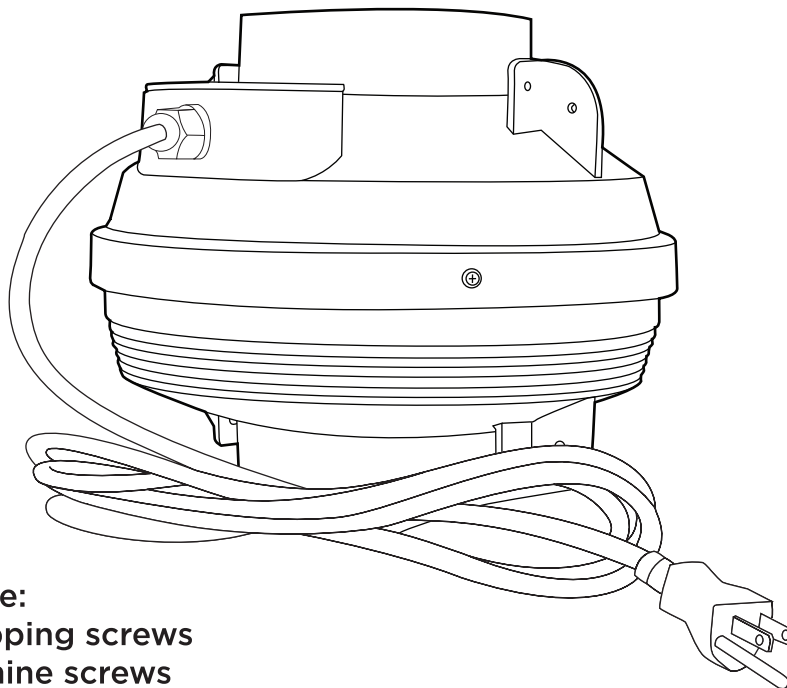
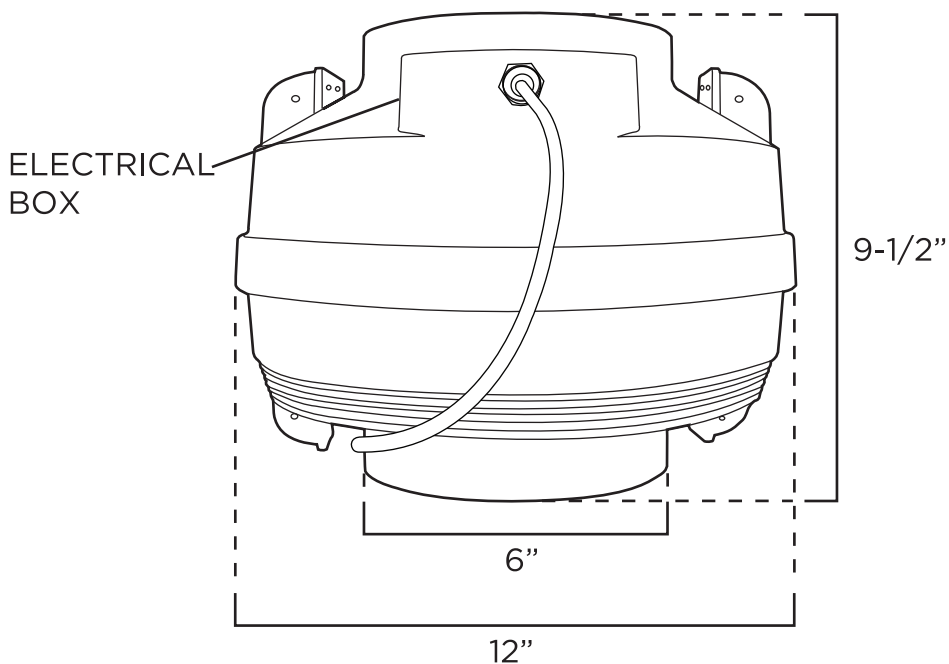




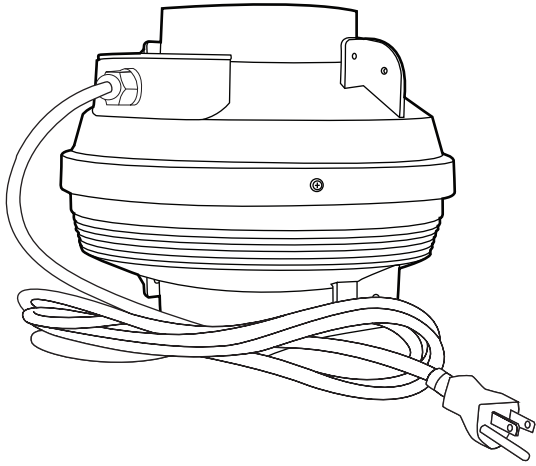
6" CENTRAX® CORDED IN-LINE CENTRIFUGAL FAN™



Mounting Hardware:

- (4) #8 x 1" Self tapping screws
- (4) #6 X 1/2" Machine screws
- (4) Hex nuts, (4) #6 Lock washers
- (4) Rubber washers
- (2) Fan mounting brackets, (2) Cable ties
- (6) #6 Screws for securing duct connection

MODEL: TF106-CRD



Model #: TF106-CRD
Centrax® 6" Corded In-Line Centrifugal Fan
420 Free Air CFM, 78.4 Running Watts
0.65 Amps, 120 VAC, 60 Hz
Class B external rotor motor
Thermally protected auto reset
Ball bearing balanced ABS backward inclined impeller
MET® Listed to UL & CSA Standards for USA & Canada
5 Year Limited Warranty
6" Diameter
Made In USA

PERFORMANCE:

CFM	Watts	Amps	Volts	Hz	dBA	Sones	Weight
420	78.4	0.65	120	60	59	6.4	6.29lbs

HAZARDOUS MATERIAL INFO:

Not Applicable

CUSTOMS TARIFF CLASSIFICATION:

HS Code	Country of Origin	NAFTA Preference Criterion	NAFTA Producer Index
8414596060	USA		No

PACKAGING METRICS:

	UPC / SCC	WIDTH (in)	HEIGHT (in)	DEPTH (in)	WEIGHT (lbs)
Unit:	066028035066	12.5	12.5	12.5	10.25
Master Case (1qty):	40066028035064	12.5	12.5	12.5	10.25

MODEL: TF106-CRD