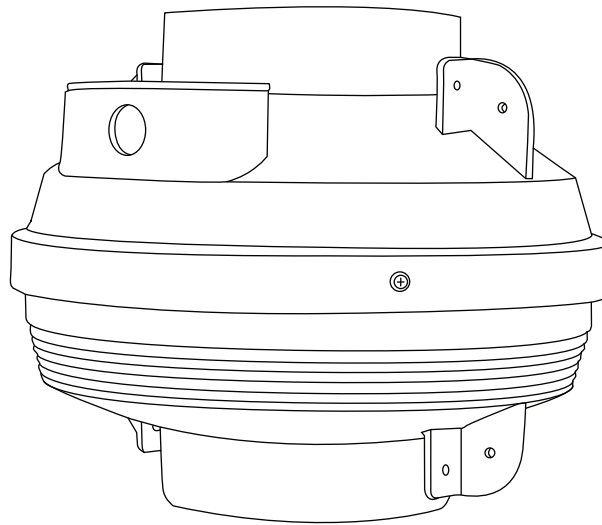
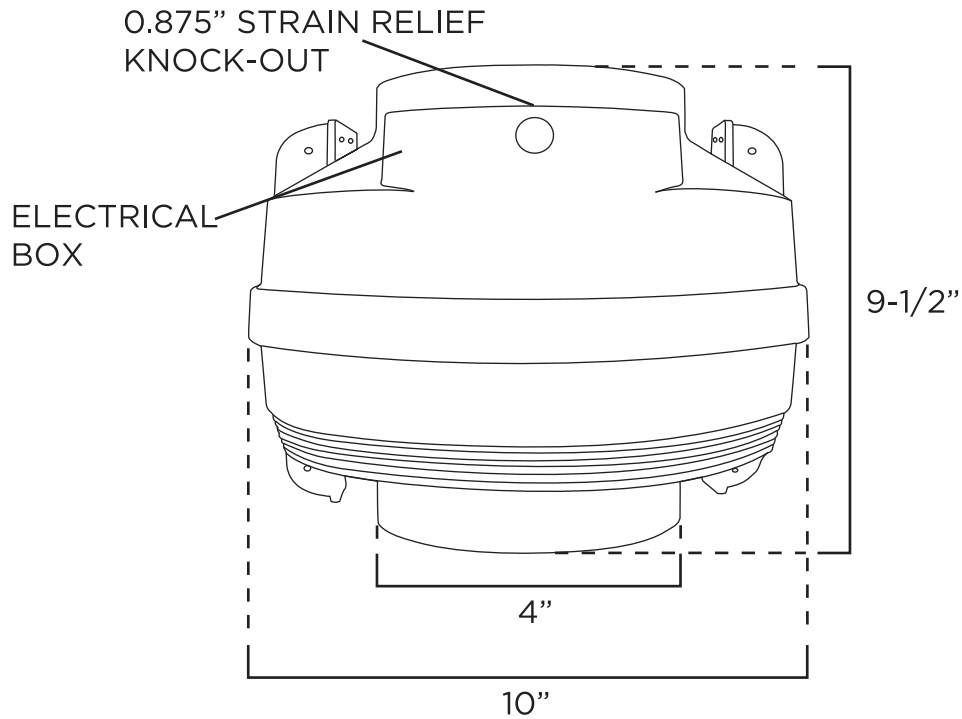




N.T.S.

DRYER BOOSTING KIT



Mounting Hardware:

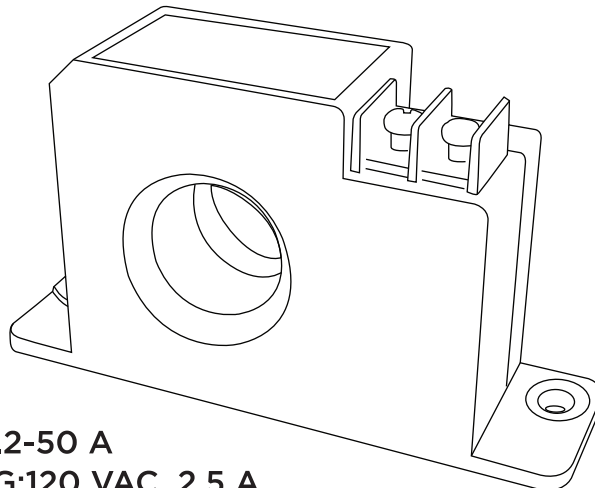
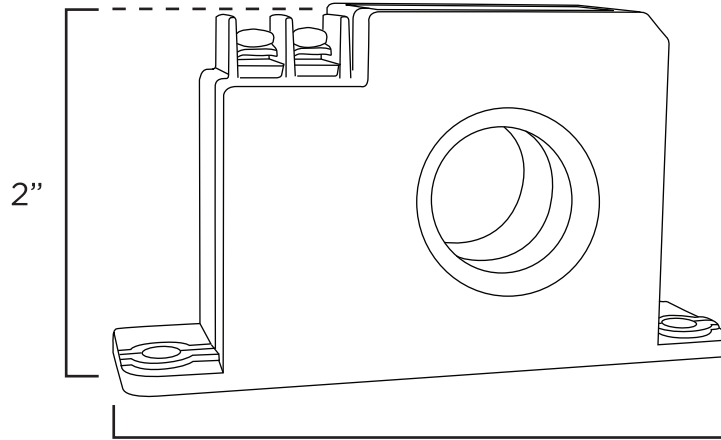
- (4) #8 x 1" Self tapping screws
- (4) #6 X 1/2" Machine screws
- (4) Hex nuts, (4) #6 Lock washers
- (4) Rubber washers
- (2) Fan mounting brackets, (2) Cable ties
- (6) #6 Screws for securing duct connection

MODEL: DRY04



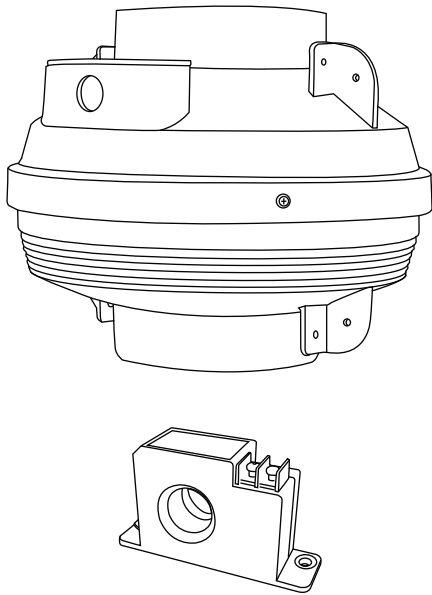
N.T.S.

DRYER BOOSTING KIT



SWITCHING CURRENT: 1.2-50 A
OUTPUT SWITCH RATING: 120 VAC, 2.5 A
MAX AMBIENT TEMPERATURE: 140°F(60°C)
UNIT WEIGHT: 0.20 • FREQUENCY: 60HZ
HOUSING: UL® 94-VO NON-FLAMMABLE • BLACK • ETL LISTED
Turns on 120 VAC devices when it senses input current.

MODEL: DRY04



Model #: DRY04
Centrax® 4" In-Line Centrifugal Fan
200 Free Air CFM, 77 Running Watts
0.65 Amps, 120 VAC, 60 Hz
Class B external rotor motor
Thermally protected auto reset
Ball bearing balanced ABS backward inclined impeller
MET® Listed to UL & CSA Standards for USA & Canada
5 Year Limited Warranty
4" Diameter
Made In USA
Primary UOM: EA

PERFORMANCE:

CFM	Watts	Amps	Volts	Hz	dBA	Sones	Weight
200	77	0.65	120	60	60	4	5.45lbs

HAZARDOUS MATERIAL INFO:

Not Applicable

CUSTOMS TARIFF CLASSIFICATION:

HS Code	Country of Origin	NAFTA Preference Criterion	NAFTA Producer Index
8414596060	USA		No

PACKAGING METRICS:

	UPC / SCC	WIDTH (in)	HEIGHT (in)	DEPTH (in)	WEIGHT (lbs)
Unit (1qty):	066028034007	11.00	13	11.00	8
Master Case (1qty):	40066028034005	11.00	13	11.00	8

MODEL: DRY04