



Seiho International, Inc.

SUBMITTAL SHEET

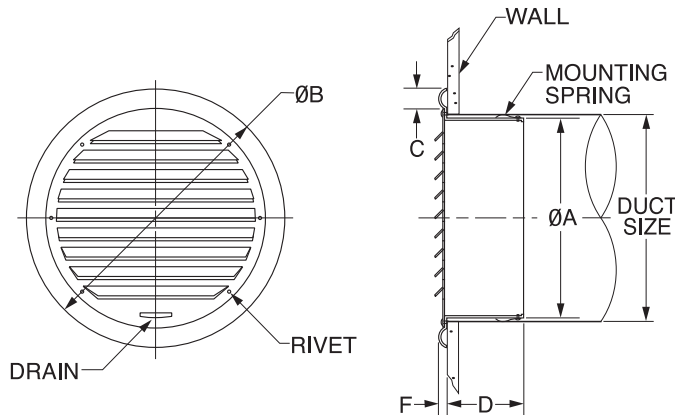
www.seiho.com

Model: SX

Aluminum Vent Cap

- Fresh Air Intake/Exhaust Outlet
- For Interior and Exterior Location
- Optional Insect Screen (SX-N)

- Material: Aluminum
- Standard Finish: Clear Anodized



| MODEL | DUCT SIZE | A | B | C | D | F | FREE AREA |
|-------|-----------|---------|---------|-------|---------|------|--------------|
| SX 3 | 3 | 2 29/32 | 4 13/16 | 19/32 | 1 3/8 | 9/32 | 0.02 sq. ft. |
| SX 4 | 4 | 3 13/16 | 5 23/32 | 19/32 | 1 21/32 | 9/32 | 0.04 sq. ft. |
| SX 5 | 5 | 4 3/4 | 6 21/32 | 19/32 | 1 25/32 | 9/32 | 0.05 sq. ft. |
| SX 6 | 6 | 5 23/32 | 8 | 25/32 | 2 3/4 | 9/32 | 0.08 sq. ft. |
| SX 7 | 7 | 6 11/16 | 8 31/32 | 25/32 | 2 3/4 | 9/32 | 0.11 sq. ft. |
| SX 8 | 8 | 7 11/16 | 10 | 25/32 | 2 31/32 | 9/32 | 0.14 sq. ft. |

Product information is subject to change without notice. All dimensions in inches.

JOB NAME: _____
 LOCATION: _____
 ARCHITECT: _____
 ENGINEER: _____
 CONTRACTOR: _____

SUBMITTED BY: _____

DATE: _____

Model SX
 Aluminum Vent Cap

Form No.400-22