

# Dryer Vents

Model: **SB & SFB**



Model: **SB**



Model: **SFB**

## MATERIAL

- Aluminum

## FINISH

- Clear Anodized
- Custom Colors Available

Exceptionally designed for exterior applications, the SFB and the SB are easy to install and have large openings to reduce clogging. Standard with flapper damper, it prevents outside air from back-drafting into the house through the dryer. Both models are suited to exhaust fan applications such as dryer, bathroom, or kitchen exhaust venting. The heavy-gage anodized aluminum construction is corrosion-resistant for years of service. Removable from ductwork for easy cleaning for dryer vent use.

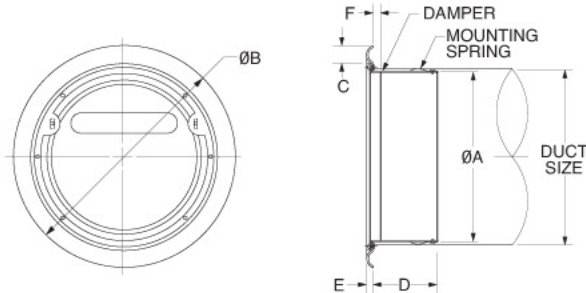
\*Note

No louver manufacturer warrants their louver to prevent water penetration under all possible circumstances of wind and rain.

## FEATURES

- With Back-Draft Flapper Damper
- Large Free Area Reduces Clogging
- Aluminum Construction
- Anodized Finish for Corrosion Protection

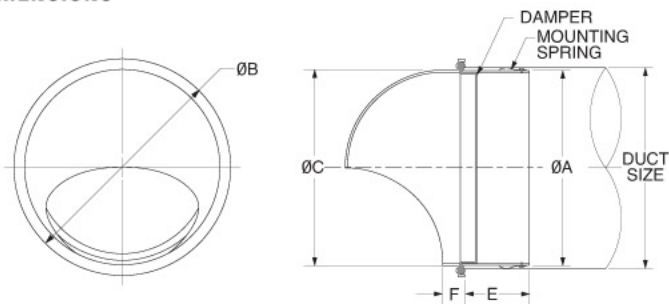
## MODEL SB DIMENSIONS



MODEL	DUCT SIZE	A	B	C	D	E	F	FREE AREA
SB 4	4"	3 13/16	5 23/32	19/32	1 21/32	9/32	TBA	TBA
SB 6	6"	5 23/32	8	25/32	2 3/4	9/32	3/4	0.14sq.ft

Product information is subject to change without notice. All dimensions in inches.

## MODEL SFB DIMENSIONS



MODEL	DUCT SIZE	A	B	C	D	E	F	G	FREE AREA
SFB 4	4"	3 13/16	4 3/4	3 25/32	2 11/16	1 9/16	9/16	TBA	TBA
SFB 6	6"	5 23/32	6 29/32	5 29/32	3 15/16	2 9/16	3/4	3/4	0.13sq.ft

Product information is subject to change without notice. All dimensions in inches.

