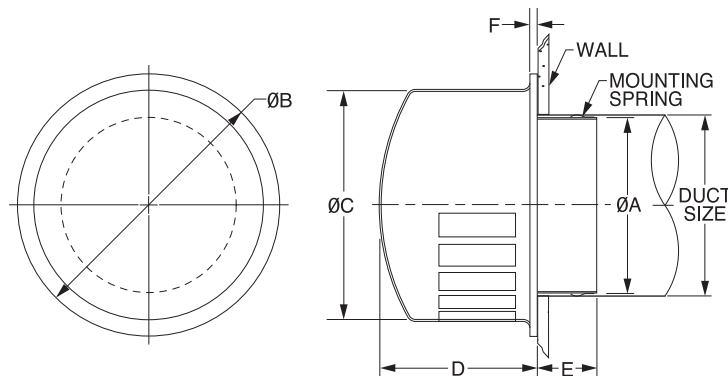


Model: RCA-S

Dryer Vent

- Large Vents Reduce Clogging
- Weather Resistant

- Material: Stainless Steel
- Standard Finish: Polished



MODEL	DUCT SIZE	A	B	C	D	E	F	FREE AREA
RCA 4S	4	3 25/32	6 1/2	5 1/2	3 3/4	1 9/16	1/4	0.08 sq. ft.
RCA 6S	6	5 23/32	8 17/32	7 15/32	5 1/8	1 31/32	1/4	0.18 sq. ft.

Product information is subject to change without notice. All dimensions in inches.

JOB NAME: _____
 LOCATION: _____
 ARCHITECT: _____
 ENGINEER: _____
 CONTRACTOR: _____

SUBMITTED BY: _____

DATE: _____

Model RCA-S
 Dryer Vent

Form No.440-22