

# PRIMEX HVAC VENTING

## Product Specification Sheet

PRODUCT  
MODEL CODE

# WG Series

Adjust-A-Vent Ceiling Diffusers

### 1. PRODUCT SUMMARY

The Primex Adjust-A-Vent Ceiling Diffusers (WG Series) are durable, adjustable air supply or exhaust vents.

This ceiling or wall mountable series provides whisper quiet airflow in an unobtrusive and aesthetically pleasing housing.

Pair it with the diffuser sleeve (DS Series) or the EB4x90 for simple, accurate installation.

### 2. FEATURES & BENEFITS

- Dual flow: whisper quiet air supply or exhaust with lock nut to fine tune air flow from 0-100%.
- Strong stainless steel grip clip provides snug fit.
- Extra thick foam gasket allows for tight seal on uneven surfaces and provides quiet air flow.
- Extra long collar simplifies installation (WG401XB).
- Long-lasting durability with impact resistant, Polymer resin.
- WG401 vent (with shorter collar) is compatible with Primex's squeeze elbow accessory EB4x90.
- Easy to install and remove.

### 3. COLOURS

- Snow White (01)

### 4. PART NUMBER

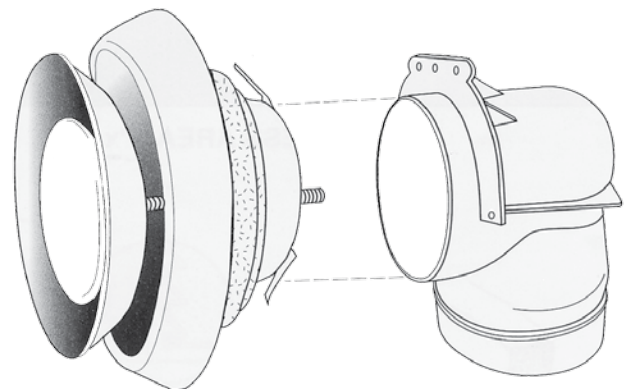
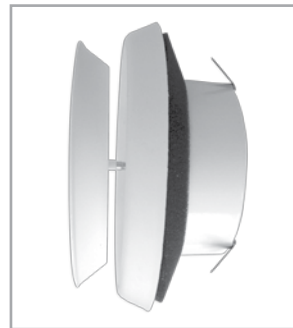
Part #	Size	Free Area	Description	Pkg
WG401	4"	5.5 sq. in.	Shorter collar for use w/EB4x90	25/box
WG401XB	4"	5.5 sq. in.	Adjustable diffuser	25/box
WG501	5"	9.9 sq. in.	Adjustable diffuser	25/box
WG601	6"	11.4 sq. in.	Adjustable diffuser	25/box



WG401

WG501

WG601



WG401

EB4x90

Installation using Primex's 'Squeeze Elbow'

#### FOR MORE INFORMATION CONTACT:

20160 92A Avenue Langley BC V1M 3A4 Canada  
 1.877.881.7875 info@primexfits.com primexfits.com

**primex**  Fit everything. Together.