



TMA54-EXT1

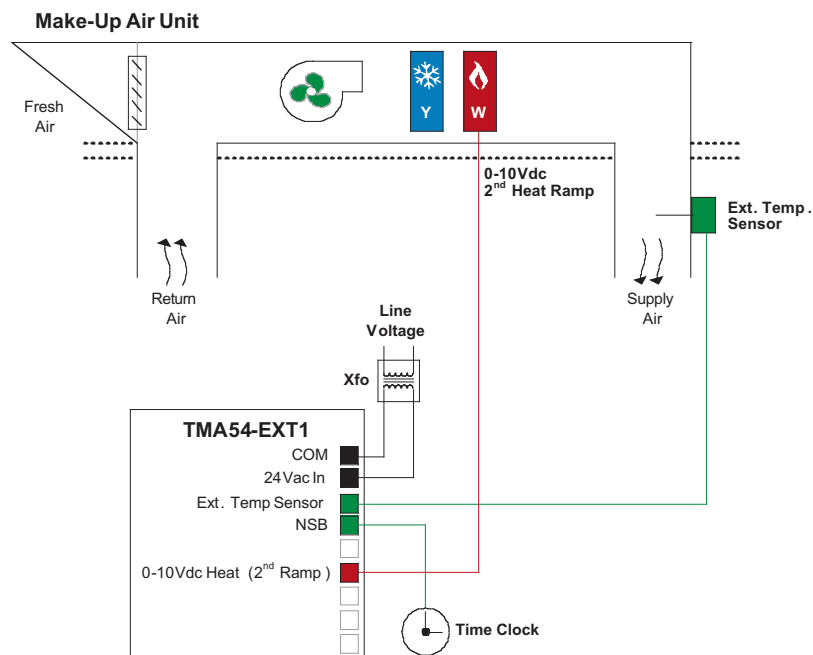
The TMA54-EXT1 thermostat is designed for controlling an electric heater in a make-up air unit. This unit features a fully configurable Proportional-Integral-Derivative (PID) and can connect up to 5 outputs at one time:

- 2 heating ramps
- 2 cooling ramps
- TPM

The TMA54-EXT1 is a fully configurable controller. It complements the Neptronic® family of products which includes electronic actuators and actuated valves, electric duct heaters and other controls.



Typical Application





Features

- Configurable proportional-integral-derivative (PID)
- 2 Analog cooling outputs (0-10Vdc)
- 2 Analog heating outputs (0-10Vdc)
- TPM output (time proportional output)
- Selectable internal/external temperature sensor
- Manual Night Set Back (NSB) input
- NSB override
- Configurable NSB cooling and heating setpoints
- Lockable setpoint
- Lockable control mode
- Fahrenheit or Celsius
- Offset for temperature reading adjustment
- Main supply 24Vac

Display

	Cooling ON A: Automatic
	Heating ON A: Automatic
	Energy saving mode ON
	Minimum/Maximum set points
	Programming mode
	Menu set-up lock ON
	°C: Celsius scale °F: Fahrenheit scale

Specifications

Power supply	22 to 26 Vac 50/60Hz
Power consumption	2 VA
Setpoint range	10°C to +35°C [50°F to 95°F]
Outputs	- 2 Analog Cooling outputs (0-10Vdc) - 2 Analog Heating outputs (0-10Vdc) - 0 or 22 Vdc, TPM, 250 mA max. 10kΩ type 3
Ext. Temp. Sensor	-40°C to 100°C [-40°F to 212°F]
Proportional band	0.5 °C to 20°C [1 °C to 68°F]
Control accuracy	Temperature: +/-0.2°C [0.4°F]
Operating temperature	0°C to +50°C [32°F to +122°F]
Storage temperature	-30°C to +50°C [-22°F to +122°F]
Relative Humidity	5 to 95 % non condensing
Enclosure	IP 30 to EN 60529
Weight	85 g. [0.2 lb]

Dimensions

