

Features:

- High accuracy
- Fast thermal response
- Epoxy encapsulated sensor
- High stability
- Long life
- Resistor/Temperature Curve "G" matched (STC8-11, 10 K Ω)
- Resistor/Temperature Curve "A" matched (STC8-13, 3.3 K Ω)

STC8-11
STC8-13

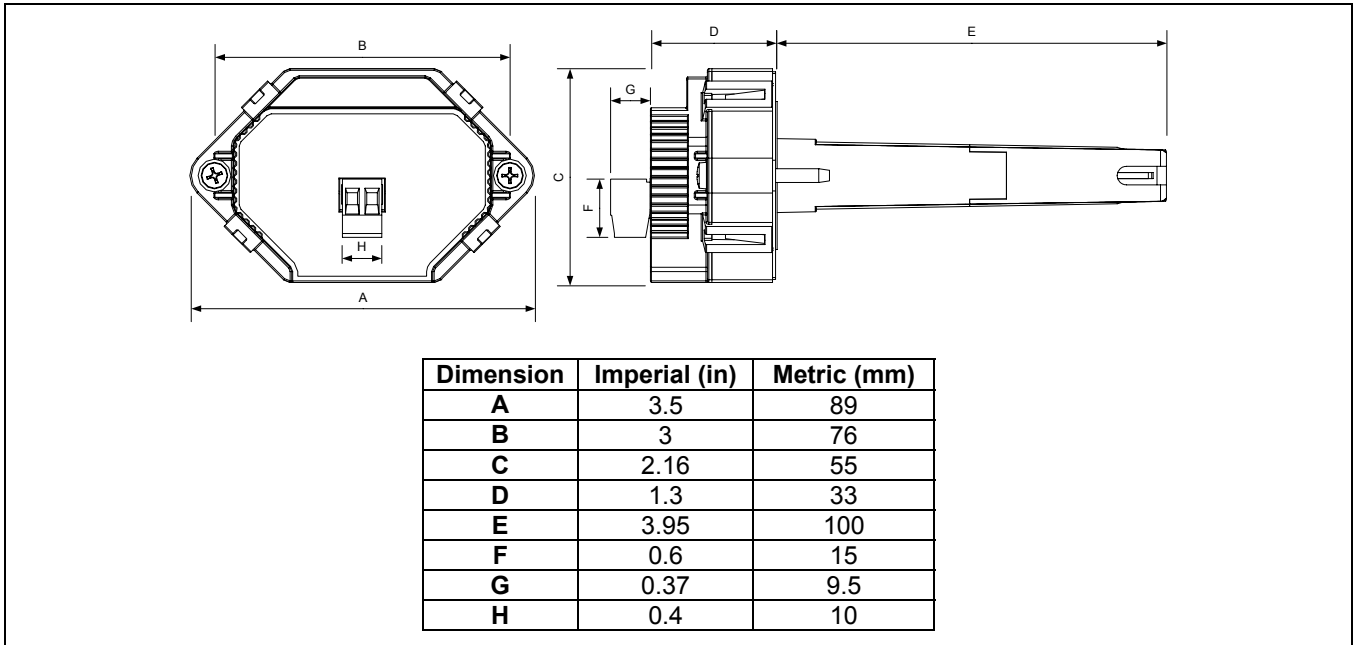
Technical Data	STC8-11
Description	Duct sensor for remote temperature reading. Can be used with a temperature controller TRO, TFC, TFH, TFP, EFC or EVC from Neptronic®
Sensor	NTC (negative temperature coefficient)
Resistor @ 25°C	10 K Ω (β 0-50 = 3575)
Dissipation constant	1 mW/°C
Maximum power rating	30 mW at 25°C derated to 1 mW at 125°C
Tolerance	\pm 0.2°C from 0°C to 70°C (32°F to 158°F)
Operating temperature	-40°C to 80°C (-40°F to 176°F)

Technical Data	STC8-13
Description	Duct sensor for remote temperature reading. Can be used with a temperature controller TRO, TFC, TFH, TFP, EFC or EVC from Neptronic®
Sensor	NTC (negative temperature coefficient)
Resistor @ 25°C	3.3 K Ω
Tolerance	\pm 2°C from 2°C to 35°C (35°F to 95°F)
Operating temperature	-40°C to 80°C (-40°F to 176°F)

Sensor table

STC8-11 (10 K Ω)		STC8-13 (3.3 K Ω)	
Temperature	Resistor K Ω	Temperature	Resistor K Ω
-40 °C [-40°F]	239.700	-40 °C [-40°F]	110.914
-35 °C [-31°F]	179.200	-35 °C [-31°F]	80.036
-30 °C [-22°F]	135.200	-30 °C [-22°F]	58.384
-25 °C [-13°F]	102.900	-25 °C [-13°F]	43.034
-20 °C [-4°F]	78.910	-20 °C [-4°F]	32.037
-15 °C [5°F]	61.020	-15 °C [5°F]	24.078
-10 °C [14°F]	47.540	-10 °C [14°F]	18.262
-5 °C [23°F]	37.310	-5 °C [23°F]	13.972
0 °C [32°F]	29.490	0 °C [32°F]	10.779
5 °C [41°F]	23.460	5 °C [41°F]	8.383
10°C [50°F]	18.780	10°C [50°F]	6.569
15°C [59°F]	15.130	15°C [59°F]	5.186
20°C [68°F]	12.260	20°C [68°F]	4.123
25°C [77°F]	10.0	25°C [77°F]	3.3
30°C [86°F]	8.194	30°C [86°F]	2.658
35°C [95°F]	6.752	35°C [95°F]	2.154
40°C [104°F]	5.592	40°C [104°F]	1.757
45°C [113°F]	4.655	45°C [113°F]	1.441
50°C [122°F]	3.893	50°C [122°F]	1.188
55°C [131°F]	3.271	55°C [131°F]	0.985
60°C [140°F]	2.760	60°C [140°F]	0.820
65°C [149°F]	2.339	65°C [149°F]	0.687
70°C [158°F]	1.990	70°C [158°F]	0.578
75°C [167°F]	1.700	75°C [167°F]	0.488
80°C [176°F]	1.458	80°C [176°F]	0.414

Dimensions



Recycling at end of life



At end of life, please return the thermostat to your Neptronic® local distributor for recycling. If you need to find the nearest Neptronic® authorized distributor, please consult www.neptronic.com.