

### Model

**SHR10**

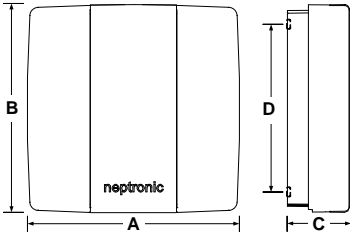
### Features

- Wall mounted humidity sensor
- Built-in temperature sensor
- Plastic cover for wall mount installation
- 2 analog outputs (0-10 Vdc)
- Can be installed in association with Neptronic room (HRO20) humidistat or directly to the Neptronic SK300 / SKE Series Steam humidifier (rev 3.3)



**SHR10**

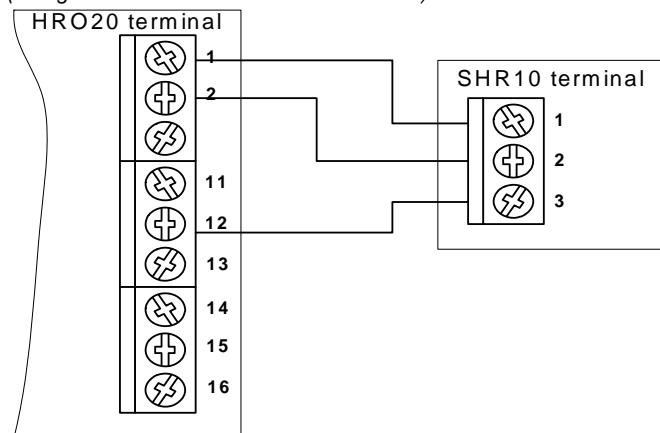
### Technical Specifications

| Description  | SHR10   |
|--|---|
| Power supply   | 24 Vac or Vdc +/-10%  |
| Power consumption  | 1 VA  |
| Electrical connection  | 18 AWG minimum  |
| Actual humidity output   | 0-10 Vdc (0-100% RH)  |
| Actual temperature output  | 0-10 Vdc (0-100°C)  |
| Sensor precision   | +/- 3% or better at 40% RH and 73°F [23° C]   |
| Operating temperature  | 32°F to 104°F [0° C to 40° C]   |
| Storage temperature  | 14°F to 122°F [-10° C to +50° C]  |
| Relative Humidity  | 0 to 95 % RH  |
| Weight   | 0.13 lb [60 g]  |
| Dimensions<br>A = 3.00"   78mm<br>B = 3.00"   78mm<br>C = 1.00"   24mm<br>D = 2.36"   60mm |  |

### Wiring Diagrams

#### Connection to HRO20

(Along with SK300 or SKE series Humidifier)



**NOTE:** When using the HRO20 with a remote sensor, the remote set point feature will be disabled on the HRO20.

#### Connection to SK300 / SKE

