

42 Series



ELECTRONIC FAN/LIGHT WALL BOX TIME SWITCH

The MARKTIME® 42 Series of fan/light time switch controls is M.H. Rhodes' exclusive line of electronic wall box time controls. This switch is designed for demanding applications that require operation of both incandescent and motor loads via ONE SWITCH such as with an exhaust fan up to 1/3 hp. and a light or heat lamp up to 500 watts.

The MARKTIME® 42 Series turns a fan and light "on" at the same time. When the switch is actuated down to the "timer" position, the light turns "off" and the fan remains "on" for a predetermined period of time up to 60 minutes.

The 42 Series timers are available with either a 2-position ("on" and "timed fan") or 3-position ("on", "off" and "timed fan") switch and standard colors of white and ivory.

APPLICATIONS

The MARKTIME® 42 Series fan/light time switch has been designed to use one control switch and time feature in bathrooms, conference rooms, schools, offices, hotels, and motels. They can be used in many applications in combination with exhaust fans, lights, and heat lamps, whether in residential, commercial, or industrial environments.

FEATURES

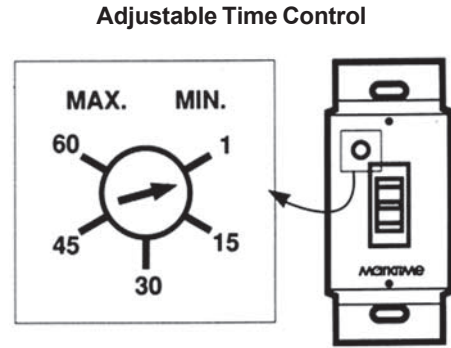
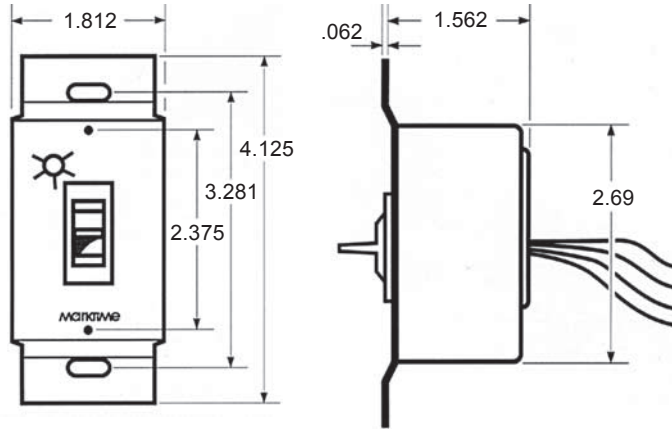
- Rugged construction for residential or commercial use
- Life expectancy of over 50,000 cycles
- Uses standard wall plate - single or multi-ganged (not included)
- One switch controls both fan and light eliminating the need for two individual switches
- Includes all necessary mounting and installation hardware
- Silent operation
- Saves energy by automatically turning fan "off"
- Solid state electronic components for long life
- Two position switch . . . On/Timed Fan
- Three position switch . . . On/Off/Timed Fan

M.H. Rhodes
 105 Nutmeg Road South
 South Windsor, CT 06074

Tel: (860) 291-8402
 Fax: (860) 610-0897
www.mhrhodes.com

| ORDERING PART NO. | SWITCHING |
|-------------------|---------------------|
| 42517 | 2 - Position, White |
| 42513 | 2 - Position, Ivory |
| 42507 | 3 - Position, White |
| 42503 | 3 - Position, Ivory |

SPECIFICATIONS AND RATINGS

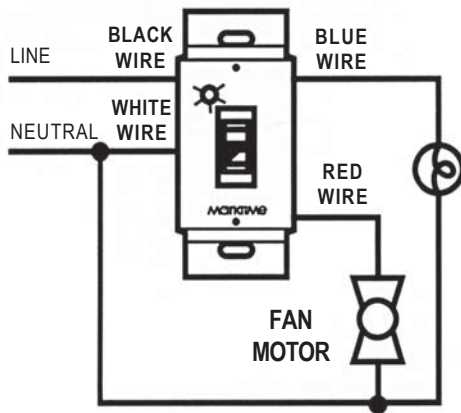


With small screwdriver turn timeset to desired time delay.

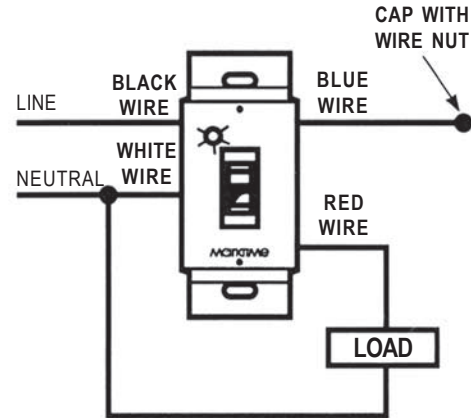
| RATINGS | |
|-----------------------|--|
| Input Voltage | 120 VAC |
| Output Ratings | 1/3 hp (7.5 amp max.) motor load; 500 watts incandescent |
| Operating Temperature | 32°F to 158°F (0°C to 70°C) |

WIRING DIAGRAMS

Light and Fan Application



Timed Load Application



MarkTime®

Brand of Energy Saving Products

Complete line of wall box timers, fan/light switches, solid state timers, professional bell and time switches, and programmable digital timers.

