

## EC-OP 230V

### GB INTRODUCTION

This instruction sheet provides you with the information required to safely own and operate your Little Giant pump. Retain these instructions for future reference.

The Little Giant pump you have purchased is of the highest quality workmanship and material, and has been engineered to give you long and reliable service. Little Giant pumps are carefully tested, inspected, and packaged to ensure safe delivery and operation. Please examine your pump carefully to ensure that no damage occurred during shipment. If damage has occurred, please contact the place of purchase. They will assist you in replacement or repair, if required.

**READ THESE INSTRUCTIONS CAREFULLY BEFORE ATTEMPTING TO INSTALL, OPERATE, OR SERVICE YOUR LITTLE GIANT PUMP. KNOW THE PUMP'S APPLICATION, LIMITATIONS, AND POTENTIAL HAZARDS. PROTECT YOURSELF AND OTHERS BY OBSERVING ALL SAFETY INFORMATION. FAILURE TO COMPLY WITH THESE INSTRUCTIONS COULD RESULT IN PERSONAL INJURY AND/OR PROPERTY DAMAGE!**

### SAFETY GUIDELINES



**SHUT OFF ELECTRICAL POWER AT FUSE- OR BREAKER-BOX BEFORE ATTEMPTING TO SERVICE, DISCONNECT CONNECTOR, OR REMOVE ANY COMPONENT!**

Do not use to pump flammable or explosive fluids such as gasoline, fuel oil, kerosene, etc. Do not use in explosive atmospheres.

Do not handle unit with wet hands or when standing on wet or damp surface or in water.

In any installation where property damage and/or personal injury might result from an inoperative or leaking pump due to power outages, discharge line blockage, or any reason, a backup system(s) and/or alarm should be used.

Support pump and piping when assembling and when installed. Failure to do so may cause piping to break, pump to fail, etc.

The pump unit is not submersible and must be installed so that water cannot be splashed, sprayed, or dripped onto it. Place the pump in an area where there is no danger of ingress of water.

### DESCRIPTION

The Little Giant EC-OP is an automatic condensate removal system, removing the water that drips from a split-system air conditioner evaporative coil when gravity drainage is not possible. Even where gravity drainage is possible, the EC-OP may be a better choice, allowing the freedom to route the drain line to where you want it and eliminating the worries of a clogged or air-locked drain line.

The EC-OP is suitable for most split-system A/C units up to 10KW, but the amount of condensate produced by an air conditioner is dependent on the properties of the inside and outside air and the characteristics of the air conditioner used. Check with the air conditioner manufacturer for the amount of condensate that will be produced for a given application.

This unit allows air handlers to be located away from water drains, because the condensate can be pumped to a common drain a distance away. The EC-OP is to be mounted below or beside the air handler. It operates automatically using a float/switch device inside the water collection reservoir that turns the pump on when approximately 20mm of water collects in the reservoir, and turns the pump off when the reservoir drains to approximately 15mm.

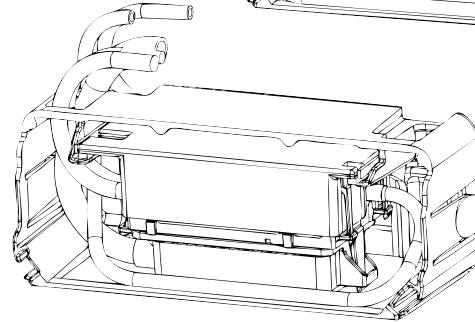
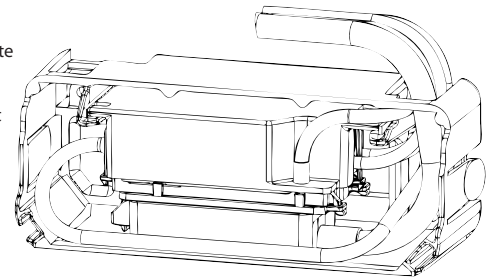
### INSTALLATION PROCEDURES



**Installing the EC-OP-K (pump, base plate, and wall cover) beneath a wall mount air handler using the supplied template. NOTE: It is not necessary to remove the pump from the base plate to perform this procedure.**

1. Locate a suitable position for the base plate, under the air handler with access to a knock-out or hole in the bottom of the air handler.
2. Place the supplied alignment template underneath the air handler so that the words "Knockout Location, path for wires and tubing" are aligned with the access opening of the air handler.
3. Mark the screw hole locations and remove the template. Using a level, ensure the two mounting holes are level within +/- 10 degrees.
4. If using the supplied wall anchors, drill a 5mm hole 26mm deep at each point marked on the wall, then insert an anchor fully into each hole. **NOTE:** The pump is configured for right-side access. If installing for left-side access, pull the pump, wires, and tubing straight out from the base plate, rotate the assembly, and re-route the wires and tubing up through the left-hand hole in the top of the base plate.
5. Position the pump/base plate assembly beneath the air handler so that the pump's electrical wires and tubing can pass into the air handler access openings, either right-side or left-side. **DO NOT ATTACH THE PUMP/BASE PLATE ASSEMBLY TO THE WALL AT THIS POINT.**
6. Insert the pump electrical wires and tubing into the air handler access opening.

Right-side access  
Acceso del lado derecho  
Zugang von der rechten Seite  
Accès côté droit  
Accesso lato destro  
Toegang aan de rechterkant



Left-side access  
Acceso del lado izquierdo  
Zugang von der linken Seite  
Accès côté gauche  
Accesso lato sinistro  
Toegang aan de linkerkant

7. Using the supplied screws, attach the pump/base plate assembly to the wall.
8. **DISCHARGE TUBING:** Route the clear, 100cm long, 4mm I.D. discharge tubing through the air handler and to an inside drain, or along the refrigeration lines to an outside drain. Use extra tubing, if necessary. Use the supplied 4mm to 6mm adapter to connect to 1/4" braided tubing, if necessary. Do not extend the discharge tubing more than 9m above the level of the pump. To prevent a siphoning effect, do not extend the end of the discharge tubing more than 1m below the level of the pump. Ensure that there are no kinks or breaks in the discharge tubing.
9. **VENT TUBING:** Route the clear, 20cm long, 4mm I.D. vent tubing upward into the body of the air handler, ensuring that it is not kinked or blocked. Do not remove, cut off, shorten, twist, or sharply bend the vent tube. Do not connect this tube to the air handler; it is for venting only.
10. Inspect the air conditioner coil and remove any foreign material that might fall into the drain/drip tray and enter the pump reservoir. Rinse the coil and drain/drip tray to remove any foreign material before connecting the EC-OP inlet tubing. **FAILURE TO DO SO MAY CAUSE PREMATURE FAILURE OF THE PUMP AND/OR DAMAGE TO PROPERTY.**
11. **INLET TUBING:** Connect the black, 8mm I.D. inlet tubing to the air handler drain hose. If the drain hose has hard plastic connector, it may be necessary to cut the hose and remove the connector. Connect the small end of the supplied adapter to the inlet tubing, and the large end to the drain hose. The adapter fits 16mm, 18mm, 22mm, or 24mm I.D. drain hose. Use a hose clamp or Jubilee® Clip to secure the drain hose to the adapter.
12. After connecting the discharge, vent, and inlet tubing, ensure that the pump remains positioned correctly on the base plate.
13. Align the guides of the wall cover with the guides of the base plate, then push the cover onto the base plate until it snaps into place. (To remove the cover, depress the snaps on both sides of the cover and pull it forward.)

### Installing the EC-OP (pump only)

1. Install the pump so that the reservoir is below the air handler drain and can be gravity-fed by condensate water from the air handler's drip tray.
2. **THE EC-OP PUMP IS NOT SUBMERSIBLE.** Ensure that it is located where water can not be splashed, sprayed, or dripped onto it.
3. For correct operation the pump must be installed in a level position. Use care to ensure the pump will remain level throughout its operating life. If not positioned within +/- 10 degrees of level, the automatic float operation may fail and cause the pump to overflow.
4. The float in the reservoir contains a magnet. Ensure that the reservoir is located at least 6mm from any metallic surface to ensure that the float operates correctly.
5. **DISCHARGE TUBING:** Route the clear, 100cm long, 4mm I.D. discharge tubing to an inside drain, or along the refrigeration lines to an outside drain. Use extra tubing, if necessary. Use the supplied 4mm to 6mm adapter to connect to 1/4" braided tubing, if necessary. Do not extend the discharge tubing more than 9m above the level of the pump. To prevent a siphoning effect, do not extend the end of the discharge tubing more than 1m below the level of the pump. Ensure that there are no kinks or breaks in the discharge tubing.
6. **VENT TUBING:** Install the clear, 20cm long, 4mm I.D. vent tubing in an upward position, ensuring that it is not kinked or blocked and that it will remain in an upward position during the operating life of the pump. Do not remove, cut off, shorten, twist, or sharply bend the vent tube.
7. Inspect the air conditioner coil and remove any foreign material that might fall into the drain/drip tray and enter the pump reservoir. Rinse the coil and drain/drip tray with an approved air conditioner coil-cleaning product to remove any foreign material before connecting the EC-OP reservoir. **FAILURE TO DO SO MAY CAUSE PREMATURE FAILURE OF THE PUMP AND/OR DAMAGE TO PROPERTY.**
8. **INLET TUBING:** Connect the black, 8mm I.D. inlet tubing to the air conditioner condensate drain. If the drain hose has hard plastic connector, it may be necessary to cut the hose and remove the connector. Connect the small end of the supplied adapter to the inlet tubing, and the large end to the drain hose. The adapter fits 16mm, 18mm, 22mm, or 24mm I.D. drain hose. Use a hose clamp or

Jubilee® Clip to secure the drain hose to the adapter. If the condensate drain has a metal drain port, such as on a fan coil, use the supplied adapter and connect it to the drain connector using a flexible hose (not supplied).

**Installation notes (all models):**

- The end of the discharge tubing must be located no lower than 1m below the pump reservoir. Otherwise, a siphon effect may occur causing the pump to lose its prime. This would cause the pump to re-prime itself during each cycle, resulting in noisy operation and shortened pump life.
- DO NOT locate the pump near insulation or other flammable material.
- Ensure that there are no sharp bends or kinks in any of the tubing. Keep all tubing and wires clear of moving parts in the air handler.
- See performance curve for typical pump flow rate and maximum amount of condensate that can be removed for any given discharge head. Maximum horizontal run is dependent on the diameter of tubing used and the vertical lift. The performance charts show typical values; actual values may vary slightly from pump to pump. The system designer should apply a reasonable factor of safety and size the pump to handle a greater flow rate than the maximum condensate to be produced.
- Upon completion of the installation, test the pump and all connections, observing that water is being pumped to the discharge point.

**ELECTRICAL CONNECTIONS**



**BEFORE CONNECTING POWER LEADS, SHUT OFF ELECTRICAL POWER AT FUSE- OR BREAKER-BOX. ALL WIRING MUST COMPLY WITH LOCAL ELECTRICAL AND BUILDING CODES, AS WELL AS THE MOST CURRENT NATIONAL ELECTRIC STANDARDS. CHECK CONTROL UNIT LABEL FOR PROPER VOLTAGE REQUIRED. DO NOT CONNECT TO VOLTAGE OTHER THAN THAT SHOWN ON PUMP LABEL.**

The EC-OP is designed to be used with an earth-grounding conductor. To reduce the risk of electrical shock, connect the earth lead to a properly-grounded circuit. The use of a ground fault circuit interrupter is recommended. All wiring should be performed by a qualified installer approved by local regulations and National Standards.

For best performance, connect the pump to a separate circuit with power cut-off from the air conditioner. The control unit/pump must be connected to a constant power supply, not an intermittent source such as a fan or limit control circuit.

1. **POWER SUPPLY:** Attach the electrical wires from the pump to the 230V power supply of the air handler or to the mains supply. The power leads are color-coded BLUE = neutral, BROWN = live (phase), and GREEN/YELLOW = earth (ground).
2. A 0.20 Amp fuse (purchased separately) should be fitted in the power cable supplying the pump unit.
3. **SAFETY SWITCH:** The unit is equipped with a high-water or overflow safety switch with a maximum rated switching current (resistive load) of 8 amps at 250 VAC or 5 amps at 30 VDC. This circuit is intended to drive a low power control or alarm circuit and is not sufficient to operate and switch a large-amperage inductive load. Connect the wires as described below to obtain the desired response. The safety switch wires are color coded GREY = common, ORANGE = normally open, and PURPLE = normally closed. NOTE: On some units the color coding is visible only at the end of the supplied wire and does not extend the entire length of the wire. Use caution if cutting the wires to a shorter length.
4. **CONNECTING TO C AND NC (NORMALLY CLOSED) WIRES:** When a high-water or overflow condition occurs, the normally closed circuit opens to turn off the compressor, thus stopping the flow of condensate water. This is typically done by breaking the common leg of the low-voltage thermostat. Check with the air conditioner manufacturer to confirm that this is acceptable for the air conditioner in the application. If acceptable, confirm which thermostat wire is to be interrupted. This connection can also be used with central environmental control systems to control the air conditioner operation. NOTE: When connected in this manner, if a high water condition occurs, the air conditioner should not run until the high-water condition is fixed. This method should not be used if the cooling or heating requirements are a necessity. The alarm method (normally open circuit) should be used instead.
5. **CONNECTING TO C AND NO (NORMALLY OPEN) WIRES:** When a high-water or overflow condition occurs, the normally open circuit closes to activate a bell or alarm (not provided, purchased separately), or to send a signal to a central environmental control system. NOTE: When connected in this manner, if a high water or overflow condition occurs, the air conditioner is not shut down and may continue to produce condensation, creating a potential overflow condition and risk of flooding until the high water condition is fixed.
6. **TESTING THE SAFETY SWITCH OPERATION:** After the installation is complete and power has been restored to the air conditioner and control unit/pump, turn on the air conditioner, then pour water into the drain tray of the air handler until the pump energizes. NOTE: Do not continue to pour water if an overflow condition (flooding) is imminent.
7. Continue to pour water into the drain tray until the high water/overflow safety switch activates. If the safety switch is wired to the normally closed configuration described above, the air conditioner should turn off. It should remain off until the pump lowers the water level in reservoir to the off position.
8. If the safety switch is wired to the normally open configuration described above, the alarm or bell should sound. The alarm or bell should continue to sound until the pump lowers the water level in reservoir to the off position.
9. Stop pouring water into the drain tray. When the pump has removed enough of the water to allow the high-water safety switch to deactivate, the air conditioner should come on or the alarm or bell should stop sounding, depending on the configuration used.

**SERVICING INSTRUCTIONS**

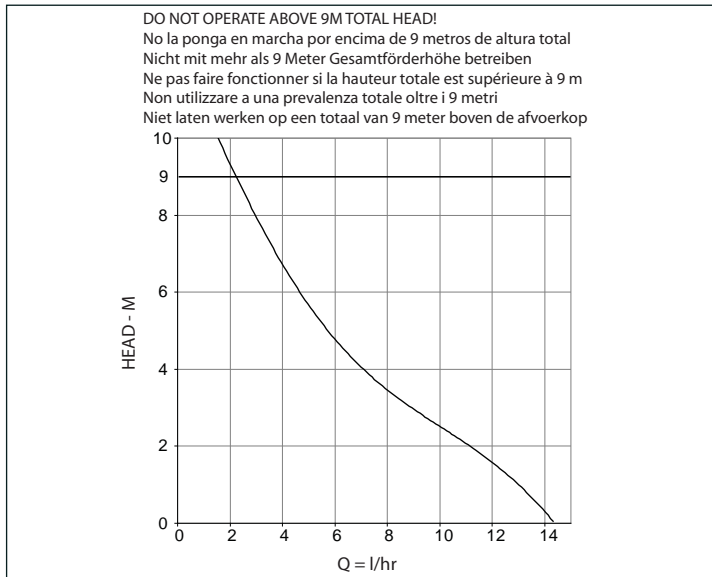


**ENSURE THAT THE UNIT IS DISCONNECTED FROM THE POWER SOURCE BEFORE ATTEMPTING TO SERVICE OR REMOVE ANY COMPONENTS.**

The reservoir tank should be inspected and cleaned when air conditioner is serviced and at the beginning of each season. Every application is different, and the filter's service interval will depend upon the cleanliness of the condensate water being filtered.

To clean the reservoir, carefully unlatch the reservoir from the pump unit; the reservoir will rotate down and disengage from the pump. Remove the mesh screen and rinse under running water. Use a damp rag to remove dust or debris from the reservoir. The float should stay in place on the pump unit. Ensure there is no build-up around the float and that the float can move up and down easily with the level of water. If the float falls off, simply reassemble the float onto the pump unit. When reassembling, ensure that the beveled edge of the float is up and the magnet is at the top. Rotate the spring clip as it is reassembled to lock it into the notch on the end of the pump unit post.

There are no user-serviceable parts inside the pump. The warranty is limited to replacement only and will be void if the pump is tampered with. Any repair on the pump must be done by an authorized Little Giant service center.



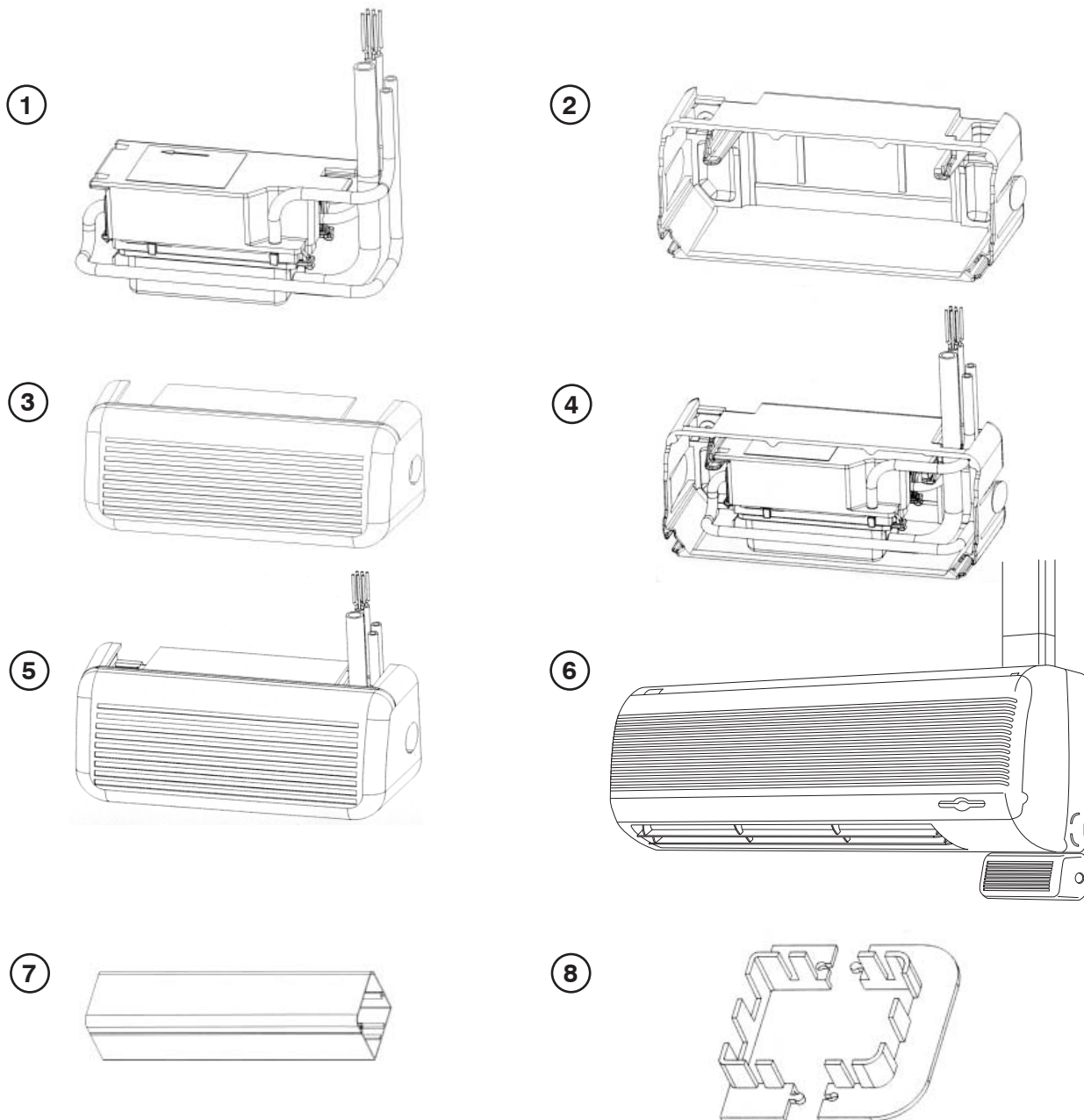
Typical Flow (liters/hour) \* Caudal típico (litros/hora) \* Typisches Fließvolumen (Liter/Stunde) \* Débit typique (litres/heure) \* Flusso tipico (litri/ora) \* Typische debiet (liter/uur)

Lift Elevación Förderhöhe Levée Alzata Opvoerhoogte (meters)	Length of tubing (4mm I.D.) * Longitud de la tubería (4mm de D.I.) * Schlauchlänge (4mm Innendurchmesser) * Longueur de tuyau (diam. int. de 4mm) * Lunghezza della tubazione (diametro interno di 4mm) * Slanglengte (4mm binnendiameter)			
	5m	10m	20m	30m
0	13.4	12.6	10.8	9.2
1	12.3	11.7	10.5	9.3
2	9.3	8.9	8.2	7.6
3	7.5	7.4	7.1	6.8
4	6.4	6.3	6.1	5.9
5	5.2	5.2	5.0	4.9
6	4.3	4.3	4.2	4.1

Typical Flow (liters/hour) \* Caudal típico (litros/hora) \* Typisches Fließvolumen (Liter/Stunde) \* Débit typique (litres/heure) \* Flusso tipico (litri/ora) \* Typische debiet (liter/uur)

Lift Elevación Förderhöhe Levée Alzata Opvoerhoogte (meters)	Length of tubing (6mm I.D.) * Longitud de la tubería (6mm de D.I.) * Schlauchlänge (6mm Innendurchmesser) * Longueur de tuyau (diam. int. de 6mm) * Lunghezza della tubazione (diametro interno di 6mm) * Slanglengte (6mm binnendiameter)			
	5m	10m	20m	30m
0	14.1	13.8	13.2	12.7
1	12.8	12.6	12.1	11.7
2	9.5	9.3	9.0	8.8
3	7.6	7.5	7.3	7.1
4	6.4	6.4	6.3	6.2
5	5.3	5.2	5.2	5.1
6	4.3	4.3	4.3	4.2

**FIGURES • FIGURAS • ABBILDUNGEN  
FIGURES • FIGURE • AFBEELDINGEN**



	<b>FIGURE DESCRIPTIONS</b>	<b>DESCRIPCIONES DE LAS FIGURAS</b>	<b>ABBILDUNGSBESCHREIBUNGEN</b>	<b>DESCRIPTION DES FIGURES</b>	<b>DIDASCALIE</b>	<b>BESCHRIJVING BIJ AFBEELDINGEN</b>
1.	EC-OP pump	Bomba EC-OP	EC-OP-Pumpe	Pompe EC-OP	Pompa EC-OP	EC-OP-pomp
2.	Base plate	Placa base	Bodenplatte	Plaque de base	Piastra di base	Grondplaat
3.	Wall cover	Tapa de pared	Wandabdeckung	Couvercle mural	Copertura parete	Muurplaat
4.	Pump (cover removed)	Bomba sin tapa	Pumpe ohne Abdeckung	Pompe sans le couvercle	Pompa con la copertura rimossa	Pomp met dekplaat verwijderd
5.	Pump (cover attached)	Bomba con tapa	Pumpe mit Abdeckung	Pompe avec le couvercle	Pompa con la copertura fissata	Pomp met dekplaat bevestigd
6.	Covered pump affixed under air handler	Bomba tapada conectada debajo del manejador de aire	Unter Luftsystem montierte abgedeckte Pumpe	Pompe couverte fixée sous le dispositif de traitement d'air	Pompa con la copertura fissata sotto l'unità di trattamento dell'aria	Pomp met dekplaat bevestigd onder luchtverwerker
7.	Trunking (30cm)	Interconexión de 30cm	30cm lange Hauptleitung	Gainage de 30cm	Supporto da 30cm	Distributieonderdeel van 30cm
8.	Flat rosette ceiling plate	Placa de techo de roseta plana	Deckenplatte mit flacher Rosette con rondella plana	Plaque de plafond plate en rosette	Piastra per montaggio a soffitto	Platte rozetplafondplaat

# INTRODUCCIONES

Esta hoja de instrucciones le proporciona la información requerida para tener y operar de forma segura su producto Little Giant. Guarde las instrucciones para referencia futura.

El producto Little Giant que ha adquirido se fabrica utilizando mano de obra y materiales de la más alta calidad y ha sido diseñado para prestarle un servicio duradero y confiable. Los productos Little Giant son cuidadosamente probados, inspeccionados y empaquetados para garantizarle una entrega y operación seguras. Examine su unidad cuidadosamente para asegurarse de que no haya ocurrido ningún daño durante el transporte. Si se ha presentado algún daño, comuníquese con el lugar de compra. Deberán darle asistencia para obtener la reparación o reemplazo, si se requiere.

**LEA ESTAS INSTRUCCIONES CUIDADOSAMENTE ANTES DE INTENTAR INSTALAR, HACER FUNCIONAR O PRESTAR SERVICIO TÉCNICO A SU PRODUCTO LITTLE GIANT. CONOZCA CUÁLES SON LAS APLICACIONES, LIMITACIONES Y PELIGROS POTENCIALES DE LA UNIDAD. PROTEJA A TERCEROS Y PROTÉJASE A USTED MISMO SIGUIENDO TODA LA INFORMACIÓN DE SEGURIDAD. LA FALTA DE CUMPLIMIENTO DE ESTAS INSTRUCCIONES PUEDE PRODUCIR LESIONES PERSONALES Y/O DAÑOS A LA PROPIEDAD!**

## DIRECTRICES DE SEGURIDAD



¡PAGUE LA CORRIENTE ELÉCTRICA EN LA CAJA DE FUSIBLES O CAJA DE DISYUNTORES ANTES DE REALIZAR UN SERVICIO TÉCNICO, DESCONECTAR EL CONECTOR O QUITAR CUALQUIER COMPONENTE!

No utilice el equipo para bombear líquidos inflamables o explosivos como gasolina, fuel-oil, queroseno u otros. No lo utilice en ambientes explosivos.

No toque la unidad con las manos mojadas o cuando se encuentre de pie sobre el suelo mojado, húmedo o cubierto con agua.

Se debe utilizar un sistema de respaldo y/o alarma en toda instalación donde se puedan producir daños materiales y/o lesiones personales como resultado de una bomba que no funciona o que tiene fugas debido a un corte de energía, bloqueo de la línea de descarga o cualquier otra razón.

Apoye la bomba y la tubería al armarla y cuando esté instalada. De lo contrario, la tubería puede romperse, la bomba puede fallar, etc.

La bomba no es sumergible y debe instalarse para que el agua no salpique, rocíe o gotee sobre la misma. Coloque la bomba en un sitio donde no exista peligro de entrada de agua.

## DESCRIPCIÓN

La EC-OP Little Giant es un sistema para eliminar la condensación automáticamente que elimina el agua que gotea del serpentín de evaporación de los sistemas de aire acondicionado divididos cuando no es posible el drenaje por gravedad. Aun cuando se pueda utilizar el drenaje por gravedad, la EC-OP puede ser una mejor opción, permitiendo la libertad de enrutamiento de la línea de drenaje donde usted lo desee y eliminando las preocupaciones de una línea de drenaje obstruida o bloqueada por una bolsa de aire.

La EC-OP se puede utilizar con la mayoría de las unidades de aire acondicionado de sistema dividido de hasta 10 KW, pero la cantidad de condensación producida por una unidad de aire acondicionado depende de las propiedades del aire interno y externo y de las características de la unidad de aire acondicionado utilizada. Consulte al fabricante de la unidad para conocer la cantidad de condensación que se produce con una aplicación en particular.

Esta unidad permite que los climatizadores estén situados lejos de los drenajes de agua, debido a que la condensación se puede bombear a un drenaje común que esté alejado. La EC-OP está diseñada para ser instalada debajo o al lado del climatizador. Funciona automáticamente con un dispositivo flotador/interruptor dentro del depósito de acumulación de agua que enciende la bomba cuando hay aproximadamente 20 mm de agua en el depósito, y apaga la bomba cuando quedan en el mismo aproximadamente 15 mm.

## PROCEDIMIENTOS DE INSTALACIÓN



**Instalación de la EC-OP-K (bomba, placa base y cubierta de pared) debajo de un climatizador montado en la pared usando la plantilla que viene incluida. NOTA: no es necesario retirar la bomba de la placa base para realizar este procedimiento.**

- Coloque la placa base en la posición que desee debajo del climatizador con acceso a un pasacables troquelado o agujero en la parte inferior del climatizador.
- Coloque la plantilla de alineación que viene incluida debajo del climatizador de modo que las palabras "Knockout Location, path for wires and tubing" (ubicación troquelada, paso para cables y tuberías) queden alineadas con la abertura de acceso del climatizador.
- Marque la posición de los orificios para los tornillos y retire la plantilla. Use un nivel para asegurarse de que los dos orificios de montaje estén nivelados a +/- 10 grados.
- Si utiliza los anclajes de pared incluidos, taladre un orificio de 5 mm de diámetro y 26 mm de profundidad en cada punto marcado en la pared, luego introduzca totalmente un anclaje dentro de cada orificio. **NOTA:** la bomba está configurada para acceso por el lado derecho. Si la instala para acceso por el lado izquierdo, tire verticalmente hacia fuera los cables y tuberías de la bomba desde la placa base, gire la unidad y vuelva a hacer pasar los cables y la tubería a través del orificio del lado izquierdo en la parte superior de la placa base.
- Coloque la unidad de la bomba/placa base debajo del climatizador de modo que los cables eléctricos y la tubería de la bomba puedan pasar por las aberturas de acceso del climatizador, ya sea por el lado derecho o por el izquierdo. **NO INSTALE LA UNIDAD DE LA BOMBA/PLACA BASE EN LA PARED EN ESTE MOMENTO.**
- Introduzca los cables eléctricos y la tubería de la bomba dentro de la abertura de acceso del climatizador.
- Con los tornillos que vienen incluidos, instale la unidad de la bomba/placa base a la pared.

- TUBERÍA DE DESCARGA:** dirija la tubería de descarga transparente de 4 mm de D.I. y 1 metro de largo a través del climatizador y hacia un drenaje interior, o junto a las líneas de refrigeración a un drenaje exterior. Use tubería adicional si fuera necesario. Use el adaptador de 4 mm a 6 mm que viene incluido para conectar la tubería trenzada de 6.3 mm (1/4 de pulgada), si fuera necesario. No extienda la tubería de descarga más de 9 m por encima del nivel de la bomba. Para evitar un efecto de sifón, no extienda el extremo de la tubería de descarga más de 1 m por debajo del nivel de la bomba. Asegúrese de que la tubería de descarga no tenga dobleces ni roturas.
- TUBERÍA DE VENTILACIÓN:** dirija la tubería transparente de ventilación de 20 cm de longitud y 4 mm de D.I. hacia arriba, dentro del cuerpo del climatizador, asegurándose de que no esté doblada ni bloqueada. No quite, corte, acorte, tuerza ni doble bruscamente el tubo de ventilación. No conecte este tubo al climatizador; sólo es para ventilación.
- Inspeccione el serpentín de la unidad de aire acondicionado y retire todo material extraño que pueda caer dentro de la bandeja de drenaje/goteo e introducirse en el depósito de la bomba. Enjuague el serpentín y la bandeja de drenaje/goteo para eliminar todo material extraño antes de conectar la tubería de entrada de la EC-OP. **DE LO CONTRARIO PODRÍA CAUSAR UN FALLO PREMATURO DE LA BOMBA Y/O DAÑOS MATERIALES.**
- TUBERÍA DE ENTRADA:** conecte la tubería de entrada negra de 8 mm de D.I. a la manguera de drenaje del climatizador. Si la manguera de drenaje tiene un conector de plástico duro, puede que sea necesario cortarla y retirar el conector. Conecte el extremo pequeño del adaptador que viene incluido a la tubería de entrada y el extremo grande a la tubería de drenaje. El adaptador sirve para mangueras de drenaje de 16 mm, 18 mm, 22 mm o 24 mm de D.I. Use una abrazadera de manguera o un clip Jubilee® para asegurar la manguera de drenaje al adaptador.
- Después de conectar las tuberías de descarga, de ventilación y de entrada asegúrese de que la bomba continúa en la posición correcta sobre la placa base.
- Alinee las guías de la cubierta de pared con las guías de la placa base, luego empuje la cubierta sobre la placa base hasta que calce en su lugar. (Para retirar la cubierta, presione las lengüetas de ambos lados y tire hacia delante.)

## Instalación de la EC-OP (sólo la bomba)

- Instale la bomba de modo que el depósito quede debajo del drenaje del climatizador y pueda alimentarse por gravedad por el agua condensada de la bandeja de goteo del climatizador.
- LA BOMBA EC-OP NO ES SUMERGIBLE.** Asegúrese de que esté situada donde el agua no salpique, rocíe o gotee sobre la misma.
- Para un funcionamiento correcto, la bomba se debe instalar en posición nivelada. Tenga cuidado de asegurarse de que la bomba permanezca nivelada durante toda su vida útil. Si no está colocada en un margen de +/- 10 grados del nivel, el funcionamiento del flotador automático puede fallar y hacer que la bomba se desborde.
- El flotador del depósito contiene un imán. Asegúrese de que el depósito esté situado al menos a 6 mm de cualquier superficie metálica para que el flotador pueda funcionar correctamente.
- TUBERÍA DE DESCARGA:** dirija la tubería de descarga transparente de 4 mm de D.I. y 1 metro de largo hacia un drenaje interior, o junto a las líneas de refrigeración a un drenaje exterior. Use tubería adicional si fuera necesario. Use el adaptador de 4 mm a 6 mm que viene incluido para conectar la tubería trenzada de 6.3 mm (1/4 de pulgada), si fuera necesario. No extienda la tubería de descarga más de 9 m por encima del nivel de la bomba. Para evitar un efecto de sifón, no extienda el extremo de la tubería de descarga más de 1 m por debajo del nivel de la bomba. Asegúrese de que la tubería de descarga no tenga dobleces ni roturas.
- TUBERÍA DE VENTILACIÓN:** instale la tubería transparente de ventilación de 20 cm de largo y 4 mm de D.I. en posición vertical, asegurándose de que no esté doblada ni bloqueada y que permanezca en posición vertical durante la vida útil de la bomba. No quite, corte, acorte, tuerza ni doble bruscamente el tubo de ventilación.
- Inspeccione el serpentín de la unidad de aire acondicionado y retire todo material extraño que pueda caer dentro de la bandeja de drenaje/goteo e introducirse en el depósito de la bomba. Enjuague el serpentín y la bandeja de drenaje/goteo con un producto aprobado para la limpieza de serpentines de unidades de aire acondicionado para eliminar todo material extraño, antes de conectar el depósito de la EC-OP. **DE LO CONTRARIO, PODRÍA CAUSAR UN FALLO PREMATURO DE LA BOMBA Y/O DAÑOS MATERIALES.**
- TUBERÍA DE ENTRADA:** conecte la tubería de entrada negra de 8 mm de D.I. al drenaje de condensación de la unidad de aire acondicionado. Si la manguera de drenaje tiene un conector de plástico duro, puede que sea necesario cortar la manguera y retirar el conector. Conecte el extremo pequeño del adaptador que viene incluido a la tubería de entrada y el extremo grande a la tubería de drenaje. El adaptador sirve para mangueras de drenaje de 16 mm, 18 mm, 22 mm o 24 mm de D.I. Use una abrazadera de manguera o un clip Jubilee® para asegurar la manguera de drenaje al adaptador. Si el drenaje de la condensación tiene un puerto de drenaje metálico, como por ejemplo uno de un serpentín de ventilador, use el adaptador que viene incluido y conéctelo al conector de drenaje usando una manguera flexible (no viene incluida).

## Notas de instalación (todos los modelos):

El extremo de la tubería de descarga debe colocarse a una altura no menor a 1 m por debajo del depósito de la bomba. De lo contrario, puede ocurrir un efecto sifón haciendo que la bomba se descebe. Esto podría hacer que la bomba se vuelva a cebar sola durante cada ciclo, dando como resultado un funcionamiento ruidoso y acortando su vida útil.

NO coloque la bomba cerca de material de aislamiento u otro material inflamable.

Asegúrese de que no hayan dobleces o pliegues pronunciados en ninguna de las tuberías. Mantenga todas las tuberías y cables alejados de las piezas en movimiento del climatizador.

Vea la curva de rendimiento para el caudal de una bomba típica y la cantidad máxima de condensación que se puede extraer para cualquier altura de descarga. El recorrido máximo horizontal depende del diámetro de la tubería usada y de la elevación vertical. Las tablas de rendimiento muestran valores típicos; los valores reales pueden variar ligeramente de una bomba a otra. El diseñador del sistema debería aplicar un factor razonable de seguridad y ajustar la bomba para soportar un caudal mayor que el condensado máximo a producir.

Una vez completada la instalación, pruebe la bomba y todas las conexiones, observando que el agua se esté bombeando al punto de descarga.

## CONEXIONES ELÉCTRICAS



ANTES DE CONECTAR LOS CABLES DE ALIMENTACIÓN, APAGUE LA CORRIENTE ELÉCTRICA EN LA CAJA DE FUSIBLES O LA CAJA DE DISYUNTORES. TODO EL CABLEADO DEBE CUMPLIR CON LAS NORMAS LOCALES DE ELECTRICIDAD Y CONSTRUCCIÓN, ASÍ COMO TAMBIÉN CON LAS NORMAS ELÉCTRICAS ESTADOUNIDENSES (NEC) MÁS RECIENTES. REVISE LA ETIQUETA DE LA UNIDAD DE CONTROL PARA VER EL VOLTAJE ADECUADO REQUERIDO. NO LA CONECTE A UN VOLTAJE DIFERENTE DEL QUE SE MUESTRA EN LA ETIQUETA DE LA BOMBA.

La EC-OP ha sido diseñada para el uso con un conductor de conexión a tierra. Para reducir el riesgo de choque eléctrico, conecte el cable de tierra a un circuito conectado adecuadamente a tierra. Se recomienda el uso de un interruptor de circuito de falla a tierra. Un instalador cualificado y autorizado según las normas locales y los estándares nacionales debe realizar todo el cableado.

Para un rendimiento óptimo, conecte la bomba a un circuito independiente con corte de corriente desde la unidad de aire acondicionado. La unidad de control/bomba se debe conectar a un suministro constante de energía eléctrica y no a una fuente intermitente como un circuito de control de ventilador o de límite.

- SUMINISTRO DE ENERGÍA ELÉCTRICA:** conecte los cables eléctricos desde la bomba a la fuente de corriente de 230 voltios del climatizador o de otro suministro de energía principal. Los cables de corriente están codificados por color, AZUL = neutro, MARRÓN = vivo (fase) y VERDE/AMARILLO = tierra.
- Se debe colocar un fusible de 0.20 amperios (se compra por separado) en el cable de energía que suministra a la bomba.
- INTERRUPTOR DE SEGURIDAD:** la unidad viene equipada con un interruptor de seguridad para nivel alto de agua o desborde con una corriente máxima de conmutación (carga resistiva) de 8 amperios a 250 V CA o 5 amperios a 30 V CC. Este circuito es para accionar un control de baja potencia o un circuito de alarma y no cuenta con suficiente potencia para hacer funcionar y conmutar una carga inductiva de gran amperaje. Conecte los cables como se describe a continuación para obtener el resultado deseado: los cables del interruptor de seguridad están codificados por color, GRIS = común, ANARANJADO = normalmente abierto, y MORADO = normalmente cerrado. **NOTA:** en algunas unidades, la codificación de color es visible únicamente en el extremo del cable que viene incluido y no se extiende por todo el largo del cable. Tenga cuidado si corta los cables a un largo menor.
- CONEXIÓN DE LOS CABLES C (CERRADO) Y NC (NORMALMENTE CERRADO):** cuando se produce una condición de nivel alto de agua o de desborde, el circuito normalmente cerrado se abre para apagar el compresor y detener de este modo el flujo de agua condensada. Esto generalmente se hace desconectando el circuito derivado común del termostato de bajo voltaje. Consulte al fabricante de la unidad de aire acondicionado para confirmar que esto es aceptable para la unidad de aire acondicionado en la aplicación. Si es aceptable, confirme qué cable del termostato se puede interrumpir. Esta conexión también se puede usar con sistemas de control ambiental centrales para controlar el funcionamiento de la unidad de aire acondicionado. **NOTA:** cuando se conecta de esta forma, si se produce una situación de nivel alto de agua, la unidad de aire acondicionado no se debe encender hasta que se corrija la situación. Este método no se debe utilizar si es necesario contar con aire acondicionado o calefacción. En su lugar, se debe utilizar el método de alarma (circuito normalmente abierto).
- CONEXIÓN DE LOS CABLES C (CERRADO) Y NO (NORMALMENTE ABIERTO):** cuando se produce una situación de alto nivel de agua o de desborde, el circuito normalmente abierto se cierra para activar una campana o alarma (no viene incluida, se debe comprar por separado), o para enviar una señal al sistema de control ambiental central. **NOTA:** cuando se conecta de esta forma, si se produce una situación de nivel alto de agua o desborde, la unidad de aire acondicionado no se apaga y puede seguir funcionando y producir condensación, creando así una situación de desborde potencial y riesgo de inundación hasta que se corrija la situación de nivel alto de agua.
- PRUEBA DEL FUNCIONAMIENTO DEL INTERRUPTOR DE SEGURIDAD:** después de completada la instalación y restaurada la corriente a la unidad de aire acondicionado y a la bomba/unidad de control, encienda la unidad de aire acondicionado, luego vierta agua en la bandeja de drenaje del climatizador hasta que la bomba se encienda. **NOTA:** no continúe vertiendo agua si es inminente una situación de desborde (inundación).
- Continúe vertiendo agua en la bandeja de drenaje hasta que se active el interruptor de seguridad de desborde/nivel alto de agua. Si el interruptor de seguridad se cablea según la configuración "normalmente cerrado" descrita anteriormente, la unidad de aire acondicionado se debería apagar. Debería permanecer apagada hasta que la bomba disminuya el nivel de agua en el depósito hasta la posición de apagado.
- Si el interruptor de seguridad se cablea según la configuración normalmente abierto descrita anteriormente, debe sonar la alarma o campana. La alarma o campana debería continuar sonando hasta que la bomba disminuya el nivel de agua en el depósito hasta alcanzar la posición de apagado.
- Deje de verter agua en la bandeja de drenaje. Cuando la bomba haya eliminado suficiente agua para hacer que el interruptor de seguridad de nivel alto de agua se desactive, la unidad de aire acondicionado se debe encender o la alarma o campana debe dejar de sonar, según la configuración utilizada.

## INSTRUCCIONES DE SERVICIO



ASEGÚRESE DE QUE LA UNIDAD ESTÉ DESCONECTADA DEL SUMINISTRO ELÉCTRICO ANTES DE REALIZAR CUALQUIER SERVICIO TÉCNICO O RETIRAR CUALQUIER COMPONENTE.

Se debe inspeccionar y limpiar el tanque del depósito cuando se realice el servicio técnico de la unidad de aire acondicionado y al comienzo de cada estación. Cada aplicación es diferente, y el intervalo de servicio técnico del filtro dependerá de la limpieza del agua condensada que se filtre.

Para limpiar el depósito, libere cuidadosamente el depósito de la bomba; el depósito girará hacia abajo y se desenganchará de la bomba. Retire la rejilla de malla y enjuáguela

bajo un chorro de agua. Utilice un trapo húmedo para quitar el polvo o desperdicios del depósito. El flotador debe quedarse en su sitio dentro de la unidad de la bomba. Asegúrese de que no haya acumulación alrededor del flotador y de que éste pueda moverse fácilmente hacia arriba y abajo con el nivel del agua. Si el flotador se cae, simplemente vuelva a armarlo en la unidad de la bomba. Cuando vuelva a armarlo, asegúrese de que el borde biselado del flotador esté hacia arriba y que el imán esté en la parte superior. Gire el clip con resorte al volverlo a armar para fijarlo en la muesca del extremo del poste de la unidad de la bomba.

No hay piezas que el usuario pueda reparar dentro de la bomba. La garantía se limita solamente al reemplazo y quedará anulada si se intenta modificar la bomba. Cualquier reparación de la bomba se debe realizar en un centro de servicio técnico autorizado por Little Giant.

## EINFÜHRUNG

In dieser Gebrauchsanleitung finden Sie die erforderlichen Informationen zur sicheren Handhabung und Bedienung des elektronischen Little Giant-Kondensatsystems.

Die von Ihnen gekaufte Little Giant-Pumpe besteht aus hochwertigen Materialien und wurde sorgfältig gefertigt. Ihre Konstruktion garantiert Ihnen einen langen und störungsfreien Betrieb. Little Giant-Pumpen werden sorgfältig verpackt, inspiziert und getestet, um einen sicheren Betrieb und die Lieferung im unbeschädigten Zustand zu gewährleisten. Untersuchen Sie die Pumpe nach Anlieferung sorgfältig, um sicherzustellen, dass keine Teile beim Versand beschädigt wurden. Falls die Pumpe beschädigt wurde, notieren Sie die Schäden und wenden Sie sich bitte an die Firma, bei der Sie die Pumpe gekauft haben. Man wird Ihnen ggf. beim Ersatz oder bei der Reparatur helfen.

**LESEN SIE DIE ANLEITUNGEN SORGFÄLTIG, BEVOR SIE VERSUCHEN, DIE LITTLE GIANT-PUMPE ZU INSTALLIEREN, ZU BETREIBEN ODER ZU WARTEN. MACHEN SIE SICH MIT DEN ANWENDUNGSBEREICHEN FÜR DIE PUMPE, IHRE BESCHRÄNKUNGEN UND POTENZIELLEN GEFAHREN VERTRAUT. SCHÜTZEN SIE SICH UND ANDERE DURCH BEACHTUNG ALLER SICHERHEITSINFORMATIONEN. FOLGEN ANLEITUNGEN NICHT BEACHTET WERDEN, KÖNNEN PERSONEN- ODER SACHSCHÄDEN AUFTRETEN! BEWAHREN SIE DIE ANLEITUNGEN FÜR DIE ZUKÜNFTIGE EINSICHTNAHME AUF.**

## SICHERHEITSHINWEISE



**VOR JEDER WARTUNG, DEM ENTFERNEN DES STECKERS ODER EINES ANDEREN BAUTEILS DIE STROMZUFÜHR AM SICHERUNGSKASTEN BZW. AM VERTEILER ABSCHALTEN!**

Nicht zum Pumpen von entflammaren oder explosiven Flüssigkeiten wie Benzin, Treibstoff, Kerosin usw. benutzen. Nicht in entflammaren Umgebungen anwenden.

Das Gerät darf weder mit nassen Händen gehandhabt werden noch wenn Sie auf einer feuchten bzw. nassen Unterlage oder im Wasser stehen.

(Ein) Reservesystem(e) und/oder ein Alarmsystem sollte in jeder Anlage zum Einsatz kommen, in der auf Grund einer wegen Stromausfalls nicht betriebsfähigen oder leckenden Pumpe, oder eines blockierten Abflussschlauchs oder aus einem anderen Grund Sach- oder Personenschäden auftreten könnten.

Pumpe und Leitungen müssen bei der Montage und nach der Installation abgestützt werden, da es sonst zu einem Leitungsbruch, Pumpenausfall usw. kommen kann.

Die Pumpe ist nicht tauchfähig und muss so installiert werden, dass sie vor Spritz-, Sprüh- und Tropfwasser geschützt ist. Platzieren Sie die Pumpe in einem Bereich, in dem sie vor Wassereintritt geschützt ist.

## BESCHREIBUNG

Das EC-OP-System von Little Giant ist ein automatisches Kondenswasserabfuhrsystem, das das aus dem Verdampfer einer Split-Klimaanlage tropfende Wasser entfernt, wenn eine Schwerkraftentwässerung nicht möglich ist Sogar dort, wo eine Schwerkraftentwässerung möglich ist, kann das EC-OP-System eine bessere Wahl darstellen, da man bei diesem System den Abflussschlauch nach Wunsch verlegen und damit die Problematik eines verstopften oder durch Luftabschluss blockierten Abflussschlauches ausschalten kann.

Das EC-OP-System eignet sich für die meisten Split-Klimaanlagen bis zu 10kW, wobei die Menge des von der Klimaanlage produzierten Kondenswassers von den Eigenschaften der Innen- und Außenluft sowie den Charakteristiken der benutzten Klimaanlage abhängt. Der Hersteller kann Ihnen sagen, wie viel Kondenswasser jedes Gerät pro Einsatzbereich abgeben kann.

Wenn Sie dieses System verwenden, müssen Sie die Klimaanlage nicht direkt über einem Abfluss installieren, da das Kondenswasser zu einem weiter entfernten Gemeinschaftsabfluss gepumpt werden kann. Das EC-OP muss neben oder unter der Klimaanlage angebracht werden. Der automatische Betrieb wird über einen Schwimmerschalter im Wassersammelbehälter geregelt der die Pumpe anschaltet, wenn der Wasserstand im Behälter ungefähr 20 mm beträgt. Er schaltet die Pumpe aus, wenn der Pegel im Behälter auf ungefähr 15 mm gesunken ist.

## EINBAUVERFAHREN



**Einbau des EC-OP-K-Systems (Pumpe, Bodenblech und Wandabdeckung) mittels der mitgelieferten Schablone unter einer an der Wand angebrachten Luftaufbereitungsanlage. HINWEIS: Das Bodenblech muss während des Einbaus nicht von der Pumpe entfernt werden.**

- Suchen Sie sich unterhalb der Luftaufbereitungsanlage eine passende Stelle für das Bodenblech aus, so dass Sie Zugang zu einer abnehmbaren Abdeckung oder einem Loch im Boden der Luftaufbereitungsanlage haben.
- Die mitgelieferte Ausrichtungsschablone muss so unterhalb der Luftaufbereitungsanlage angebracht werden, dass die Worte „Abnehmbare Abdeckung, Leitungs- und Schlauchzugang“ (Knockout Location, path for wires and tubing) auf einer Linie mit der Zugangsöffnung der Luftaufbereitungsanlage sind.
- Markieren Sie die Stellen für die Schraubenlöcher und nehmen Sie die Schablone ab. Stellen Sie mit Hilfe einer Wasserwaage sicher, dass die beiden Befestigungsbohrungen in der Waage sind und nicht mehr als +/- 10 Grad abweichen.

- Bohren Sie, sofern Sie die mitgelieferten Wandverankerungen verwenden, an jedem der an der Wand markierten Punkte ein 5 mm breites und 26 mm tiefes Loch und schieben Sie dann die Dübel voll in die entsprechenden Löcher. **HINWEIS:** Die Pumpe ist für einen Zugang von der rechten Seite ausgelegt. Wenn Sie die Installation für einen Zugang von der linken Seite aus vornehmen, müssen Sie die Pumpe, die Leitungen und die Schläuche gerade aus dem Bodenblech herausziehen. Drehen Sie dann den Bausatz und ziehen Sie die Leitungen und die Schläuche durch das linksseitige Loch oben im Bodenblech heraus.
- Platzieren Sie den Pumpen-/Bodenblechbausatz unterhalb der Luftaufbereitungsanlage, so dass die elektrischen Leitungen der Pumpe und die Schläuche in die Zugangsöffnungen der Luftaufbereitungsanlage entweder auf der linken oder rechten Seite eingeführt werden können. **DER PUMPEN-/BODENBLECHBAUSATZ DARF ZU DIESEM ZEITPUNKT NOCH NICHT AN DER WAND BEFESTIGT WERDEN.**
- Führen Sie die elektrischen Leitungen und die Schläuche der Pumpe in die Zugangsöffnung der Luftaufbereitungsanlage ein.
- Befestigen Sie die Pumpen-/Bodenblechbaugruppe mit den mitgelieferten Schrauben an der Wand.
- ABFLUSSLEITUNG:** Führen Sie den durchsichtigen, 1 m langen und 4 mm Innendurchmesser messenden Abflussschlauch durch die Luftaufbereitungsanlage zu einem Abfluss im Haus oder entlang der Kühlleitungen zu einem außerhalb des Hauses liegenden Abfluss. Verlängern Sie notwendigenfalls den Schlauch und verwenden Sie dazu den mitgelieferten 4-auf-6 mm-Adapter, um den Schlauch mit einem 6,3 mm (1/4 Zoll) Geflechschlauch zu verbinden. Der Abflussschlauch sollte nicht mehr als 9 m über die Höhe der Pumpe hinaufgeführt werden. Um einem Absaugeffekt vorzubeugen, sollte das Ende des Abflussschlauchs nicht mehr als 1 m unterhalb der Pumpenhöhe liegen. Vergewissern Sie sich, dass der Abflussschlauch weder geknickt noch gebrochen ist.
- LÜFTUNGSLAUFLEITUNG:** Führen Sie den durchsichtigen, 20 cm langen und 4 mm Innendurchmesser messenden Lüftungsschlauch nach oben in das Gehäuse der Luftaufbereitungsanlage und vergewissern Sie sich, dass er weder geknickt noch blockiert ist. Der Lüftungsschlauch darf nicht entfernt, abgeschnitten, gekürzt, gedreht oder scharf geknickt werden. Der Schlauch darf nicht an die Luftaufbereitungsanlage angeschlossen werden; er dient nur zur Lüftung.
- Inspizieren Sie den Wärmetauscher der Klimaanlage und entfernen Sie alles Fremdmaterial, das in die Abfluss-/Tropfwanne fallen und so in den Pumpensammelbehälter gelangen könnte. Spülen Sie die Abfluss-/Tropfwanne aus, bevor Sie den Zufuhrschlauch der EC-OP-Anlage anschließen, um jegliches Fremdmaterial zu entfernen. **NICHT-EINHALTUNG DIESER MASSNAHME KANN ZU EINEM VORZEITIGEN VERSAGEN DER PUMPE UND/ODER SACHSCHADEN FÜHREN.**
- ZUFUHRSCHLAUCH:** Verbinden Sie den schwarzen Zufuhrschlauch (mit einem Innendurchmesser von 8 mm) mit dem Abflussschlauch der Luftaufbereitungsanlage. Sollte der Abflussschlauch über eine Hartkunststoffverbindung verfügen, muss der Schlauch eventuell durchgeschnitten werden, um das Verbindungsstück zu entfernen. Das schmalere Ende des mitgelieferten Adapters mit dem Zufuhrschlauch verbinden und das breitere Ende mit dem Abflussschlauch. Der Adapter passt für Abflussschläuche mit einem Innendurchmesser von 16, 18, 22 oder 24 mm. Verwenden Sie eine Schlauchklemme oder eine Schlauchschelle mit Schneckschraube, um den Abflussschlauch auf dem Adapter zu sichern.
- Nach dem Verbinden der Abfluss-, Belüftungs- und Zufuhrschläuche sicherstellen, dass die Pumpe weiterhin korrekt auf dem Bodenblech platziert ist.
- Richten Sie die Wandabdeckungsführung an der Bodenblechführung aus und schieben Sie die Abdeckung auf das Bodenblech, bis sie einrastet. (Drücken Sie zum Entfernen der Abdeckung die Einrastklammer auf beiden Seiten der Abdeckung nach unten und ziehen Sie sie nach vorne).

#### Einbau der Pumpe des EC-OP-Systems

- Installieren Sie die Pumpe so, dass sich der Wassersammelbehälter unterhalb des Abflusses der Luftaufbereitungsanlage befindet und das Kondenswasser der Tropfwanne schwerkraftbedingt hineinfließen kann.
- DIE EC-OP-PUMPE IST NICHT TAUCHFÄHIG.** Stellen Sie sicher, dass sie an einem Ort angebracht wird, wo sie vor Spritz-, Sprüh- und Tropfwasser geschützt ist.
- Die Pumpe muss in der Waage angebracht sein, um einwandfreien Betrieb zu gewährleisten. Stellen Sie sicher, dass die Pumpe während ihres gesamten Arbeitslebens in der Waage bleibt. Wenn sie mehr als +/- 10 Grad aus der Waagerechten positioniert ist, kann der automatische Schwimmerschalter versagen und die Pumpe überlaufen.
- Der Schwimmerschalter im Wassersammelbehälter enthält einen Magneten. Vergewissern Sie sich, dass der Wassersammelbehälter mindestens 6 mm von jeglicher metallenen Oberfläche entfernt ist, um eine problemlose Funktion des Schwimmerschalters zu gewährleisten.
- ABFLUSSSCHLAUCH:** Führen Sie den durchsichtigen, 1 m langen und 4 mm Innendurchmesser messenden Abflussschlauch durch die Luftaufbereitungsanlage zu einem Abfluss im Haus oder entlang der Kühlleitungen zu einem außerhalb des Hauses liegenden Abfluss. Verlängern Sie notwendigenfalls den Schlauch und verwenden Sie dazu den mitgelieferten 4-auf-6 mm-Adapter, um den Schlauch mit einem 6,3 mm (1/4 Zoll) Geflechschlauch zu verbinden. Die Abflussoleitung sollte sich um nicht mehr als 9 m über die Höhe der Pumpe hinaus erstrecken. Um einem Absaugeffekt vorzubeugen, sollte das Ende der Abflussoleitung nicht mehr als 1 m unterhalb der Pumpenhöhe liegen. Vergewissern Sie sich, dass der Abflussoleitung weder geknickt noch gebrochen ist.
- LÜFTUNGSSCHLAUCH:** Installieren Sie den durchsichtigen, 20 cm langen und 4 mm Innendurchmesser messenden Lüftungsschlauch so nach oben weisend, dass er weder geknickt noch blockiert ist und während des Arbeitslebens der Pumpe in dieser nach oben weisenden Position verbleibt. Der Lüftungsschlauch darf nicht entfernt, abgeschnitten, gekürzt, gedreht oder scharf geknickt werden.
- Inspizieren Sie den Wärmetauscher der Klimaanlage und entfernen Sie alles Fremdmaterial, das in die Abfluss-/Tropfwanne fallen und so in den Pumpensammelbehälter gelangen könnte. Spülen Sie, bevor Sie die Einlaufleitung der EC-OP-Anlage anschließen, den Wärmeaustauscher und die Abfluss-/Tropfwanne mit einem für Wärmeaustauscher geeigneten Reinigungsprodukt für Klimaanlagen. **NICHT-EINHALTUNG DIESER MASSNAHME KANN ZU EINEM VORZEITIGEN VERSAGEN DER PUMPE UND/ODER SACHSCHADEN FÜHREN.**

- ZUFUHRSCHLAUCH:** Verbinden Sie den schwarzen Zufuhrschlauch (mit einem Innendurchmesser von 8 mm) mit dem Kondenswasser-Abflussschlauch der Klimaanlage. Sollte der Abflussschlauch über eine Hartkunststoffverbindung verfügen, muss der Schlauch eventuell durchgeschnitten werden, um das Verbindungsstück zu entfernen. Verbinden Sie das schmalere Ende des mitgelieferten Adapters mit dem Zufuhrschlauch und das breitere Ende mit dem Abflussschlauch. Der Adapter passt für Abflussschläuche mit einem Innendurchmesser von 16, 18, 22 oder 24 mm. Verwenden Sie eine Schlauchklemme oder ein Schlauchschelle mit Schneckschraube, um den Abflussschlauch auf dem Adapter zu sichern. Sollte der Kondenswasserabfluss einen metallenen Abflusanschluss haben, wie er bei einem Kühlelement mit Gebläse vorkommt, dann ist der mitgelieferte Adapter zum Anschluss an die Abflusverbindung zu verwenden, wobei ein Flexschlauch (nicht im Lieferumfang mit inbegriffen) zu verwenden ist.

#### Einbauhinweise (alle Modelle):

Das Ende der Abflussschläuche darf maximal 1 m unterhalb des Pumpensammelbehälters liegen. Andernfalls kann ein Absaugeffekt auftreten, wodurch die Pumpe ihre Ansaugkraft verliert. Die Pumpe müsste dann während eines jeden Zyklus neu vorgefüllt werden, was einen lauten Betrieb und kürzere Lebensdauer der Pumpe zur Folge hätte.

Die Pumpe DARF NICHT in der Nähe von Isoliermaterial oder anderen entflammaren Materialien platziert werden.

Vergewissern Sie sich, dass die Schläuche nicht scharf gebogen oder geknickt sind. Sicherstellen, dass alle Schläuche und Leitungen nicht mit den beweglichen Teilen der Luftaufbereitungsanlage in Berührung kommen.

Die Leistungskurve zeigt Ihnen die typische Flussrate der Pumpe und das maximale Kondenswasservolumen, das für die jeweilige Förderhöhe entfernt werden kann. Die maximale horizontale Lauflänge hängt von dem Durchmesser des verwendeten Schlauchs und der vertikalen Steigung ab. Die Leistungsdiagramme zeigen typische Werte auf; die tatsächlichen Werte können von Pumpe zu Pumpe leicht abweichen. Der Systemkonstrukteur sollte einen angemessenen Sicherheitsfaktor mit einbeziehen und die Größe der Pumpe so auslegen, dass sie eine größere Flussrate als das maximale Kondenswasservolumen bewältigen kann.

Nach erfolgtem Einbau müssen die Pumpe und alle Verbindungen überprüft und sichergestellt werden, dass Wasser zum Abflusspunkt gepumpt wird.

#### ELEKTRISCHE ANSCHLÜSSE



**VOR DEM ANSCHLUSS DER STROMLEITUNG DIE STROMZUFUHR AM SICHERUNGSKASTEN BZW. AM VERTEILER ABSCHALTEN. ALLE LEITUNGEN MÜSSEN DEN ÖRTLICHEN ELEKTRISCHEN UND BAUVORSCHRIFTEN SOWIE DEN AKTUELLESTEN NATIONALEN ELEKTRISCHEN NORMEN ENTSPRECHEN. DIE ERFORDERLICHE SPANNUNG FINDEN SIE AUF DEM TYPENSCHILD DER STEUERUNGSEINHEIT. NUR MIT DER AUF DEM TYPENSCHILD DER PUMPE ANGEBEbenen SPANNUNG BETREIBEN.**

Die EC-OP-Anlage muss mit einem Masseleiter betrieben werden. Um dem Risiko eines Stromschlags vorzubeugen, muss das Massekabel mit einem ordnungsgemäß geerdeten Schaltkreis verbunden werden. Wir empfehlen den Einbau eines FI-Schutzschalters. Die Verkabelung sollte von einem qualifizierten Installateur mit Zulassung für örtliche und nationale Normen vorgenommen werden.

Um maximale Leistung zu erzielen, muss die Pumpe an einen separaten, von der Klimaanlage aus abschaltbaren Schaltkreis angeschlossen werden. Die Steuerungseinheit/ Pumpe muss an einen Dauerleistungsschaltkreis und nicht an eine intermittierende Quelle wie beispielsweise einen Ventilator oder eine Begrenzungssteuerschaltung angeschlossen werden.

- STROMVERSORGUNG:** Verbinden Sie die elektrischen Kabel der Pumpe mit der 230 Volt Stromversorgung der Luftaufbereitungsanlage oder der Stromversorgung. Die elektrischen Kabel sind farblich kodiert: **BLAU** = neutral, **BRAUN** = spannungsführend (Phase) und **GRÜN/GELB** = Erdung (Masse).
- Das die Pumpe mit Strom versorgende Kabel sollte mit einer 0,20 Ampere-Sicherung (nicht im Lieferumfang inbegriffen) versehen sein.
- SICHERHEITSSCHALTER:** Das Bauteil ist mit einem Sicherheitsschalter gegen hohen Wasserstand oder Überfließen ausgerüstet, der eine Maximalbelastungsschaltspannung (Wirklast) von 8 Ampere bei 250 Volt Wechselstrom oder 5 Ampere bei 30 Volt Gleichstrom hat. Dieser Schaltkreis ist für einen Niederspannungs- oder Alarmschaltkreis gedacht und reicht nicht aus, um mit einer hohen Stromstärke und hoher induktiver Belastung zu arbeiten und diese zu schalten. Schließen Sie, um das gewünschte Ergebnis zu erzielen, die Kabel wie unten beschrieben an. Die Kabel der Sicherheitsschalter sind farblich gekennzeichnet: **GRAU** = Masse, **ORANGE** = normalerweise getrennt und **PURPUR** = normalerweise geschlossen. **HINWEIS:** Bei einigen Bauteilen ist die Farbkennzeichnung nur am Ende des mitgelieferten Kabels und nicht über die gesamte Kabellänge sichtbar. Seien Sie vorsichtig beim Kürzen der Leitungen.
- ANSCHLUSS AN C (MASSE) UND NC (NORMALERWEISE GESCHLOSSENE) KABEL:** Bei hochstehendem oder überfließendem Wasser öffnet sich der normalerweise geschlossene Schaltkreis, schaltet dadurch den Kompressor ab und stoppt so den Kondenswasserfluss. Dies geschieht normalerweise durch Unterbrechung des Massezweigs des Niederspannungsthermostats. Der Hersteller der Klimaanlage kann Ihnen sagen, ob dies für das Einsatzgebiet der Klimaanlage akzeptabel ist. Wenn es akzeptabel ist, lassen Sie sich bestätigen, welche Thermostatleitung unterbrochen werden soll. Diese Verbindung kann auch bei zentralen Umweltsteuerungssystemen zur Steuerung der Klimaanlage angewandt werden. **HINWEIS:** Falls diese Anschlussart verwendet wurde, sollte der Betrieb der Klimaanlage so lange unterbrochen werden, bis das Überlaufproblem behoben ist. Diese Methode sollte nicht angewandt werden, wenn eine Kühlung oder Beheizung zwingend erforderlich ist. Hier sollte dann die Alarm-Methode (normalerweise ein offener Stromkreis) zur Anwendung kommen.
- ANSCHLUSS AN C (MASSE) UND NO (NORMALERWEISE OFFENE) KABEL:** Bei hochstehendem oder überfließendem Wasser schließt sich der normalerweise offene Schaltkreis und aktiviert eine Glocke oder einen Alarm (nicht im Lieferumfang enthalten, muss separat gekauft werden) oder schickt ein Signal an das zentrale Umweltsteuerungssystem. **HINWEIS:** Falls für die Klimaanlage diese Anschlussart verwendet wurde und der Wasserstand hoch ist oder das Wasser überläuft, schaltet sich die Klimaanlage nicht ab und kann weiterhin Kondenswasser produzieren. Das

depuis résultant d'un risque d'inondation et d'écoulement de condensat. Le système EC-OP est compatible avec la plupart des appareils de conditionnement d'air à deux blocs, jusqu'à 10 kW. Il est à noter cependant que la quantité de condensats produite par un conditionneur d'air dépend des propriétés de l'air intérieur et extérieur, ainsi que des caractéristiques du conditionneur. S'informer auprès du fabricant sur la quantité de condensats produite par le conditionneur d'air pour une application donnée.

par gravité n'est pas possible. Et EC-OP est probablement préférable même lorsqu'un drainage par gravité est possible, car il vous permet d'acheminer la conduite d'évacuation exactement où vous voulez et d'éliminer tous problèmes de bouchage ou de poches d'air.

Le système EC-OP est compatible avec la plupart des appareils de conditionnement d'air à deux blocs, jusqu'à 10 kW. Il est à noter cependant que la quantité de condensats produite par un conditionneur d'air dépend des propriétés de l'air intérieur et extérieur, ainsi que des caractéristiques du conditionneur. S'informer auprès du fabricant sur la quantité de condensats produite par le conditionneur d'air pour une application donnée.

Les dispositifs de traitement de l'air pour ce système peuvent être montés à l'écart des conduites d'évacuation de l'eau, pour faciliter le pompage du condensat vers une conduite commune éloignée. EC-OP doit être monté dessous ou à côté du dispositif de traitement de l'air. Son fonctionnement est automatique : un interrupteur à flotteur, situé à l'intérieur du réservoir collecteur, démarre la pompe lorsque le niveau de l'eau atteint environ 20 mm et arrête celle-ci lorsque le niveau descend à environ 15 mm.

## PROCÉDURE D'INSTALLATION



**Installation avec le gabarit fourni de l'équipement EC-OP-K (pompe, plaque d'appui et couvercle mural) sous un dispositif de traitement d'air mural. REMARQUE : Il est inutile de retirer la pompe de la plaque d'appui pour effectuer cette procédure.**

- Déterminez un endroit adéquat sous le dispositif de traitement d'air pour la plaque d'appui, ayant accès au trou ou au trou à défoncer aménagé sur la partie inférieure du dispositif de traitement d'air.
- Placez le gabarit d'alignement fourni sous le dispositif de traitement d'air, les mots Knockout Location, path for wires and tubing (trou à défoncer, câblage et tuyaux) bien alignés avec l'orifice d'accès du dispositif.
- Marquez les trous pour les vis, puis enlevez le gabarit. À l'aide d'un niveau, assurez-vous que les deux marques sont de niveau (tolérance de +/- 10 degrés).
- Si vous utilisez les chevilles murales fournies, percez à chaque marque un trou de 5 mm, profond de 26 mm, puis insérez les chevilles à fond. **REMARQUE :** L'accès de la pompe est à droite ; si vous l'installez pour un accès à gauche, sortez tout l'équipement (pompe, câbles, tuyaux) hors de la plaque d'appui, retournez l'équipement et réachevinez les câbles et tuyaux par le trou du côté gauche, au sommet de la plaque.
- Placez l'ensemble pompe et plaque sous le dispositif de traitement d'air, en veillant à ce que les fils électriques et les tuyaux de la pompe puissent passer sans problème dans les orifices d'accès du dispositif (côté gauche ou droit). **NE PAS FIXER LA POMPE/PLAQUE D'APPUI AU MUR À CE STADE.**
- Acheminez d'abord le câblage et les tuyaux de la pompe dans les orifices d'accès du dispositif de traitement d'air.
- À l'aide des vis fournies, fixez maintenant au mur l'ensemble pompe/plaque d'appui.
- TUYAU D'ÉVACUATION :** Acheminez le tuyau d'évacuation transparent (100 cm de long, 4 mm de diamètre intérieur), de l'orifice du dispositif à un drain intérieur ou le long des conduites de réfrigération vers une bouche d'égout. Utilisez au besoin d'autres tuyaux. Utilisez aussi s'il y a lieu l'adaptateur 4 mm à 6 mm fourni pour faire la jonction d'un tuyau tressé de 6,3 mm (.25 po). Ne pas allonger le tuyau d'évacuation de plus de 9 m au-dessus du niveau de la pompe. De même, ne pas allonger le tuyau d'évacuation de plus de 1 m en dessous du niveau de la pompe pour éviter un effet de siphon. Vérifiez que le tuyau d'évacuation n'est ni tordu ni rompu.
- TUYAU DE VENTILATION :** Acheminez le tuyau de ventilation transparent (20 cm de long, 4 mm de diamètre intérieur) vers le haut, dans le corps du dispositif de traitement d'air, en veillant à ne pas le tordre ou le pincer. Veillez à ne pas enlever, couper, raccourcir, tordre ou courber en angle aigu le tuyau de ventilation. Veillez également à ne pas raccorder ce tuyau au dispositif de traitement d'air : il n'est destiné qu'à la ventilation.
- Inspectez le serpentín du conditionneur d'air ; enlevez tout débris pouvant tomber dans le bac de vidange/égouttoir et pénétrer dans la pompe. Rincez le serpentín et le bac de vidange/égouttoir pour ôter tout débris avant de raccorder le tuyau d'arrivée du EC-OP. **NEGLIGER CETTE CONSIGNE POURRAIT ENTRAÎNER UNE PANNE PRÉMATURÉE DE LA POMPE OU DES DÉGÂTS MATÉRIELS.**
- TUYAU D'ARRIVÉE :** Raccordez le tuyau d'arrivée noir (8 mm de diamètre intérieur) au flexible de vidange du dispositif de traitement d'air. Si ce flexible est équipé d'un raccord dur en plastique, vous devrez peut-être le couper et enlever le raccord. Raccordez la petite extrémité de l'adaptateur fourni au tuyau d'arrivée et la grosse extrémité au flexible. L'adaptateur se raccorde à des flexibles dont le diamètre intérieur est 16 mm, 18 mm, 22 mm ou 24 mm. Fixez le flexible à l'adaptateur avec un collier de serrage ou une pince Jubilee®.
- Après avoir raccordé les tuyaux (évacuation, ventilation et arrivée), vérifiez que la pompe est toujours correctement placée sur la plaque d'appui.
- Alignez les guides du couvercle mural avec les guides de la plaque d'appui, puis poussez le couvercle sur la plaque pour l'enclencher. (Pour enlever le couvercle, enfoncez les fermoirs de chaque côté du couvercle et tirez celui-ci vers l'avant.)

### Installation de l'EC-OP (pompe uniquement)

- Lorsque vous installez la pompe, le réservoir doit être sous le drain du dispositif de traitement d'air : le condensat s'écoulera ainsi par gravité dans le réservoir, à partir du bac égouttoir du dispositif.
- LA POMPE EC-OP N'EST PAS SUBMERSIBLE.** Veillez à ce qu'elle soit installée à l'abri des fuites, des éclaboussures et des écoulements d'eau.
- La pompe doit être à niveau pour bien fonctionner. Assurez-vous qu'elle reste à niveau tout au long de sa vie utile. Si elle ne se trouve pas à +/- 10 degrés de l'horizontale, le fonctionnement du flotteur automatique pourrait s'enrayer et causer un débordement.
- Le flotteur du réservoir contient un aimant. Le réservoir doit donc être à au moins 6 mm de toute surface en métal pour assurer le bon fonctionnement du flotteur.
- TUYAU D'ÉVACUATION :** Acheminez le tuyau d'évacuation transparent (100 cm de long, 4 mm de diamètre intérieur) vers un drain intérieur ou le long des conduites de réfrigération vers une bouche d'égout. Utilisez au besoin d'autres tuyaux. Utilisez aussi s'il y a lieu l'adaptateur 4 mm à 6 mm fourni pour faire la jonction d'un tuyau tressé de 6,3 mm (.25 po). Veillez à ne pas allonger le tuyau d'évacuation de plus de 9 m au-dessus du niveau de la pompe. Veillez également à ne pas allonger le tuyau d'évacuation de plus de 1 m en dessous du niveau de la pompe pour éviter

- 6. ÜBERPRÜFEN DER SICHERHEITSSCHALTERFUNKTION:** Schalten Sie nach abgeschlossener Installation und nachdem die Klimaanlage und Steuerungseinheit / Pumpe mit Strom versorgt sind die Klimaanlage an. Befüllen Sie die Abflussschale der Luftaufbereitungsanlage solange mit Wasser, bis die Pumpe anspricht. **HINWEIS:** Vermeiden Sie ein Überfließen (Überflutung).
- 7.** Gießen Sie solange Wasser in die Abflussschale, bis sich der Sicherheitsschalter für hohen Wasserstand / Überflutung einschaltet. Wenn der Sicherheitsschalter an die normalerweise geschlossene, oben beschriebene Konfiguration angeschlossen ist, sollte sich die Klimaanlage ausschalten. Die Anlage sollte solange ausgeschaltet bleiben, bis die Pumpe den Wasserstand im Wassersammelbehälter in die „AUS“-Position gebracht hat.
- 8.** Wenn der Sicherheitsschalter an die normalerweise offene, oben beschriebene Konfiguration angeschlossen ist, sollte ein Alarm oder eine Glocke ertönen. Der Alarm oder die Glocke sollten solange klingeln, bis die Pumpe den Wasserstand im Wassersammelbehälter in die „AUS“-Position gebracht hat.
- 9.** Stoppen Sie die Wasserzufuhr zur Abflussschale. Sobald die Pumpe genügend Wasser zur Deaktivierung des Schwimmerschalters abgepumpt hat, sollte sich, abhängig von der gewählten Konfiguration, die Klimaanlage anschalten oder der Alarm bzw. die Glocke abschalten.

## WARTUNGSANWEISUNGEN



**STELLEN SIE SICHER, DASS DIE STROMZUFUHR ZUR ANLAGE VOR JEDLICHEN WARTUNGSARBEITEN ODER VOR DEM ENTFERNEN VON TEILEN ABGESCHALTET IST.**

Bei Wartungsarbeiten an der Klimaanlage oder vor Saisonbeginn sollte der Wassersammelbehälter überprüft und gesäubert werden. Jeder Einsatzbereich ist anders, und die Wartungsintervalle der Filter hängen von der Reinheit des gefilterten Kondenswassers ab.

Entriegeln Sie den Wassersammelbehälter für die Reinigung vorsichtig an der Pumpe. Der Behälter dreht sich dabei nach unten weg und kann von der Pumpe abgenommen werden. Entfernen Sie das Maschensieb und spülen Sie es unter fließendem Wasser aus. Mit einem feuchten Lappen können Sie Staub bzw. Schmutzstoffe aus dem Wassersammelbehälter entfernen. Der Schwimmerschalter sollte an der Pumpe verbleiben. Vergewissern Sie sich, dass sich kein Schmutz um den Schwimmerschalter angesammelt hat und dass sich der Schwimmerschalter leicht mit dem Wasserpegel nach oben oder unten bewegen kann. Montieren Sie den Schwimmerschalter wieder an der Pumpe, falls er heruntergefallen ist. Achten Sie bei der Remontage darauf, dass die abgeschrägte Kante des Schwimmers nach oben zeigt und dass der Magnet oben sitzt. Drehen Sie die Federklammer beim Wiedereinbau so, dass sie in die Nut am Ende des Pumpenständers einrastet.

In der Pumpe selbst befinden sich keine Teile, die vom Anwender gewartet werden können. Die Garantie beschränkt sich auf den Ersatz und wird ungültig, wenn an der Pumpe unsachgemäße Arbeiten vorgenommen werden. Alle Reparaturen an der Pumpe müssen von einem von Little Giant autorisierten Service Center durchgeführt werden.

## INTRODUCTION

Cette feuille d'instructions vous fournit les informations nécessaires pour entretenir et faire fonctionner votre produit Little Giant. Conserver ces directives afin de pouvoir les consulter plus tard.

Le produit Little Giant que vous avez acheté a été soigneusement fabriqué avec des matériaux de la plus haute qualité et a été conçu pour durer longtemps et offrir un service fiable. Les produits Little Giant sont soigneusement testés, inspectés et emballés afin d'en assurer la sécurité de fonctionnement et une livraison en bonne condition. Vérifier attentivement le produit afin de vous assurer qu'il n'a pas été endommagé pendant le transport. S'il est endommagé, veuillez contacter l'entreprise qui vous l'a vendu. Si une réparation ou un remplacement est requis, elle vous prêtera assistance.

**LIRE ATTENTIVEMENT CES DIRECTIVES AVANT DE PROCÉDER À L'INSTALLATION, À L'UTILISATION OU À L'ENTRETIEN DU PRODUIT LITTLE GIANT. SE FAMILIARISER AVEC LES APPLICATIONS, LES LIMITES ET LES RISQUES POTENTIELS DU PRODUIT. ASSURER SA PROPRE PROTECTION ET CELLE DES AUTRES EN SUIVANT TOUTES LES RÈGLES DE SÉCURITÉ. LE NON-RESPECT DE CES DIRECTIVES PEUT ENTRAÎNER DES BLESSURES ET/OU DES DOMMAGES MATÉRIELS!**

## CONSIGNES DE SÉCURITÉ



**COUPER TOUTE ALIMENTATION ÉLECTRIQUE AU NIVEAU DE LA BOÎTE DE FUSIBLES (OU DU DISJONCTEUR) AVANT D'ENTREtenir, DE DÉCONNECTER DES CONNECTEURS OU D'ENLEVER UN COMPOSANT QUELCONQUE !**

Ne pas utiliser ce système pour pomper des fluides inflammables ou explosifs, tels que l'essence, du fuel, du kérosène, etc. Ne pas utiliser dans les atmosphères explosives.

Ne pas manipuler la pompe avec les mains mouillées ou lorsque l'on se trouve dans l'eau ou sur une surface humide ou détrempée.

Un ou plusieurs systèmes de secours ou d'alarme doivent être utilisés dans toute installation où une panne ou une fuite de la pompe, à la suite d'une coupure de courant, d'un bouchage du tuyau d'évacuation ou pour toute autre raison, pourrait entraîner des dommages matériels ou des blessures.

La pompe et les conduites doivent toujours être soutenues lors de l'assemblage et de l'installation. Négliger cette consigne pourrait entraîner des bris de tuyauterie, une panne de la pompe, etc.

La pompe n'est pas submersible et doit être installée à l'abri des fuites, des éclaboussures et des écoulements d'eau. Placer la pompe dans un endroit ne présentant aucun danger de pénétration d'eau.

## DESCRIPTION

Le système EC-OP de Little Giant évacue automatiquement le condensat ; il aspire l'eau qui s'égoutte de l'évaporateur d'un conditionneur d'air à deux blocs lorsqu'un drainage

un effet de siphon. Vérifiez que le tuyau d'évacuation n'est ni tordu ni rompu.

6. TUYAU DE VENTILATION : Acheminez le tuyau de ventilation transparent (20 cm de long, 4 mm de diamètre intérieur) vers le haut, en vous assurant qu'il n'est ni tordu, ni pincé et qu'il reste en position montante tout au long de la vie utile de la pompe. Veillez à ne pas enlever, couper, raccourcir, tordre ou courber en angle aigu le tuyau de ventilation.
7. Inspectez le serpentin du conditionneur d'air ; enlevez tout débris pouvant tomber dans le bac de vidange/égouttoir et pénétrer dans la pompe. Rincez le serpentin et le bac de vidange/égouttoir avec un nettoyant approuvé de serpentins pour ôter tout débris avant de raccorder le réservoir EC-OP. **NÉGLIGER CETTE CONSIGNE POURRAIT ENTRAÎNER UNE PANNE PRÉMATURÉE DE LA POMPE OU DES DÉGÂTS MATÉRIELS.**
8. TUYAU D'ARRIVÉE : Raccordez le tuyau d'arrivée noir (8 mm de diamètre intérieur) au flexible de vidange de condensat du conditionneur d'air. Si ce flexible est équipé d'un raccord dur en plastique, vous devrez peut-être le couper et enlever le raccord. Raccordez la petite extrémité de l'adaptateur fourni au tuyau d'arrivée et la grosse extrémité au flexible. L'adaptateur se raccorde à des flexibles dont le diamètre intérieur est 16 mm, 18 mm, 22 mm ou 24 mm. Fixez le flexible à l'adaptateur avec un collier de serrage ou une pince Jubilee®. Si le flexible est muni d'une bouche d'évacuation en métal, comme celle d'un évaporateur à ventilation forcée, raccordez alors l'adaptateur fourni au raccord de la bouche avec un flexible (non fourni).

#### Notes sur l'installation (tous les modèles) :

L'extrémité du tuyau d'évacuation doit être située moins de 1 m en dessous du réservoir de la pompe. Sinon, il y aura un effet de siphon et l'efficacité d'aspiration de la pompe sera compromise. La pompe se réamorcera alors pendant chaque cycle, ce qui aboutira à un fonctionnement bruyant et une vie utile écourtée.

NE PAS placer la pompe à proximité de matériaux isolants ou inflammables.

Vérifier qu'aucun des tuyaux n'est tordu, pincé, ou courbé en angle aigu. Garder tous les tuyaux et câbles à l'écart des pièces mobiles du dispositif de traitement d'air.

Se référer à la courbe de performance de la pompe et la quantité maximale de condensats qu'elle peut évacuer pour chaque tête d'évacuation spécifique. La dénivellation horizontale maximale dépend du diamètre des tuyaux utilisés et de la levée verticale. Les tableaux de rendement indiquent des valeurs typiques ; les valeurs réelles peuvent varier légèrement d'une pompe à l'autre. Le concepteur du système doit appliquer un facteur raisonnable de sécurité et dimensionner la pompe pour que sa capacité de débit soit supérieure au condensat produit.

Contrôler l'équipement (la pompe et toutes les connexions) après avoir terminé l'installation ; vérifier si l'eau est pompée vers le point d'évacuation.

### CONNEXIONS ÉLECTRIQUES



**AVANT DE BRANCHER LES FILS, COUPER TOUTE ALIMENTATION ÉLECTRIQUE AU NIVEAU DE LA BOÎTE DE FUSIBLES (OU DU DISJONCTEUR). TOUS LES CÂBLAGES DOIVENT ÊTRE CONFORMES AUX CODES D'ÉLECTRICITÉ ET DE CONSTRUCTION LOCAUX, AINSI QU'ÀUX NORMES D'ÉLECTRICITÉ NATIONALES LES PLUS RÉCENTES. VÉRIFIER LA TENSION REQUISE SUR L'ÉTIQUETTE DE L'UNITÉ DE CONTRÔLE. NE PAS BRANCHER SUR UNE TENSION SUPÉRIEURE À CELLE INDIQUÉE SUR L'ÉTIQUETTE DE LA POMPE.**

Le modèle EC-OP est destiné à être utilisé avec un conducteur de mise à la terre. Pour réduire les risques d'électrocution, brancher le fil de terre sur un circuit correctement mis à la terre. L'utilisation d'un disjoncteur de fuite de terre est recommandée. Le câblage doit être réalisé par un installateur qualifié, accrédité par les autorités locales et nationales.

Pour une performance optimale, brancher la pompe sur un circuit avec sectionneur, distinct du conditionneur d'air. L'unité de contrôle et la pompe doivent être connectées à une source d'alimentation constante et non à une source intermittente telle qu'un circuit limiteur.

1. ALIMENTATION : Brancher le câble d'alimentation de la pompe à la source d'alimentation de 230 V du dispositif de traitement d'air ou à la source d'alimentation principale. Les fils sont chromocodés : BLEU = neutre ; MARRON = positif (phase) ; VERT/JAUNE = terre.
2. Il est recommandé d'intégrer un fusible de 0,20 A (vendu séparément) au câble d'alimentation de la pompe.
3. INTERRUPTEUR DE SÉCURITÉ : Le système est équipé d'un interrupteur de sécurité de haut niveau d'eau ou de trop-plein, avec un courant de commutation nominal maximum (charge résistive) de 8 A à 250 V c.a. ou de 5 A à 30 V c.c. Ce circuit est pensé pour un circuit de contrôle ou d'alarme de faible puissance et n'est pas suffisant pour une charge inductive de forte intensité. Brancher les fils comme il est décrit ci-dessous pour obtenir les résultats souhaités. Les fils de l'interrupteur de sécurité sont chromocodés : GRIS = commun ; ORANGE = normalement ouvert ; VIOLET = normalement fermé. REMARQUE : Sur certains modèles, le code de couleur apparaît seulement à l'extrémité du fil fourni, et non sur tout le fil électrique. Faire attention lorsque l'on coupe les fils pour les raccourcir.
4. CONNEXION AUX FILS C ET NC (NORMALEMENT FERMÉ) : Lorsqu'une condition de niveau d'eau élevé ou de trop-plein se produit, le circuit « normalement fermé » s'ouvre pour arrêter le compresseur, évitant ainsi un débordement et arrêtant la production de condensat. Cette opération est habituellement réalisée en coupant la section commune du thermostat basse tension. S'informer auprès du fabricant du conditionneur d'air pour savoir si cette opération est acceptable pour le conditionneur dans l'application. Si c'est le cas, confirmer le fil de thermostat dont le courant doit être coupé. Cette connexion peut aussi être utilisée sur des systèmes centralisés de régulation climatique pour commander le fonctionnement du conditionneur d'air. REMARQUE : Si une condition de haut niveau d'eau se produit avec une telle connexion, le conditionneur d'air ne doit pas fonctionner tant que la condition de haut niveau d'eau n'est pas résolue. Cette méthode ne doit pas être utilisée lorsque les besoins de chauffage et de refroidissement sont une nécessité. Dans ce cas, c'est la méthode d'alarme (circuit normalement ouvert) qui doit être utilisée.
5. CONNEXION AUX FILS C ET NO (NORMALEMENT OUVERT) : Lorsqu'une condition de niveau d'eau élevé ou de trop-plein se produit, le circuit « normalement ouvert » se ferme pour déclencher une sonnerie ou alarme (non fournies, vendues séparément), ou pour envoyer un signal au système centralisé de régulation climatique. REMARQUE : Si une condition de haut niveau d'eau se produit avec

une telle connexion, le conditionneur d'air ne s'arrête pas et peut continuer à produire de la condensation, ce qui peut entraîner des risques de débordement et d'inondation tant que la condition de haut niveau d'eau n'est pas résolue.

6. ESSAI DE FONCTIONNEMENT DE L'INTERRUPTEUR DE SÉCURITÉ : Lorsque l'installation est terminée et le conditionneur d'air et la pompe/l'unité de contrôle sont à nouveau sous tension, allumer le conditionneur et verser de l'eau dans le bac d'égouttage du dispositif de traitement d'air jusqu'à ce que la pompe démarre. REMARQUE : Arrêter de verser de l'eau si un débordement (inondation) est imminent.
7. Continuer à verser de l'eau dans le bac d'égouttage jusqu'à ce que l'interrupteur de sécurité de haut niveau d'eau se déclenche. Si l'interrupteur de sécurité est connecté à la configuration « normalement fermé » décrite ci-dessus, le conditionneur d'air devrait s'éteindre. Il devrait rester éteint jusqu'à ce que le niveau d'eau du réservoir baisse à la position Off (arrêt) de l'interrupteur.
8. Si l'interrupteur de sécurité est connecté à la configuration « normalement ouvert » décrite ci-dessus, l'alarme ou la cloche devrait retentir. L'alarme ou la cloche devrait continuer à retentir jusqu'à ce que le niveau d'eau dans le réservoir baisse à la position Off (arrêt) de l'interrupteur.
9. Arrêter de verser de l'eau dans le bac d'égouttage. Lorsque la pompe a aspiré suffisamment d'eau pour permettre à l'interrupteur de sécurité de haut niveau d'eau de se désactiver, le conditionneur d'air doit se remettre en marche ou l'alarme/la cloche doit s'arrêter, selon la configuration utilisée.

### INSTRUCTIONS D'ENTRETIEN



**ASSUREZ-VOUS QUE L'APPAREIL EST DÉCONNECTÉ DE LA SOURCE D'ALIMENTATION AVANT D'ENTREPRENDRE TOUTE TÂCHE D'ENTRETIEN OU D'ENLEVER TOUT COMPOSANT.**

Le réservoir doit être inspecté et nettoyé lors de l'entretien du conditionneur d'air ou au début de chaque saison. Chaque application est différente ; l'entretien périodique du filtre dépend de la propreté du condensat filtré.

Pour nettoyer le réservoir, déverrouillez soigneusement le réservoir de la pompe et laissez-le pivoter jusqu'à ce qu'il se décroche de la pompe. Enlevez la grille et rincez-la à l'eau courante. Enlevez la poussière ou les débris du réservoir à l'aide d'un chiffon mouillé. Le flotteur doit rester en place sur la pompe. Assurez-vous qu'il n'y a aucun dépôt calcaire autour du flotteur et qu'il peut monter et descendre facilement en fonction du niveau d'eau. Si le flotteur se détache, remontez-le simplement sur la pompe. Lors du remontage, le bord biseauté du flotteur doit être tourné vers le haut et l'aimant se trouver en haut. Faites tourner l'agrafe-ressort lors de son remontage pour la fixer dans l'encoche située à l'extrémité du poteau de la pompe.

La pompe ne contient aucune pièce réparable par l'utilisateur. La garantie est limitée uniquement au remplacement et sera annulée si la pompe est modifiée. Toute réparation de la pompe doit être effectuée par un centre de service autorisé Little Giant.

## INTRODUZIONE

Il presente manuale contiene le istruzioni per l'installazione, l'uso e la manutenzione dell'unità elettronica di rimozione condensa Little Giant serie EC-OP, una pompa concepita appositamente per rimuovere in modo automatico la condensa che gocciola dalla serpentina di evaporazione di climatizzatori split quando lo scarico per gravità non è possibile. Anche nei casi in cui lo scarico per gravità è possibile, la pompa EC-OP può rappresentare una soluzione migliore in quanto consente di collocare il tubo di scarico lungo il percorso desiderato ed elimina il rischio di ostruzione dell'aria o di intasamento nella linea di scarico.

L'unità Little Giant è stata costruita con materiali e tecniche di lavorazione della più alta qualità, in modo da assicurare anni e anni di servizio affidabile. Le pompe Little Giant vengono collaudate, ispezionate e imballate accuratamente per garantire la consegna e il funzionamento in sicurezza. Alla ricezione della pompa, esaminarla attentamente per accertarsi che non ci siano parti rotte o danneggiate a seguito della spedizione; se si riscontrano danni, identificarli e notificare il rivenditore, che fornirà l'assistenza necessaria per riparare o sostituire la pompa, se necessario.

**LEGGERE ATTENTAMENTE LE ISTRUZIONI PRIMA DI PROCEDERE ALL'INSTALLAZIONE, ALL'USO O ALLA MANUTENZIONE DELLA POMPA LITTLE GIANT; TENERE PRESENTI LE MODALITÀ DI IMPIEGO, I LIMITI E I POSSIBILI RISCHI. PROTEGGERE SÉ STESSI E GLI ALTRI OSSERVANDO TUTTE LE ISTRUZIONI PER LA SICUREZZA; LA MANCATA OSSERVAZIONE PUÒ CAUSARE INFORTUNI E/O DANNI ALLE COSE! CONSERVARE LE ISTRUZIONI PER POTERLE CONSULTARE IN FUTURO.**

### LINEE GUIDA SULLA SICUREZZA



STACCARE LA CORRENTE ELETTRICA AL PORTAFUSIBILI O ALL'INTERRUTTORE AUTOMATICO PRIMA DI ESEGUIRE INTERVENTI DI RIPARAZIONE, SCOLLEGARE IL CONNETTORE O RIMUOVERE COMPONENTI!

Non utilizzare per pompare liquidi infiammabili o esplosivi come benzina, olio combustibile, cherosene, ecc. Non utilizzare in atmosfere deflagranti.

Non maneggiare l'unità con le mani umide o su superfici bagnate o umide o in acqua.

Utilizzare un sistema di emergenza e/o un allarme in quelle installazioni in cui possa derivare un danno alla proprietà e/o alla persona per una pompa non funzionante o non ermetica a causa di interruzione di energia elettrica, occlusione delle vie di scarico, o altro motivo.

Sorreggere pompa e tubatura nel montaggio e nell'installazione. In caso contrario potrebbero verificarsi la rottura dei tubi, guasti alla pompa, ecc.

La pompa non è del tipo a immersione. Pertanto, installarla in modo da proteggerla dagli spruzzi, schizzi o gocce di acqua. Collocare la pompa in un'area in cui non esista pericolo di ingresso di acqua.

### DESCRIZIONE

IL Little Giant EC-OP è un sistema automatico di rimozione della condensa che consente di rimuovere l'acqua che gocciola dalla serpentina di evaporazione di un condizionatore d'aria con sistema split nel caso in cui non sia possibile un drenaggio a gravità. Anche



quando è possibile il drenaggio a gravità, il sistema EC-OP potrebbe essere la soluzione migliore in quanto consente di indirizzare la linea di drenaggio al punto desiderato ed eliminare la preoccupazione di linee di drenaggio ostruite o bloccate a causa della formazione di sacche d'aria.

Il sistema EC-OP è adatto per la maggior parte delle unità A/C con sistema split fino a 10 KW, ma la quantità di condensa prodotta da un condizionatore d'aria dipende dalle proprietà dell'aria interna ed esterna e dalle caratteristiche del condizionatore d'aria utilizzato. Per applicazioni specifiche, verificare con il produttore del condizionatore d'aria la quantità di condensa prodotta.

Questa unità consente ai sistemi di condizionamento dell'aria di essere collocati lontano dagli scarichi dell'acqua dal momento che la condensa può essere pompata verso uno scarico comune a una certa distanza. Il sistema EC-OP deve essere installato sotto o accanto al sistema di condizionamento dell'aria. Funziona in maniera automatica utilizzando un galleggiante/interruttore all'interno del serbatoio di raccolta d'acqua che aziona la pompa quando all'interno del serbatoio si raccolgono circa 20 mm di acqua e la disattiva quando il serbatoio drena al livello di 15 mm circa.

## PROCEDURE DI INSTALLAZIONE



**Installazione del sistema EC-OP-K (pompa, piastra di base e coperchio a parete) sotto un sistema di condizionamento dell'aria montato a parete con la dima fornita.**  
**NOTA: per eseguire la procedura non è necessario rimuovere la pompa dalla piastra di base.**

1. Individuare una posizione adeguata per la piastra di base, sotto il sistema di condizionamento dell'aria con accesso a un preforo o foro nella parte inferiore del sistema di condizionamento dell'aria.
2. Posizionare la dima di allineamento fornita al di sotto del sistema di condizionamento dell'aria in modo che la scritta "Knockout Location, path for wires and tubing" (Posizionamento preforo per passaggio cablaggi e tubazioni) sia allineata all'apertura di accesso del sistema di condizionamento dell'aria.
3. Contrassegnare le posizioni dei fori delle viti e rimuovere la dima. Utilizzando una livella, accertarsi che i due fori di montaggio siano livellati a +/- 10° circa.
4. Se si utilizzano gli ancoraggi a parete forniti, creare un foro di 5 mm e profondo 26 mm in ogni punto segnato sulla parete, quindi inserire completamente un ancoraggio in ciascun foro. **NOTA:** la pompa è configurata per l'accesso sul lato destro. In caso di installazione con accesso sul lato sinistro, estrarre la pompa, i cavi e i tubi dalla piastra di base, ruotare l'intero gruppo e inserire nuovamente i cavi e i tubi attraverso il foro di sinistra nella parte superiore della piastra di base.
5. Posizionare la pompa/piastra di base sotto il sistema di condizionamento dell'aria in modo che i fili elettrici della pompa e i tubi possano passare nelle aperture di accesso, sia dal lato destro che da quello sinistro. **NON MONTARE ANCORA LA POMPA/PIASTRA DI BASE ALLA PARETE.**
6. Inserire i cavi elettrici della pompa e i tubi nell'apertura di accesso del sistema di condizionamento dell'aria.
7. Utilizzando le viti fornite, montare la pompa/piastra di base sulla parete.
8. **TUBAZIONE DI SCARICO:** inserire la tubazione di scarico trasparente da 100 cm e diametro interno di 4 mm nel sistema di condizionamento dell'aria e collegarla a uno scarico interno oppure, lungo le linee di refrigerazione, a uno scarico esterno. Utilizzare ulteriori tubazioni, se necessario. Utilizzare l'adattatore da 4 mm a 6 mm in dotazione per collegare la tubazione intrecciata da 6,3 mm (1/4"), se necessario. Non estendere la tubazione di scarico per oltre 9 m sopra il livello della pompa. Per evitare l'effetto sifone, non estendere l'estremità della tubazione di scarico per oltre 1 m sotto il livello della pompa. Assicurarsi che non siano presenti attorcigliamenti o rotture nella tubazione di scarico.
9. **TUBAZIONE DI SFIATO:** inserire la tubazione chiara di sfiato da 20 cm e con diametro interno di 4 mm a monte nel corpo del sistema di condizionamento dell'aria, accertandosi che non siano presenti attorcigliamenti oppure ostruzioni. Non rimuovere, tagliare, ridurre, attorcigliare o curvare eccessivamente il tubo di sfiato. Non collegare il tubo al sistema di condizionamento dell'aria poiché è destinato solo allo sfiato.
10. Ispezionare la serpentina del condizionatore d'aria e rimuovere eventuale materiale esterno che potrebbe cadere nel vassoio di drenaggio/gocciolamento e penetrare nel serbatoio della pompa. Risciacquare la serpentina e il vassoio di drenaggio/gocciolamento per rimuovere eventuale materiale esterno prima di collegare la tubazione di ammissione del sistema EC-OP. **LA MANCATA OSSERVANZA DI TALE PRECAUZIONE POTREBBE CAUSARE IL GUASTO PREMATURO DELLA POMPA E/O DANNI ALLA PROPRIETÀ.**
11. **TUBAZIONE DI AMMISSIONE:** collegare il tubo di ammissione nero di diametro interno da 8 mm alla tubazione di scarico del sistema di condizionamento dell'aria. Se la tubazione di scarico è provvista di un connettore in plastica dura, potrebbe essere necessario tagliare la tubazione e rimuovere il connettore. Collegare l'estremità piccola dell'adattatore in dotazione alla tubazione di ammissione e l'estremità grande alla tubazione di scarico. L'adattatore è idoneo per tubazioni di scarico con diametro interno di 16 mm, 18 mm, 22 mm o 24 mm. Utilizzare una fascetta stringitubo o clip Jubilee® per assicurare la tubazione di scarico all'adattatore.
12. Dopo aver collegato le tubazioni di scarico, sfiato e ammissione, accertarsi che la pompa rimanga posizionata correttamente sulla piastra di base.
13. Allineare le guide del coperchio a parete alle guide della piastra di base, quindi spingere il coperchio sulla piastra di base fino a quando è bloccato in posizione (per rimuovere il coperchio, premere le linguette su entrambi i lati e tirare in avanti).

### Installazione del sistema EC-OP (solo pompa)

1. Installare la pompa in modo che il serbatoio sia sotto allo scarico del sistema di condizionamento dell'aria e possa essere alimentato per gravità dall'acqua di condensa dal vassoio di gocciolamento del sistema di condizionamento dell'aria.
2. **LA POMPA EC-OP NON È DEL TIPO A IMMERSIONE.** Accertarsi che sia posizionata in un punto lontano da schizzi, spruzzi e gocce d'acqua.
3. Per un corretto funzionamento, la pompa deve essere installata su una superficie orizzontale e piana. Accertarsi che rimanga sempre in piano nel corso di tutta la durata di esercizio. Se non posizionata a +/- 10° rispetto al piano, il funzionamento del galleggiante automatico potrebbe non essere corretto e indurre un traboccamento della pompa.

4. Il galleggiante nel serbatoio contiene un magnete. Accertarsi che il serbatoio sia posizionato ad almeno 6 mm da qualsiasi superficie metallica in modo da garantire il corretto funzionamento del galleggiante.
5. **TUBAZIONE DI SCARICO:** inserire la tubazione di scarico trasparente da 100 cm e diametro interno di 4 mm a uno scarico interno oppure, intradarla lungo le linee di refrigerazione, a uno scarico esterno. Utilizzare ulteriori tubazioni, se necessario. Utilizzare l'adattatore da 4 mm a 6 mm in dotazione per collegare la tubazione intrecciata da 6,3 mm (1/4"), se necessario. Non estendere la tubazione di scarico per oltre 9 m sopra il livello della pompa. Per evitare l'effetto sifone, non estendere l'estremità della tubazione di scarico per oltre 1 m sotto il livello della pompa. Assicurarsi che non siano presenti attorcigliamenti o rotture nella tubazione di scarico.
6. **TUBAZIONE DI SFIATO:** inserire la tubazione di sfiato trasparente da 20 cm e con diametro interno di 4 mm in posizione rivolta verso l'alto, accertandosi che non siano presenti attorcigliamenti oppure ostruzioni e che rimanga in tale posizione durante tutta la vita operativa della pompa. Non rimuovere, tagliare, ridurre, attorcigliare o curvare eccessivamente il tubo di sfiato.
7. Ispezionare la serpentina del condizionatore d'aria e rimuovere eventuale materiale esterno che potrebbe cadere nel vassoio di drenaggio/gocciolamento e penetrare nel serbatoio del compressore. Risciacquare la serpentina e il vassoio di drenaggio/gocciolamento con un prodotto approvato di pulizia per serpentine dei condizionatori d'aria in modo da rimuovere eventuale materiale esterno prima di collegare il serbatoio EC-OP. **LA MANCATA OSSERVANZA DI TALE PRECAUZIONE POTREBBE CAUSARE IL GUASTO PREMATURO DELLA POMPA E/O DANNI ALLA PROPRIETÀ.**
8. **TUBAZIONE DI AMMISSIONE:** collegare il tubo di ammissione nero di diametro interno da 8 mm allo scarico della condensa del condizionatore d'aria. Se la tubazione di scarico è provvista di un connettore in plastica dura, potrebbe essere necessario tagliare la tubazione e rimuovere il connettore. Collegare l'estremità piccola dell'adattatore in dotazione alla tubazione di ammissione e l'estremità grande alla tubazione di scarico. L'adattatore è idoneo per tubazioni di scarico con diametro interno di 16 mm, 18 mm, 22 mm o 24 mm. Utilizzare una fascetta stringitubo o clip Jubilee® per assicurare la tubazione di scarico all'adattatore. Se lo scarico della condensa è provvisto di un foro di scarico in metallo, ad esempio come sui ventilconvettori (fan coil), utilizzare l'adattatore in dotazione e collegarlo al connettore di scarico utilizzando un manicotto flessibile (non in dotazione).

### Note di installazione (tutti i modelli):

L'estremità del tubo di scarico non deve essere posizionata al di sotto di 1 metro rispetto al serbatoio della pompa. In caso contrario, potrebbe verificarsi un effetto sifone che impedirebbe l'adescamento della pompa. Ciò causerebbe la ripetizione dell'adescamento della pompa ad ogni ciclo, con conseguente rumorosità e riduzione della vita della pompa.

**NON** posizionare la pompa accanto a materiale di isolamento o infiammabile.

Assicurarsi che non siano presenti strozzature o attorcigliamenti nelle tubazioni. Tenere le tubazioni e i cavi lontani dalle parti in movimento del sistema di condizionamento dell'aria.

Vedere la curva caratteristica per informazioni sulla frequenza di flusso tipica e la quantità massima di condensa che è possibile rimuovere per ogni specifica prevalenza di mandata. La corsa orizzontale massima dipende dal diametro della tubazione utilizzata e dall'alzata verticale. Nel grafico delle prestazioni sono riportati valori tipici. I valori effettivi potrebbero variare leggermente da pompa a pompa. Il progettista del sistema dovrebbe applicare un coefficiente di sicurezza ragionevole e dimensionare la pompa in modo tale che possa gestire una frequenza di flusso superiore rispetto alla condensa massima da produrre.

Al termine dell'installazione, verificare la pompa e tutti i collegamenti, accertandosi che l'acqua venga pompata fino al punto di scarico.

## COLLEGAMENTI ELETTRICI



**STACCARE LA CORRENTE ELETTRICA AL PORTAFUSIBILI O ALL'INTERRUTTORE AUTOMATICO PRIMA DI COLLEGARE I CAVI DI ALIMENTAZIONE. TUTTI I CABLAGGI DEVONO ESSERE CONFORMI ALLE NORME LOCALI ELETTRICHE E EDILI, NONCHÉ ALLE NORMATIVE ELETTRICHE NAZIONALI IN VIGORE. CONSULTARE LA TARGHETTA NOMINATIVA DELLA CENTRALINA PER INFORMAZIONI SULLA TENSIONE APPROPRIATA RICHIESTA. NON COLLEGARE A TENSIONI DIVERSE DA QUELLE INDICATE SULL'ETICHETTA DELLA POMPA.**

L'EC-OP è stato concepito per essere utilizzato con un conduttore di massa. Per ridurre il rischio di scosse elettriche, collegare il cavo a massa a un apposito circuito dotato di messa a terra. Si consiglia l'utilizzo di un interruttore differenziale salvavita. Tutti i cablaggi devono essere eseguiti da un tecnico qualificato abilitato ai sensi delle normative locali e nazionali.

Per garantire prestazioni ottimali, collegare la pompa a un circuito separato con arresto dell'alimentazione dal condizionatore d'aria. La centralina/pompa deve essere collegata a una fonte di alimentazione continua e non a una fonte intermittente quale una ventola o un circuito di comando protetto.

1. **ALIMENTAZIONE:** collegare i fili elettrici dalla pompa all'alimentazione al sistema di condizionamento dell'aria da 230 V o all'alimentazione principale. I cavi di alimentazione sono differenziati in base al colore: BLU = neutro, MARRONE = sotto tensione (fase) e VERDE/GIALLO = terra (massa).
2. Dotare il cavo di alimentazione al gruppo pompa con un fusibile di 0,20 Amp (non in dotazione).
3. **INTERRUTTORE DI SICUREZZA:** l'unità è dotata di un interruttore di sicurezza in caso di livello elevato dell'acqua o di traboccamento con una corrente di commutazione nominale massima (carico resistivo) di 8 amp a 250 V CA o 5 amp a 30 V CC. Questo circuito è stato concepito per condurre un circuito di controllo o di allarme in caso di bassa tensione e non è sufficiente per operare e commutare un carico induttivo ad amperaggio elevato. Collegare i cavi come descritto di seguito per ottenere la risposta desiderata. I cavi dell'interruttore di sicurezza sono differenziati in base al colore: GRIGIO = comune, ARANCIONE = normalmente aperto e VIOLA = normalmente chiuso. **NOTA:** su alcune unità, la codifica a colori è visibile solo all'estremità del cavo in dotazione e non è riportata sulla lunghezza totale del cavo stesso. Prestare la massima attenzione nel caso in cui si dovesse tagliare il cavo.
4. **COLLEGAMENTO AI CAVI C E NC (NORMALMENTE CHIUSI):** in caso di livello elevato dell'acqua o di traboccamento, i circuiti normalmente chiusi si aprono in modo da disattivare il compressore, interrompendo così il flusso dell'acqua di

condensa. In genere ciò avviene interrompendo il ramo comune del termostato a bassa tensione. Per l'applicazione specifica, verificare con il produttore del condizionatore d'aria se tale condizione è accettabile. Se accettabile, confermare quale cavo del termostato deve essere interrotto. Questo collegamento può essere utilizzato anche con sistemi di controllo ambientali centralizzati per il controllo del funzionamento del condizionatore d'aria. **NOTA:** in tal caso, se si verifica un innalzamento del livello dell'acqua, il condizionatore d'aria non dovrebbe essere attivato fino alla risoluzione del problema. Tale metodo non dovrebbe essere utilizzato nel caso in cui i requisiti di raffreddamento o riscaldamento rappresentino una necessità. In questo caso è preferibile utilizzare il metodo allarme (circuito normalmente aperto).

- COLLEGAMENTO AI CAVI C E NO (NORMALMENTE APERTI):** in caso di livello elevato dell'acqua o di traboccamento, il circuito normalmente aperto si chiude per attivare un campanello o un allarme (non in dotazione, da acquistare separatamente) o per inviare un segnale a un sistema di controllo ambientale centralizzato. **NOTA:** in tal caso, se si verifica un innalzamento del livello dell'acqua o un traboccamento, il condizionatore d'aria non viene arrestato e potrebbe continuare a produrre condensa, creando eventualmente un rischio di traboccamento e di allagamento fino alla risoluzione del problema.
- VERIFICA DEL FUNZIONAMENTO DELL'INTERRUTTORE DI SICUREZZA:** al termine dell'installazione e del ripristino dell'alimentazione del condizionatore d'aria e della centralina/pompa, accendere il condizionatore d'aria, versare acqua nel vassoio di scarico del sistema di condizionamento dell'aria fino a quando la pompa viene energizzata. **NOTA:** non continuare a versare acqua nel caso in cui sia imminente un traboccamento (allagamento).
- Continuare a versare acqua nel vassoio di scarico fino all'attivazione dell'interruttore di sicurezza del livello elevato di acqua/traboccamento. Se l'interruttore di sicurezza è collegato alla configurazione normalmente chiusa descritta sopra, il condizionatore d'aria dovrebbe spegnersi. Dovrebbe rimanere spento fino a quando la pompa abbassa il livello di acqua nel serbatoio fino alla posizione off.
- Se l'interruttore di sicurezza è collegato alla configurazione normalmente aperta descritta sopra, l'allarme o il campanello dovrebbero suonare. L'allarme o il campanello dovrebbero continuare a suonare fino a quando la pompa abbassa il livello di acqua nel serbatoio fino alla posizione off.
- Non versare più acqua nel serbatoio di scarico. Quando la pompa ha rimosso una quantità sufficiente di acqua per consentire la disattivazione dell'interruttore di sicurezza in caso di livello elevato dell'acqua, il condizionatore d'aria dovrebbe accendersi oppure l'allarme o il campanello dovrebbero smettere di suonare, a seconda della configurazione utilizzata.

### ISTRUZIONI PER L'ASSISTENZA



#### ASSICURARSI CHE L'UNITÀ NON SIA COLLEGATA ALLA FONTE DI ALIMENTAZIONE PRIMA DI EFFETTUARE INTERVENTI DI ASSISTENZA O RIMUOVERE EVENTUALI COMPONENTI.

Ispezionare e pulire il serbatoio quando si eseguono interventi di assistenza sul condizionatore d'aria e all'inizio di ogni stagione. Ogni applicazione è differente e l'intervallo di sostituzione del filtro dipende dalla pulizia dell'acqua di condensa filtrata.

Per pulire il serbatoio, sganciarlo con cura dalla pompa. Il serbatoio ruoterà verso il basso e si sgancerà dalla pompa. Rimuovere la rete e risciacquare sotto acqua corrente. Utilizzare uno straccio bagnato per rimuovere la polvere o lo sporco dal serbatoio. Il galleggiante deve rimanere in posizione sulla pompa. Accertarsi che non sia un cumulo di materiale attorno al galleggiante e che possa muoversi liberamente in alto e in basso rispetto al livello dell'acqua. In caso di caduta del galleggiante, è sufficiente rimontarlo sulla pompa. In fase di rimontaggio, assicurarsi che il lato smusso del galleggiante sia in alto e il magnete sulla parte superiore. Ruotare la clip a molla durante la procedura di montaggio e bloccarla nell'incavo all'estremità della postazione della pompa.

All'interno della pompa non vi sono pezzi su cui effettuare interventi di manutenzione. La garanzia è limitata esclusivamente alla sostituzione e verrà annullata se la pompa viene manomessa. Eventuali interventi di riparazione sulla pompa devono essere autorizzati dal centro assistenza Little Giant.

## INLEIDING

Dit instructieblad verschaft u de benodigde informatie om het Little Giant elektronisch condensaatvoerapparaat veilig en op de juiste manier te gebruiken.

De afwerking en het materiaal van de door u gekochte Little Giant-eenheid zijn van de hoogste kwaliteit. De pomp werd ontworpen voor langdurig en probleemloos gebruik. Little Giant-pompen worden zorgvuldig verpakt, geïnspecteerd en getest om de veilige werking en levering ervan te verzekeren. Controleer de pomp na ontvangst zorgvuldig om te zien of er tijdens de verzending onderdelen beschadigd of stuk gegaan zijn. Noteer alle eventuele beschadigingen en stel het bedrijf waar de pomp is gekocht op de hoogte. Zij zullen u zo nodig de vervanging of reparatie van dienst zijn.

**LEES VÓÓR DE INSTALLATIE EN HET GEBRUIK VAN, OF ONDERHOUD AAN DE LITTLE GIANT-POMP DE INSTRUCTIES ZORGVULDIG. ZORG ERVOOR DAT U VERTROUWD BENT MET DE TOEPASSING, BEPERKINGEN EN MOGELIJKE GEVAREN VAN DE POMP. BESCHERM UZELF EN ANDEREN DOOR ALLE VEILIGHEIDSGEVAREN IN ACHT TE NEMEN. NALATEN DE INSTRUCTIES NA TE LEVEN KAN PERSOONLIJK LETSEL EN/OF EIGENDOMSSCHADE TOT GEVOLG HEBBEN! BEWAAR DEZE INSTRUCTIES VOOR LATER GEBRUIK.**

### VEILIGHEIDSRICHTLIJNEN



SCHAKEL DE ELEKTRICITEIT UIT OP DE ZEKERING-OF DE STROOMONDERBREKER KAST VOORDAT WORDT GEPROBEERD ONDERHOUD UIT TE VOEREN, DE AANSLUITING TE ONTKOPPELEN OF ONDERDELEN TE VERWIJDEREN!

Niet gebruiken om brandgevaarlijke of ontplofbare vloeistoffen zoals benzine, brandstofolie, kerosine, enz. te pompen. Niet gebruiken in explosieve atmosferen.

Het apparaat niet bedienen met natte handen of wanneer u op een nat of vochtig oppervlak of in water staat.

In elke installatie waar eigendomsschade en/of persoonlijk leed zich kan voordoen als gevolg van een niet-werkende of lekke pomp wegens stroomstoringen, verstopping van de afvoerleiding of om het even welke reden moet/moeten (een) back-upsysteem/systemen en/of alarmsignaal gebruikt worden.

Ondersteun de pomp en leidingen tijdens de montage en na de installatie. Nalaten dit te doen kan het breken van de leidingen, falen van de pomp, enz. tot gevolg hebben.

De pompeenheid mag niet worden ondergedompeld en moet zodanig geïnstalleerd worden dat er geen water in kan spatten, sproeien of druppelen. Plaats de pomp in een gebied waar er geen gevaar voor het binnendringen van water bestaat.

### BESCHRIJVING

De Little Giant EC-OP is een automatisch systeem voor condensaatverwijdering, dat het water verwijdert wat uit de verdampingspiraal van een splitsysteem airconditioner druipt wanneer afvoer door zwaartekracht niet mogelijk is. Zelfs wanneer zwaartekracht drainage wel mogelijk is kan de EC-OP desondanks een betere keuze zijn, die u de vrijheid verschaft de afvoerleiding aan te leggen waar u dat wilt, en de zorgen over een verstopte afvoerleiding of luchtbeulen in de afvoerleiding uit de weg ruimt.

De EC-OP is geschikt voor de meeste splitsysteem airconditioners t/m 10 KW, maar de hoeveelheid door een airconditioner voortgebrachte condensaat hangt af van de eigenschappen van de binnen- en buitenlucht, en van de kenmerken van de gebruikte airconditioner. Raadpleeg de fabrikant van de airconditioner over de hoeveelheid condensaat die bij een bepaalde toepassing zal ontstaan.

Dit apparaat maakt het mogelijk de luchtverwerkers weg van het waterafvoersysteem te plaatsen, omdat het condensaat naar een gemeenschappelijke afvoer op enige afstand kan worden gepompt. De EC-OP moet onder of naast de luchtverwerkers gemonteerd worden. Het systeem werkt automatisch met een vlotter/schakelaar in het wateropvangreservoir die de pomp inschakelt wanneer reservoir ongeveer 20 mm water in het reservoir heeft verzameld, en uitschakelt wanneer het reservoir tot ongeveer 15 mm gedaald is.

### INSTALLATIEPROCEDURES



**Installatie van de EC-OP-K (pomp, grondplaat en muurafdekking) onder een muurmontage-luchtverwerker met gebruik van de bijgeleverde sjabloon. NB: Voor het uitvoeren van deze procedure is het niet noodzakelijk de pomp van de grondplaat te verwijderen.**

- Zoek een geschikte positie voor de grondplaat onder de luchtverwerker met toegang tot een uitdrukpat of gat onderin de luchtverwerker.
- Plaats de bijgeleverde uitlijnsjabloon onder de luchtverwerker, zodanig dat de woorden "Knockout Location, path for wires and tubing" ("Uitdrukplaats, pad voor bedrading en slangen") op één lijn staan met de toegangsopening van de luchtverwerker.
- Markeer de locaties van de schroefgaten en verwijder de sjabloon. Gebruik een waterpas en zorg ervoor dat de twee montagegaten vlak tot binnen +/- 10 graden liggen.
- Bij gebruik van de bijgeleverde muurankers boort u een 5 mm gat van 26 mm diep op elk op de muur gemarkeerd punt. Steek daarna een anker volledig in elk gat. **NB:** De pomp is geconfigureerd voor toegang aan de rechterkant. Bij installatie voor toegang aan de linkerkant trekt u de pomp, bedrading en slangen recht uit de grondplaat, draai de assemblage om en leid de bedrading en slangen omhoog door het linkse gat bovenin de grondplaat.
- Plaats de pomp/grondplaatassemblage onder de luchtverwerker, zodanig dat de elektrische draden en slangen van de pomp in de toegangsoeningen aan de rechter- of linkerkant van de luchtverwerker kunnen gaan. **MAAK DE POMP/GRONDPLAATASSEMBLAGE NU NOG NIET AAN DE MUUR VAST.**
- Steek de elektrische bedrading en slangen van de pomp in de toegangsoening van de luchtverwerker.
- Gebruik de bijgeleverde schroeven en maak de pomp/grondplaatassemblage aan de muur vast.
- AFVOERSLANG:** Leid de doorzichtige, 100 cm lange afvoerslang van 4 mm binnendiameter door de luchtverwerker en naar een binnenafwatering, of langs de koelleidingen naar een buitenafwatering. Gebruik indien noodzakelijk een extra slang. Gebruik indien noodzakelijk de bijgeleverde 4 mm tot 6 mm adapter voor aansluiting op een 6,3 mm (1/4 in.) gevlochten slang. Strek de afvoerslang niet verder dan 9 m uit boven het niveau van de pomp. Om een heveleffect te voorkomen moet het uiteinde van de afvoerslang niet meer dan 1 m beneden het niveau van de pomp liggen. Zorg ervoor dat de afvoerslang geen knikken of breuken heeft.
- VENTILATIESLANG:** Leid de doorzichtige, 20 cm lange ventilatieslang van 4 mm binnendiameter omhoog in de behuizing van de luchtverwerker, en zorg ervoor dat hij geen knikken heeft of geblokkeerd wordt. De ventilatieslang niet verwijderen, afsnijden, inkorten, verdraaien of scherp buigen. Deze slang niet op de luchtverwerker aansluiten: hij is uitsluitend voor ventilatie.
- Inspecteer de airconditionerspiraal en verwijder alle vreemde materialen die in de afvoer/druipbak kunnen vallen en in het pompreservoir kunnen raken. Spoel de spiraal en afvoer/druipbak om alle vreemde materialen te verwijderen vóór aansluiting op de EC-OP-inlaatslang. **NALATEN DIT TE DOEN KAN VROEGTIJDIG FALLEN VAN DE POMP EN/OF EIGENDOMSSCHADE TOT GEVOLG HEBBEN.**
- INLAATSLANG:** Sluit de zwarte inlaatslang van 8 mm binnendiameter aan op de afvoerslang van de luchtverwerker. Als de afvoerslang een aansluiting van hard plastic heeft, kan het noodzakelijk zijn de slang af te snijden en de aansluiting te verwijderen. Sluit het nauwe uiteinde van de bijgeleverde adapter aan op de inlaatslang, en het brede uiteinde op de afvoerslang. De adapter past op een afvoerslang met een binnendiameter van 16 mm, 18 mm, 22 mm of 24 mm. Gebruik een slangklef of Jubilee®-clip om de afvoerslang aan de adapter vast te maken.
- Na aansluiting van de afvoer-, ventilatie- en inlaatslang moet u ervoor zorgen dat de pomp nog juist op de grondplaat geplaatst is.
- De geleiders van de muurafdekking met de geleiders van de grondplaat uitlijnen. Druk de afdekking daarna op de grondplaat totdat hij op zijn plaats klikt. (Om de afdekking te verwijderen drukt u op de snelsluitingen aan beide kanten van de afdekking en trekt u hem naar voren.)

## De EC-OP installeren (alleen de pomp)

1. Installeer de pomp zodanig dat het reservoir beneden de afvoer van de luchtverwerker geplaatst is en door zwaartekracht wordt gevoed met condensatiewater uit de druiptank van de luchtverwerker.
2. DE EC-OP-POMP MAG NIET ONDERGEDOMPELD WORDEN. Zorg ervoor dat de pomp geplaatst wordt waar er geen water op kan spatten, sproeien of druppelen.
3. Voor de juiste werking moet de pomp horizontaal geïnstalleerd zijn. Zorg ervoor dat de pomp tijdens de gebruiksduur ervan waterpas blijft. Als hij niet binnen +/- 10 graden waterpas staat is het mogelijk dat de automatische werking van de vlotter faalt, wat overflow van de pomp tot gevolg kan hebben.
4. De vlotter in het reservoir bevat een magneet. Zorg ervoor dat het reservoir op minstens 6 mm afstand van metalen oppervlakken staat, om te verzekeren dat de vlotter op de juiste manier werkt.
5. AFVOERSLANG: Leid de doorzichtige, 100 cm lange afvoerslang van 4 mm binnendiameter naar een binnenafwatering, of langs de koelleidingen naar een buitenafwatering. Gebruik indien noodzakelijk een extra slang. Gebruik indien noodzakelijk de bijgeleverde 4 mm tot 6 mm adapter voor aansluiting op een 6,3 mm (1/4 in.) gevlochten slang. Strek de afvoerslang niet verder dan 9 m uit boven het niveau van de pomp. Om een heveffect te voorkomen moet het uiteinde van de afvoerslang niet meer dan 1 m beneden het niveau van de pomp liggen. Zorg ervoor dat de afvoerslang geen knikken of breuken heeft.
6. VENTILATIESLANG: Installeer de doorzichtige, 20 cm lange ventilatieslang van 4 mm binnendiameter in een omhooggaande positie, zorg ervoor dat hij geen knikken heeft of geblokkeerd wordt en tijdens de gebruiksduur van de pomp rechtop blijft. De ventilatieslang niet verwijderen, afsnijden, inkorten, verdraaien of scherp buigen.
7. Inspecteer de airconditionerspiraal en verwijder alle vreemde materialen die in de afvoer/druiptank kunnen vallen en in het pompreservoir kunnen raken. Spoel de spiraal en afvoer/druiptank met een goedgekeurd reinigingsproduct voor airconditionerspiralen om alle vreemde materialen te verwijderen vóór aansluiting op het EC-OP-reservoir. **NALATEN DIT TE DOEN KAN VROEGTIJDIG FALEN VAN DE POMP EN/OFF EIGENDOMSSCHADE TOT GEVOLG HEBBEN.**
8. INLAATSLANG: Sluit de zwarte inlaatslang van 8 mm binnendiameter aan op de condensaatafvoer van de airconditioner. Als de afvoerslang een aansluiting van hard plastic heeft, kan het noodzakelijk zijn de slang af te snijden en de aansluiting te verwijderen. Sluit het nauwe uiteinde van de bijgeleverde adapter aan op de inlaatslang, en het brede uiteinde op de afvoerslang. De adapter past op een afvoerslang met een binnendiameter van 16 mm, 18 mm, 22 mm of 24 mm. Gebruik een slangklem of Jubilee®-clip om de afvoerslang aan de adapter vast te maken. Als de condensaatafvoer een metalen afvoerpoort heeft zoals die op een ventilatorspoel, gebruikt u de bijgeleverde adapter voor koppeling op de afvoeraansluiting met een buigbare slang (niet bijgeleverd).

## Installatieaantekeningen (alle modellen):

Het uiteinde van de afvoerslang moet niet lager dan 1 m beneden het pompreservoir geplaatst zijn. Er kan anders een heveffect optreden, waardoor de pomp zijn voorvulling verliest. Dit zou tot gevolg hebben dat de pomp zichzelf tijdens elke cyclus opnieuw moet voorvullen, wat een lawaaige werking en verkorte levensduur van de pomp tot gevolg heeft.

Plaats de pomp NIET in de nabijheid van isolatie- of andere brandgevaarlijke materialen.

Zorg ervoor dat er zich geen scherpe bochten of knikken in de slangen bevinden. Houd alle slangen en bedrading op afstand van bewegende onderdelen in de luchtverwerker.

Zie de prestatiecurve voor het typische debiet van de pomp en de maximale hoeveelheid condensatie die voor elke willekeurige afvoerkanal kan worden verwijderd. De maximale horizontale werking hangt af van de diameter van de gebruikte slang en van de verticale opvoerhoogte. De prestatiegrafieken tonen de typische waarden; de feitelijke waarden kunnen enigszins verschillen van pomp tot pomp. De systeemontwerper moet een redelijke veiligheidsfactor in acht nemen en een pompcapaciteit installeren die een hoger debiet kan verwerken dan de maximale voort te brengen hoeveelheid condensaat.

Na voltooiing van de installatie moeten de pomp en alle aansluitingen getest worden, en moet erop worden gelet dat er water naar het afvoerpunt wordt gepompt.

## ELEKTRISCHE AANSLUITINGEN



**VOORDAT DE STROOMKABELS WORDEN AANGESLOTEN, MOET DE ELEKTRICITEIT WORDEN UITGESCHAKELD OP DE ZEKERING- OF DE STROOMONDERBREKERKAST. ALLE BEDRADING MOET VOLDOEN AAN DE PLAATSSELIJKE ELEKTRICITEITSCODES EN BOUWVERORDENINGEN, EN DE MEEST RECENTE NATIONALE ELEKTRICITEITSNORMEN. RAADPLEEG HET ETIKET OP DE REGELINSTALLATIE VOOR HET JUISTE VOLTAGE DAT VEREIST WORDT. NIET OP EEN ANDER VOLTAGE AANSLUITEN DAN WAT OP HET ETIKET VAN DE POMP AANGEGEVEN WORDT.**

De EC-OP is ontworpen voor gebruik met een aardleiding. Om het risico van elektrische schok te verminderen, moet de aardleidingkabel op een goed geaard circuit worden aangesloten. Het gebruik van een aardlekschakelaar verdient aanbeveling. Alle bedrading moet door een erkende installateur worden uitgevoerd die door de plaatselijke voorschriften en nationale normen is goedgekeurd.

Voor de beste prestaties moet de pomp op een afzonderlijk circuit met stroomafsluiting van de airconditioner worden aangesloten. De regelinstallatie/pomp moet op een ononderbroken stroomtoevoer aangesloten zijn, en niet op een intermitterende stroombron zoals een ventilator of circuit met limietregeling.

1. STROOMTOEVOER: Sluit de elektriciteitsdraden van de pomp aan op de 230 V stroomtoevoer van de luchtverwerker, of op de netspanning. De stroomkabels zijn voorzien van kleurcodes: BLAUW = neutraal, BRUIN = live (onder stroom) (fase) en GROEN/GEEL = aardleiding (aarding).
2. Een zekering van 0,20 A (moet apart aangeschaft worden) dient in de voedingskabel naar de pompenheid te worden aangebracht.
3. VEILIGHEIDSSCHAKELAAR: Dit apparaat is uitgerust met een hoogwater- ofwel overflow-veiligheidsschakelaar met schakelstroom (weerstandbelasting) met maximaal vermogen van 8 A op 250 V wisselstroom of 5 A op 30 V gelijkstroom. Dit stroomcircuit is bedoeld voor het bekrachtigen van een lage stroomregelaar of alarmcircuit, en is niet voldoende voor gebruik van, en schakelen met een

inductieve belasting van hoge stroomsterkte. Sluit de draden zoals hieronder beschreven aan voor het verkrijgen van de gewenste reactie. De draden van de veiligheidschakelaar zijn voorzien van kleurcodes: GRIJS = algemeen, ORANJE = normaal geopend en PAARS = normaal gesloten. NB: Op sommige apparaten is de kleurcodering alleen zichtbaar aan het uiteinde van de bijgeleverde draad, en wordt niet langs de volledige lengte van de draad getoond. Wees voorzichtig wanneer u de draden tot een kortere lengte afsnijdt.

4. AANSLUITING OP C EN NC (NORMAAL GESLOTEN) DRADEN: Bij een hoogwater- of overflowconditie wordt het normaal gesloten circuit geopend om de compressor uit te schakelen, en de condensatiewaterstroom zodoende te stoppen. Dit wordt typisch gedaan door de gemeenschappelijke steun van de laagspanningstermostaat te breken. Raadpleeg de fabrikant van de airconditioner om te bevestigen dat dit aanvaardbaar is voor de airconditioner in uw toepassing. Als dat het geval is, bevestigt u welke thermostaatdraad moet worden onderbroken. Deze aansluiting kan ook worden gebruikt met centrale systemen die de werking van de airconditioner regelen en aanpassen aan de omgeving. NB: Indien op deze manier aangesloten en er zich een hoogwaterconditie voordoet, de airconditioner niet inschakelen totdat de hoogwaterconditie opgelost is. Deze methode niet gebruiken wanneer afkoeling of verwarming vereist is; in een dergelijk geval moet de alarmmethode (normaal geopend circuit) worden gebruikt.
5. AANSLUITING OP C EN NO (NORMAAL GEOPEND) DRADEN: Bij een hoogwater- of overflowconditie wordt het normaal geopende circuit gesloten en wordt een bel- of alarmsignaal geactiveerd (niet bijgeleverd, moet apart aangeschaft worden), of wordt een signaal naar een centraal systeem voor milieucontrole gezonden. NB: Indien op deze manier aangesloten en er giet u daarna water in de afvoerbak van de luchtverwerker, totdat de pomp in werking gesteld wordt. NB: Blijf geen water bijvullen wanneer er een overflowconditie (overstroming) dreigt.
7. Blijf water in de afvoerbak gieten totdat de hoogwater-/overflow-veiligheidsschakelaar geactiveerd wordt. Wanneer de veiligheidschakelaar op de hierboven beschreven normaal gesloten-configuratie aangesloten is, moet de airconditioner uitschakelen. Hij moet uitgeschakeld blijven totdat de pomp het waterpeil in het reservoir tot op de uit-stand verlaagt.
8. Wanneer de veiligheidschakelaar op de hierboven beschreven normaal geopend-configuratie aangesloten is, moet het alarm- of belseignaal afgaan. Het alarm- of belseignaal moet blijven afgaan totdat de pomp het waterpeil in het reservoir tot op de uit-stand verlaagt.
9. Stop het bijvullen met water in de afvoerbak. Nadat de pomp voldoende water heeft afgevoerd om de hoogwater-veiligheidsschakelaar te inactiveren, moet de airconditioner inschakelen of het alarm- of belseignaal moet stoppen, wat afhangt van de gebruikte configuratie.

## ONDERHOUDSINSTRUCTIES



**ZORG ERVOOR DAT HET APPARAAT VAN DE STROOMTOEVOER AFGESLOTEN IS VOORDAT WORDT GEPROBEERD ONDERHOUD UITTE VOEREN OF ONDERDELEN TE VERWIJDEREN.**

De reservoirtank moet geïnspecteerd en schoongemaakt worden wanneer er onderhoud aan de airconditioner verricht wordt, en tevens aan het begin van elk seizoen. Elke toepassing is verschillend, en het onderhoudsinterval voor het filter hangt ervan af hoe schoon het condensatiewater is dat gefiltreerd wordt.

Om het schoon te maken, moet het reservoir voorzichtig van de pompenheid worden losgemaakt; het reservoir draait omlaag en wordt van de pomp losgekoppeld. Verwijder het maasscherm en spoel af onder stromend water. Gebruik een vochtige doek om stof en vuil uit het reservoir te verwijderen. De vlotter moet op zijn plaats in de pompenheid blijven. Controleer op opeenhoping rondom de vlotter en of de vlotter gemakkelijk met het waterpeil op en neer kan bewegen. Als de vlotter eruit zou vallen, kunt u hem eenvoudigweg weer in de pompenheid zetten. Bij het opnieuw plaatsen moet u ervoor zorgen dat de afgeschuinde rand van de vlotter naar boven gericht is en dat de magneet bovenaan zit. Draai de veerklem tijdens het opnieuw aanbrengen zodat hij in de inkeping op het uiteinde van het staafje van de pompenheid vergrendeld zit.

De pomp bevat geen onderdelen waaraan de gebruiker onderhoud kan verrichten. De garantie is uitsluitend beperkt tot vervanging, en is ongeldig indien er met de pomp geknoeid is. Alle reparaties aan de pomp moeten door een erkend Little Giant-servicecentrum worden uitgevoerd.

**TROUBLESHOOTING INFORMATION • INFORMACION SOBRE LA DETECCION Y SOLUCION DE PROBLEMAS •  
STÖRUNGSSUCHE • INFORMATIONS DE DÉPANNAGE • GUIDA ALLA SOLUZIONE DEI PROBLEMI • PROBLEEMPLOSSING**

<b>PROBLEM</b>	<b>PROBABLE CAUSES</b>	<b>CORRECTIVE ACTION</b>
Pump does not turn on	Voltage is not getting to pump	Check incoming voltage to control unit Check to insure fuse on incoming power line is not blown
	Faulty reservoir	Float could be stuck in down position
Pump does not deliver rated capacity	Kinked tubing Lift too high for pump	Check to be sure pump discharge tubing is not kinked Check rated pump performances
Pump has to prime occasionally	Ends of discharge could be lower than reservoir	Check to be sure the end of the discharge hose is not lower than 1 meter below the reservoir
Pump runs but does not discharge liquid	Suction screen clogged	Clean filter screen. Remove all debris in reservoir
Pump cycles continually or won't shut off	Faulty reservoir	Release float stuck in the "ON" position Check to be sure reservoir is level
Pump burns out	Pump runs dry	Release float stuck in the "ON" position
<b>PROBLEMA</b>	<b>CAUSAS PROBABLES</b>	<b>MEDIDA CORRECTIVA</b>
La bomba no se enciende	La bomba no recibe voltaje	Compruebe el voltaje entrante a la unidad de control Compruebe que el fusible en la línea de energía entrante no esté quemado
	Depósito averiado	El flotador puede estar atascado en la posición hacia abajo
La bomba no entrega la capacidad estipulada	Tubería doblada La altura de elevación es demasiado alta para la bomba	Compruebe que la tubería entre el depósito y la bomba no está doblada o en descarga Revise el rendimiento estipulado de la bomba
La bomba tiene que cebarse de vez en cuando	Los extremos de descarga pueden estar por debajo del depósito	Compruebe que el extremo de la manguera de descarga no esté por debajo de 1 metro del depósito
La bomba funciona pero no descarga líquido	La malla de succión está tapada	Limpie la malla del filtro. Quite todo desecho del depósito
La bomba funciona de manera continua o no se apaga	Depósito averiado	Libere el flotador que está atascado en la posición "ENCENDIDO" Compruebe que el depósito esté nivelado
La bomba se quema	La bomba funciona sin agua	Libere el flotador que está atascado en la posición "ENCENDIDO"
<b>PROBLEM</b>	<b>MÖGLICHE URSACHEN</b>	<b>KORREKTURMASSNAHME</b>
Pumpe lässt sich nicht einschalten	Pumpe wird nicht mit Netzspannung versorgt	Netzspannung zum Steuermodul überprüfen Netzisierung überprüfen
	Defekter Wasserauffangbehälter	Schwimmer klemmt in abgesenkter Position
Pumpe pumpt unzureichend	Knick in Leitung Zu hoher Hub für Pumpe	Leitung zwischen Behälter und Pumpe oder am Abfluss darf keine Knickstellen aufweisen Nennleistung der Pumpe überprüfen
Pumpe muss gelegentlich erneut ansaugen	Abflussenden liegen unter dem Behälter	Sicherstellen, dass das Ende des Abflussschlauchs nicht mehr als 1 m unter dem Wasserauffangbehälter liegt
Pumpe läuft, ohne Flüssigkeit anzupumpen	Sieb am Saugende verstopft	Filtersieb säubern. Wasserauffangbehälter säubern.
Pumpe schaltet sich ständig ein und aus oder schaltet nicht ab	Defekter Wasserauffangbehälter	Schwimmer klemmt in EIN-Position und muss gelöst werden
Pumpe brennt durch	Pumpe läuft trocken	Wasserauffangbehälter auf waagerechte Position überprüfen Schwimmer klemmt in EIN-Position und muss gelöst werden
<b>PROBLÈME</b>	<b>CAUSES PROBABLES</b>	<b>MESURE CORRECTIVE</b>
La pompe ne se met pas en marche	Le courant n'arrive pas à la pompe	Vérifiez la tension d'entrée à l'unité de contrôle Assurez-vous que le fusible de la ligne d'entrée de l'alimentation n'est pas grillé
	Réservoir défectueux	Le flotteur peut être bloqué en position basse
La pompe ne fournit pas la capacité nominale	Tuyau pincé	Vérifiez que le tuyau n'est pas pincé entre le réservoir et la pompe ou au niveau du refoulement
	Dénivellation trop importante pour la pompe	Vérifiez les performances nominales de la pompe
La pompe doit s'amorcer occasionnellement	Les extrémités du refoulement peuvent être plus bas que le réservoir	Vérifiez que l'extrémité du tuyau de refoulement ne se trouve pas à plus d'un mètre en dessous du réservoir
La pompe fonctionne, mais ne refoule pas de liquide	Grille d'aspiration bouchée	Nettoyez la grille de filtrage Enlevez tous les débris du réservoir
La pompe tourne continuellement ou ne s'arrête pas	Réservoir défectueux	Dégagez le flotteur bloqué en position « Marche » Vérifiez que le réservoir est de niveau
La pompe est grillée	La pompe tourne à sec	Dégagez le flotteur bloqué en position « Marche »
<b>PROBLEMA</b>	<b>CAUSE PROBABILI</b>	<b>INTERVENTO</b>
La pompa non si avvia	Alla pompa non viene applicata tensione	Controllare la tensione applicata all'unità di controllo. Controllare se è intervenuto il fusibile inserito nella linea di alimentazione.
	Serbatoio guasto	Controllare se il flussostato è bloccato nella posizione inferiore.
La pompa non funziona alla capacità nominale	Tubo strozzato	Verificare che il tubo tra il serbatoio e la pompa o allo scarico non sia strozzato.
	Prevalenza eccessiva	Controllare i dati di targa della pompa.
La pompa deve essere adescata saltuariamente	L'estremità di scarico potrebbe essere a livello inferiore a quello del serbatoio	Accertarsi che l'estremità del tubo flessibile di scarico non sia a oltre un metro sotto il serbatoio.
La pompa funziona ma non scarica il liquido	Filtro a rete di aspirazione intasato	Pulire il filtro a rete. Rimuovere tutti i detriti dal serbatoio.
La pompa si avvia e si arresta ciclicamente o non si arresta	Serbatoio guasto	Sbloccare il flussostato inceppatosi nella posizione "ON" Verificare che il serbatoio sia orizzontale
La pompa surriscalda	La pompa funziona a secco	Sbloccare il flussostato inceppatosi nella posizione "ON"
<b>PROBLEEM</b>	<b>MOGELIJKE OORZAKEN</b>	<b>CORRECTIE</b>
Pomp slaat niet aan	Er staat geen spanning op de pomp	Controleer de toevoerspanning op de regeleenheid Controleer of de zekering op de toevoerleiding niet is doorgeslagen
	Defect reservoir	De vlotter kan in neerwaartse stand vastzitten
De pomp levert het gespecificeerde vermogen niet	Geknikte slang opvoerhoogte is te groot voor de pomp	Controleer of de slang niet geknikt is tussen het reservoir en de pomp of bij de afvoer Controleer het pompvermogen
Pomp moet af en toe gevuld worden	De uiteinden van de afvoer liggen mogelijk lager dan het reservoir	Controleer of het uiteinde van de afvoerslang niet lager dan 1 meter onder het reservoir ligt.
Pompe Pomp werkt, maar voert geen vloeistof af	Aanzuigscherm is verstoppt	Reinig het filterscherm. Verwijder alle vuil uit het reservoir
Pomp slaat voortdurend aan en af of wil niet afslaan	Defect reservoir	Zet de vlotter vrij die in de stand „AAN" vastzit Controleer of het reservoir waterpas staat
Pomp uitgebrand	Pomp loopt droog	Zet de vlotter vrij die in de stand „AAN" vastzit

## LIMITED WARRANTY

Your Little Giant product is guaranteed to be in perfect condition when it leaves our Factory. It is warranted against defective materials and workmanship for a period of 12 months (90 day warranty on Models 1-AA-OM, GKPK, PP-1, PPS-1, PP-12, PPS-12, and PP-230) from date of purchase by the user. No warranty on brush wear in Model 35-OM and impeller or cam in Models PP-1, PP-12, and PP-230. Any product that should fail for either of the above two reasons and is still within the warranty period will be repaired or replaced at the option of Franklin Electric as the sole remedy of buyer. For our customers in the CONTINENTAL UNITED STATES: Please return the defective unit, postage paid, to the factory at 301 N. MacArthur, Oklahoma City, OK 73127-6616. All defective product returned under warranty will be fully inspected to determine the cause of failure before warranty is approved. For our customers located elsewhere; it is not economical, due to duties and freight, to return the pump to the factory for inspection. Please return the defective unit to any authorized distributor or dealer with a brief written explanation of the problem. If there are no apparent signs of customer abuse, unit will be repaired or replaced. If dispute arises over replacement of the pump, the distributor or dealer is to segregate such items and hold for inspection by a representative of Franklin Electric or notify factory with details of the problem for factory disposition and settlement of warranty claim.

**DISCLAIMER: THE FOREGOING WARRANTY IS AN EXCLUSIVE WARRANTY IN LIEU OF ANY OTHER EXPRESS WARRANTIES. ANY IMPLIED WARRANTIES (INCLUDING, BUT NOT LIMITED TO ANY IMPLIED WARRANTY OF MERCHANTABILITY OR FITNESS FOR A PARTICULAR PURPOSE) TO THE EXTENT EITHER APPLIES TO A PUMP SHALL BE LIMITED IN DURATION TO THE PERIODS OF THE EXPRESS WARRANTIES GIVEN ABOVE.**

Warranty will be VOID if any of the following conditions are found:

1. Sealed motor housing opened.
2. Product connected to voltage other than indicated on name plate.
3. Cord cut off to a length less than three feet.
4. Pump allowed to operate dry (fluid supply cut off).
5. Pump used to circulate anything other than fresh water, light oils, or other mild liquids at approximately room temperature.
6. Product abuse by customer.

Any oral statements about the product made by the seller, the manufacturer, the representatives or any other parties, do not constitute warranties, shall not be relied upon by the user and are not part of the contract for sale. Seller's and manufacturer's only obligation, and buyer's only remedy, shall be the replacement and/or repair by the manufacturer of the product as described above.

**NEITHER SELLER NOR THE MANUFACTURER SHALL BE LIABLE FOR ANY INJURY, LOSS OR DAMAGE, DIRECT, INCIDENTAL OR CONSEQUENTIAL (INCLUDING, BUT NOT LIMITED TO INCIDENTAL OR CONSEQUENTIAL DAMAGES FOR LOST PROFITS, LOST SALES, INJURY TO PERSON OR PROPERTY, OR ANY OTHER INCIDENTAL OR CONSEQUENTIAL LOSS), ARISING OUT OF THE USE OR THE INABILITY TO USE THE PRODUCT AND THE USER AGREES THAT NO OTHER REMEDY SHALL BE AVAILABLE TO IT.**

Before using, the user shall determine the suitability of the product for the intended use, and user assumes all risk and liability whatsoever in connection therewith. Some states and countries do not allow limitations on how long an implied warranty lasts or the exclusion or limitation of incidental or consequential damages, so the above limitations or exclusions may not apply to you. This warranty gives you specific legal rights, and you may also have other rights which vary from state to state and country to country. The National Electric Code (in the USA) and similar codes in other countries require a Ground Fault Circuit Interrupter (GFCI) to be installed in the branch circuit supplying fountain equipment rated above 15 volts. 115 volt GFCI's (with various cord lengths) are in stock, and we recommend each pump be used with a GFCI.

## GARANTÍA LIMITADA

Se garantiza que su producto Little Giant está en perfecto estado al salir de fábrica. Se garantiza contra defectos en los materiales y en la mano de obra durante un período de 12 meses (90 días de garantía para los modelos 1-AA-OM, GKPK, PP-1, PPS-1, PP-12, PPS-12 y PP-230) a partir de la fecha de compra por el usuario. No existe garantía para el desgaste del cepillo del modelo 35-OM ni para el impulsor o leva de los modelos PP-1, PP-12 y PP-230.

Cualquier producto que falle por cualquiera de las dos razones anteriores y que todavía esté en el período de garantía se reparará o reemplazará, según el criterio de Franklin Electric, como único recurso para el comprador. Para los clientes en los ESTADOS UNIDOS CONTINENTALES: Sírvase devolver la unidad defectuosa, con el flete pagado, a la fábrica ubicada en 301 N. MacArthur, Oklahoma City, OK 73127-6616. Todos los productos defectuosos devueltos bajo los términos de la garantía se inspeccionarán por completo para determinar la causa de la falla antes de aprobar la cobertura por garantía. Para nuestros clientes ubicados en otros sitios, esto no es rentable debido a los costos de aduana y flete para devolver la bomba a la fábrica para su inspección. Se deberá devolver la unidad defectuosa a un distribuidor o agente autorizado con una breve explicación por escrito del problema. Si no hay señales aparentes de abusos por parte del cliente, se reparará o reemplazará la unidad. En caso de desacuerdo sobre el reemplazo de la bomba, el distribuidor o agente deberá separar dichos elementos y retenerlos para la inspección por un representante de Franklin Electric o comunicar los detalles del problema a la fábrica para que ésta disponga y solucione el reclamo de la garantía.

**RENUNCIA: LA PRESENTE ES UNA GARANTÍA EXCLUSIVA DADA EN LUGAR DE CUALQUIER OTRA GARANTÍA EXPLÍCITA. CUALQUIER GARANTÍA IMPLÍCITA (LO QUE INCLUYE SIN LIMITACIÓN TODA GARANTÍA IMPLÍCITA DE COMERCIALIZACIÓN O IDONEIDAD PARA UN PROPÓSITO ESPECÍFICO) SOBRE LA BOMBA SE LIMITARÁ A LA DURACIÓN DE LOS PERÍODOS DE LAS GARANTÍAS EXPLÍCITAS DADAS ANTERIORMENTE.**

Esta garantía quedará ANULADA si se hallan cualesquiera de las siguientes condiciones:

1. Se abrió el alojamiento sellado del motor.
2. El producto se conecta a un voltaje distinto al que se indica en la placa de identificación.
3. El cable se cortó a un largo menor que 91 cm (tres pies).
4. La bomba funcionó sin líquido (se cortó el suministro de líquido).
5. La bomba se utilizó con fluidos distintos al agua dulce, aceites livianos y otros líquidos livianos a temperatura ambiente aproximadamente.
6. Uso indebido del producto por parte del cliente.

Todo compromiso verbal con respecto a cualquier producto, por parte del vendedor, el fabricante, los representantes o cualquier otra parte, no constituye garantía alguna, no debe ser considerado como tal por el usuario y no forma parte del contrato de venta. La única obligación del vendedor y el fabricante, y el único recurso del comprador, será el reemplazo y/o reparación del producto que hará el fabricante del producto, tal como se describe aquí.

**NI EL VENDEDOR NI EL FABRICANTE SERÁN RESPONSABLES POR CUALQUIER LESIÓN, PÉRDIDA O DAÑO, DIRECTO, INCIDENTAL O EMERGENTE (LO QUE INCLUYE, SIN LIMITACIÓN, DAÑOS INCIDENTALES O EMERGENTES POR PÉRDIDA DE INGRESOS, DE VENTAS, LESIONES A PERSONAS O PROPIEDADES O CUALQUIER OTRO DAÑO INCIDENTAL O EMERGENTE) QUE RESULTARA DEL USO O INCAPACIDAD DE USO DEL PRODUCTO Y EL USUARIO ACUERDA QUE NO HAY NINGÚN OTRO RECURSO.**

Antes de usarlo, el usuario deberá determinar la idoneidad del producto para el uso propuesto y asumirá todos los riesgos y toda la responsabilidad que ello implique. Algunos estados y países no permiten las limitaciones sobre la duración de las garantías implícitas ni la exclusión o limitación de responsabilidades por daños incidentales o emergentes, por lo que puede que las limitaciones o exclusiones anteriores no se apliquen a usted. Esta garantía le otorga a usted derechos legales específicos y es posible que usted también tenga otros derechos que varían según el estado o país.

El código eléctrico estadounidense (NEC) y códigos similares en otros países requieren la instalación de un interruptor del circuito de fallos por conexión a tierra (GFCI) en el circuito derivado que suministra al equipo para fuentes con capacidad sobre 15 voltios. Los interruptores del circuito de fallos por conexión a tierra de 115 voltios (con varios largos de cable) están disponibles y recomendamos que cada bomba se utilice con uno de estos dispositivos.

## BESCHRÄNKTE GARANTIE

Wir garantieren, dass Ihr Little Giant-Produkt unser Werk in perfektem Zustand verlässt. Wir garantieren für einen Zeitraum von 12 Monaten (von 90 Tagen für unsere Modelle 1-AA-OM, GKPK, PP-1, PPS-1, PP-12, PPS-12 und PP-230) ab Datum des Kaufs durch den Benutzer, dass das Produkt frei von Material- und Verarbeitungsfehlern ist. Für abgenutzte Schleifbürsten im Modell 35-OM sowie Flügelräder oder Nocken in den Modellen PP-1, PP-12 und PP-230 wird keine Garantie erteilt. Produkte, die aus den beiden oben genannten Gründen ausfallen und für welche die Garantie noch gilt, werden nach Ermessen von Franklin Electric und als einziger Rechtsbehelf für den Käufer repariert oder ausgetauscht. Für unsere Kunden in den US-KONTINENTALBUNDESSTAATEN gilt Folgendes: Bitte schicken Sie das defekte Gerät an das Werk mit der folgenden Adresse: 301 N. MacArthur, Oklahoma City, OK 73127-6616. Alle mangelhaften Produkte, die im Garantiezeitraum an uns zurückgeschickt werden, werden im vollen Umfang inspiziert, um den Grund für das Versagen zu bestimmen, bevor die Wirksamkeit der Garantie anerkannt wird. Für unsere Kunden außerhalb dieser Bundesstaaten ist es aufgrund von Zollabgaben und Frachtkosten unwirtschaftlich, die Pumpe zur Inspektion an das Werk zurückzuschicken. Geben Sie bitte das defekte Gerät mit einer kurzen schriftlichen Problembeschreibung bei einem Vertragshändler ab. Wenn keine offensichtlichen Anzeichen für einen Missbrauch durch den Kunden vorliegen, wird das Gerät repariert oder ersetzt. Bei Meinungsverschiedenheiten zwischen Kunde und Vertragshändler bzgl. des Ersatzes der Pumpe muss der Vertragshändler diese Pumpen aussondern und zur Inspektion an einen Vertreter der Franklin Electric weitergeben bzw. dem Werk das Problem beschreiben, so dass der Garantieanspruch entsprechend bearbeitet und beigelegt werden kann.

**HAFTUNGSAUSSCHLUSS:** BEI DER VORGENANNTEN GARANTIE HANDELT ES SICH UM EINE AUSSCHLIESSLICHE GARANTIE, DIE ANSTELLE ALLER ANDEREN AUSDRÜCKLICHEN GARANTIEN GEWÄHRT WIRD. ALLE STILLSCHWEIGENDEN ZUSAGEN (EINSCHLIESSLICH, OHNE DARAUF BESCHRÄNKT ZU SEIN, ALLER STILLSCHWEIGENDEN ZUSAGEN BZGL. HANDELSÜBLICHER QUALITÄT ODER EIGNUNG FÜR EINEN BESTIMMTEN ZWECK) FÜR JEDE PUMPE SIND BESCHRÄNKT AUF DEN ZEITRAUM DER OBEN GEWÄHRTEN AUSDRÜCKLICHEN GARANTIE FÜR DIESE PUMPE.

Die Garantie wird UNGÜLTIG, wenn die folgenden Bedingungen vorliegen:

1. Öffnen des versiegelten Motorgehäuses.
2. Anschließen der Pumpe an eine andere Spannung als auf dem Typenschild angegeben.
3. Abschneiden des Kabels auf eine Länge von unter 1 m (3 Füße).
4. Betreiben der Pumpe ohne Flüssigkeit.
5. Betreiben der Pumpe mit anderen Flüssigkeiten als Süßwasser, Leichtöl oder anderen milden Flüssigkeiten bei ungefährender Raumtemperatur.
6. Missbrauch der Pumpe durch den Kunden.

Alle mündlichen Erklärungen bzgl. des Produkts durch den Verkäufer, Hersteller, Vertreter oder durch andere Parteien stellen keine Garantien dar. Der Benutzer sollte sich nicht auf diese Erklärungen verlassen, da sie kein Bestandteil des Kaufvertrags sind. Die einzige Verpflichtung des Verkäufers und des Herstellers besteht darin, das Produkt wie oben beschrieben zu ersetzen und/oder durch den Hersteller zu reparieren. Dies sind die einzigen Rechtsbehelfe des Käufers.

WEDER DER VERKÄUFER NOCH DER HERSTELLER HAFTEN FÜR DIREKTE, ZUFÄLLIGE ODER FOLGEVERLETZUNGEN, -VERLUSTE ODER -SCHÄDEN (EINSCHLIESSLICH, OHNE DARAUF BESCHRÄNKT ZU SEIN, NEBEN- ODER FOLGESCHÄDEN AUFGRUND ENTGANGENER GEWINNE, UMSÄTZE, PERSONEN- ODER SACHSCHÄDEN ODER SONSTIGER NEBEN- ODER FOLGEVERLUSTE), DIE SICH AUS DER BENUTZUNG ODER DEM NUTZUNGSANFANG DES PRODUKTS ERGEBEN. DER BENUTZER IST DAMIT EINVERSTANDEN, DASS IHM KEINE ANDEREN RECHTSBEHELFE ZUR VERFÜGUNG STEHEN.

Der Benutzer muss vor dem Einsatz des Produkts sicherstellen, dass es sich für den beabsichtigten Zweck eignet. Der Benutzer haftet für alle Risiken, die sich aus der Benutzung des Produkts ergeben. In einigen US-Bundesstaaten und Ländern sind Beschränkungen der Dauer der Gültigkeit von stillschweigenden Zusagen oder der Ausschluss oder die Beschränkung von Neben- oder Folgeschäden unzulässig. Daher treffen unter Umständen die oben genannten Beschränkungen oder Ausschlüsse nicht für Sie zu. Diese Garantie gewährt Ihnen bestimmte Rechte. Unter Umständen stehen Ihnen je nach US-Bundesstaat oder Land weitere Rechte zu.

Der (National Electric Code in den USA) und ähnliche Vorschriften in anderen Ländern verlangen die Installation eines Fehlerstromschalters (Ground Fault Circuit Interrupter, GFCI) in den Zweigstromkreis für die Brunnenanlage mit einer Nennleistung von über 15 V. Wir führen 115 V Fehlerstromschalter mit unterschiedlichen Kabellängen und empfehlen, dass jede Pumpe mit einem Fehlerstromschalter betrieben wird.

## GARANTIE LIMITÉE

Nous garantissons que votre produit Little Giant est en condition parfaite lorsqu'il quitte nos ateliers. Il est garanti contre tout défaut matériel ou de fabrication pour une période de 12 mois (garantie de 90 jours pour les modèles 1-AA-OM, GKPK, PP-1, PPS-1, PP-12, PPS-12, et PP-230) à compter de la date d'achat par l'utilisateur. L'usure des brosses du modèle 35-OM et de l'impulseur ou de la came des modèles PP-1, PP-12 et PP-230 n'est pas couverte par la garantie. Tout produit tombant en panne pour une des deux raisons décrites ci-dessus pendant la période de garantie sera réparé ou remplacé, à la discrétion de Franklin Electric, ce qui constitue le seul recours de l'acheteur. Pour les clients du TERRITOIRE CONTINENTAL DES ÉTATS-UNIS : Retournez l'appareil défectueux en port payé à l'usine, sise 301 N. MacArthur, Oklahoma City, OK 73127-6616. Tous les produits défectueux retournés sous garantie seront soumis à une inspection complète afin de déterminer la cause de la panne avant que la garantie soit approuvée. Pour les clients situés ailleurs : il n'est pas rentable, compte tenu des frais de douane et d'expédition, de retourner la pompe à l'usine pour inspection. Veuillez retourner l'appareil défectueux à un distributeur ou revendeur autorisé avec une brève description du problème. Si l'appareil ne présente aucun signe de mésusage, il sera réparé ou remplacé. Si un désaccord survient concernant le remplacement de la pompe, le distributeur ou revendeur mettra les articles en question à l'écart et les conservera pour inspection par un représentant de Franklin Electric ou notifiera l'usine en fournissant les détails du problème pour que l'usine résolve la demande de garantie.

**DÉNI DE RESPONSABILITÉ :** LA GARANTIE SUIVANTE CONSTITUE UNE GARANTIE EXCLUSIVE REMPLAÇANT TOUTE AUTRE GARANTIE EXPRESSE. TOUTE GARANTIE INDUITE (Y COMPRIS, SANS S'Y LIMITER, TOUTE GARANTIE INDUITE DE VALEUR COMMERCIALE OU D'ADAPTATION À UN USAGE PARTICULIER), DANS LA MESURE OÙ ELLE S'APPLIQUE À UNE POMPE, SERA LIMITÉE EN DURÉE AUX PÉRIODES DE LA GARANTIE EXPRESSE STIPULÉES CI-DESSUS.

La garantie sera ANNULÉE si une des conditions suivantes se produit :

1. Corps de moteur scellé ouvert.
2. Produit connecté à une tension différente de celle indiquée sur la plaque d'identification.
3. Cordon d'alimentation coupé à une longueur inférieure à trois pieds (92 cm).
4. Pompe utilisée à sec (sans alimentation de liquide).
5. Pompe utilisée pour aspirer des produits autres que de l'eau douce, des huiles légères ou d'autres liquides doux à température ambiante.
6. Mésusage du produit par le client.

Toute déclaration orale concernant le produit, faite par le vendeur, fabricant, représentant ou toute autre partie, ne constitue pas une garantie, ne constitue pas une base sur laquelle l'utilisateur peut s'appuyer et ne fait pas partie du contrat de vente. La seule obligation du vendeur et du fabricant, et le seul recours de l'acheteur, sera le remplacement et/ou la réparation par le fabricant du produit comme décrit ci-dessus.

LE VENDEUR ET LE FABRICANT NE POURRONT ÊTRE TENUS RESPONSABLES DE BLESSURES, DE PERTES OU DE DOMMAGES, DIRECTS, INDIRECTS OU CONSÉCUTIFS (Y COMPRIS, SANS S'Y LIMITER, LES DOMMAGES INDIRECTS OU CONSÉCUTIFS LIÉS AUX PERTES DE PROFITS, PERTES DE VENTES, BLESSURES OU DOMMAGES MATÉRIELS, OU TOUTE AUTRE PERTE INDIRECTE OU CONSÉCUTIVE), ISSUS DE L'UTILISATION OU DE L'INCAPACITÉ À UTILISER LE PRODUIT ET L'UTILISATEUR CONVIENT QU'AUCUN AUTRE RECOURS NE LUI EST OFFERT.

Avant l'utilisation du produit, l'utilisateur déterminera l'adaptation du produit à l'usage prévu et assumera tous les risques et responsabilités afférents. Certains États et pays n'autorisent pas les limitations concernant la durée des garanties induites ou l'exclusion ou la limitation des dommages indirects ou consécutifs et il est possible que les limitations ou exclusions ci-dessus ne vous soient pas applicables. Cette garantie vous donne des droits spécifiques et il est possible que vous possédiez d'autres droits, qui varient d'un État à un autre et d'un pays à un autre.

Le « National Electric Code » (aux États-Unis) et d'autres codes similaires dans d'autres pays exigent qu'un disjoncteur de fuite de terre soit installé sur le circuit de dérivation fournissant de l'électricité d'une tension nominale de 15 V ou plus aux équipements mouillés. Des disjoncteurs de fuite de terre de 115 V (avec différentes longueurs de cordon) sont en stock et nous vous recommandons d'utiliser chaque pompe avec un disjoncteur de fuite de terre.

## GARANZIA LIMITATA

garantisce che questo prodotto Little Giant era in perfette condizioni all'uscita dalla fabbrica e che sarà esente da difetti di materiale e fabbricazione per un periodo di 12 mesi (90 giorni per i modelli 1-AA-OM, GKPK, PP-1, PPS-1, PP-12, PPS-12 e PP-230) dalla data di acquisto da parte dell'utente. La garanzia non copre l'usura della spazzola nel modello 35-OM né la girante o la camma nei modelli PP-1, PP-12 e PP-230. Un prodotto che si guasti a causa dell'uno o dell'altro motivo di cui sopra e sia ancora nel periodo di garanzia, sarà riparato o sostituito a discrezione di Franklin Electric e come solo ricorso a disposizione dell'acquirente. Clienti negli STATI UNITI CONTINENTALI: restituire l'unità difettosa spedendola franco destinatario alla fabbrica, all'indirizzo 301 N. MacArthur, Oklahoma City, OK 73127-6616. Qualunque prodotto difettoso restituito durante il periodo di garanzia sarà interamente ispezionato per determinare la causa del guasto prima dell'approvazione della garanzia. Clienti in altre parti del mondo: a causa delle spese di trasporto e dei dazi doganali, non è economicamente conveniente restituire la pompa alla fabbrica perché sia ispezionata. Restituire l'unità difettosa a un rivenditore o distributore autorizzato allegando una breve descrizione del problema. Se non ci sono segni apparenti di abuso da parte del cliente, l'unità sarà riparata o sostituita. Se insorge una controversia riguardo alla sostituzione della pompa, il rivenditore o il distributore la metteranno da parte in attesa dell'ispezione da parte di un rappresentante di Franklin Electric o notificheranno la fabbrica comunicando i dettagli del problema affinché la fabbrica possa prendere i provvedimenti opportuni ed evadere la richiesta di intervento in garanzia.

**CLAUSOLA ESONERATIVA: LA PRECEDENTE GARANZIA È ESCLUSIVA E VIENE OFFERTA IN LUOGO DI QUALSIASI ALTRA GARANZIA ESPRESSA. EVENTUALI GARANZIE IMPLICITE (INCLUSA, MA NON A TITOLO ESCLUSIVO, QUALUNQUE GARANZIA IMPLICITA DI COMMERCIALITÀ O IDONEITÀ PER UNO SCOPO PARTICOLARE), NEI LIMITI IN CUI SI APPLICANO A UNA POMPA, SARANNO LIMITATE IN DURATA AI PERIODI DELLE GARANZIE ESPRESSE SOPRA RIPORTATE.**

La garanzia è NULLA se sussiste una delle seguenti condizioni:

1. Si apre la carcassa, sigillata, del motorino.
2. Il prodotto viene collegato a una tensione diversa da quella specificata sulla targa dati.
3. Il cavo viene tagliato a una lunghezza minore di 91 cm (3 piedi).
4. Si lascia funzionare la pompa a secco (si interrompe la mandata del fluido).
5. Si utilizza la pompa per fare circolare un liquido diverso da acqua fresca, olio a bassa viscosità o altro liquido poco viscoso a temperatura all'incirca uguale a quella ambiente.
6. Il prodotto è sottoposto ad abuso da parte del cliente.

Eventuali affermazioni verbali riguardanti il prodotto fatte dal rivenditore, dal produttore, dai rappresentanti o da terzi non costituiscono garanzia, non devono essere tenute presenti dall'utente e non fanno parte del contratto di vendita. L'unico obbligo del rivenditore e del produttore, e l'unico ricorso a disposizione dell'utente, sono la sostituzione o la riparazione del prodotto da parte del produttore come descritto sopra.

**NÉ IL RIVENDITORE NÉ IL PRODUTTORE SARANNO RESPONSABILI DI LESIONI PERSONALI, PERDITA O DANNI, DIRETTI O INDIRETTI (INCLUSI, MA NON A TITOLO ESCLUSIVO, DANNI INDIRETTI DOVUTI A PERDITA DI PROFITTI O DI VENDITE, LESIONI PERSONALI O DANNI ALLE COSE, O EVENTUALI ALTRI DANNI INDIRETTI) RISULTANTI DALL'USO O DALL'IMPOSSIBILITÀ DI USO DEL PRODOTTO, E L'UTENTE ACCETTA DI NON AVERE A DISPOSIZIONE NESSUN ALTRO RICORSO.**

Prima di usare il prodotto, l'utente deve determinarne l'adeguatezza all'uso previsto e si assume tutti i rischi e le responsabilità relativi. Alcune nazioni non consentono limitazioni sulla durata di una garanzia implicita oppure sull'esclusione o sulla limitazione di danni indiretti, per cui le precedenti limitazioni o esclusioni potrebbero non essere pertinenti. Questa garanzia dà all'utente specifici diritti legali e l'utente potrebbe anche avere altri diritti secondo la nazione in cui risiede.

Le norme elettriche NEC (negli Stati Uniti) e norme analoghe in altre nazioni richiedono l'installazione di un interruttore differenziale nel circuito di derivazione impiegato per l'alimentazione di apparecchi a efflusso di acqua con tensione nominale superiore a 15 volt. Sono disponibili da magazzino interruttori differenziali da 115 volt (con cavo di diverse lunghezze), e si suggerisce di adoperare ogni pompa con un interruttore differenziale.

## BEPERKTE GARANTIE

Wij garanderen dat uw Little Giant-product bij het verlaten van de fabriek in uitstekende conditie verkeert. Het product wordt gegarandeerd tegen materiaal- en productiefouten gedurende 12 maanden (90 dagen garantie op modellen 1-AA-OM, GKPK, PP-1, PPS-1, PP-12, PPS-12 en PP-230) vanaf de aankoopdatum door de gebruiker. Er is geen garantie op borstelslijtage voor model 35-OM en op het rotorblad of de nok voor modellen PP-1, PP-12 en PP-230. Elk product dat om één van de twee bovenstaande redenen defect raakt en nog binnen de garantieperiode valt, zal naar goeddunken van Franklin Electric gerepareerd of vervangen worden, wat het enige rechtsmiddel voor de koper is. Voor onze klanten op het CONTINENT VAN DE VERENIGDE STATEN: Retourneer het defecte product gefrankeerd naar de fabriek, 301 N. MacArthur, Oklahoma City, OK 73127-6616. Alle onder de garantie geretourneerde defecte producten zullen volledig geïnspecteerd worden om de oorzaak van het defect te bepalen voordat reparatie onder garantie wordt goedgekeurd. Voor alle andere klanten: wegens douane- en vrachtkosten is het niet economisch verantwoord om de pomp naar de fabriek te retourneren voor inspectie. Retourneer het defecte apparaat naar een erkende distributeur met een korte schriftelijke uitleg van het probleem. Als er geen duidelijke tekenen van misbruik door de klant worden waargenomen, zal het apparaat gerepareerd of vervangen worden. Als er een geschil over de vervanging van de pomp ontstaat, dient de distributeur deze items apart te bewaren totdat ze door een vertegenwoordiger van Franklin Electric kunnen worden geïnspecteerd, of moet de fabriek van de details van het probleem op de hoogte worden gesteld, zodat de fabriek een regeling ter voldoening van de garantieclaim kan treffen.

**AANSPRAKELIJKHEIDSBEPERKING: DE BOVENSTAANDE GARANTIE IS EEN EXCLUSIEVE GARANTIE, DIE IN PLAATS VAN ALLE ANDERE UITDRUKKELIJKE GARANTIES KOMT. DE DUUR VAN ALLE IMPLICIETE GARANTIES (MET INBEGRIJ VAN, MAAR NIET BEPERKT TOT ALLE IMPLICIETE GARANTIES VAN VERKOOPBAARHEID OF GESCHIKTHEID VOOR EEN BEPAALD DOEL), VOOR ZOVER DIT OP EEN POMP VAN TOEPASSING IS, ZAL BEPERKT ZIJN TOT DE HIERBOVEN VERMELDE UITDRUKKELIJKE GARANTIEPERIODES.**

De garantie VERVALT indien een van de volgende condities wordt waargenomen:

1. De afgesloten motorombouw werd geopend.
2. Het product werd aangesloten op een andere spanning dan wat op de naamplaat aangegeven staat.
3. Het snoer werd tot een lengte van minder dan één meter (3 ft.) ingekort.
4. De pomp heeft droog gedraaid (vloeistofvoeder afgesloten).
5. De pomp werd gebruikt om met anders dan vers water, lichte oliën of andere milde vloeistoffen op ongeveer kamertemperatuur te circuleren.
6. Het product werd misbruikt door de klant.

Mondelinge verklaringen met betrekking tot het product door de verkoper, de fabrikant, de vertegenwoordigers of andere partijen vormen geen garanties, mogen niet op vertrouwd worden door de gebruiker en maken geen deel uit van het verkoopcontract. De enige verplichting van de verkoper en de fabrikant en het enige rechtsmiddel van de koper is de vervanging en/of reparatie van het product door de fabrikant, zoals hierboven beschreven.

**NOCH DE VERKOPER NOCH DE FABRIKANT IS AANSPRAKELIJK VOOR ENIG DIRECTE, INCIDENTELE OF RESULTERENDE VERWONDINGEN, VERLIES OF SCHADE, (MET INBEGRIJ VAN, MAAR NIET BEPERKT TOT INCIDENTELE OF GEVOLGSCHADE WEGENS WINSTDERING, VERLIES VAN VERKOPEN, LICHAAMELIJK LETSEL OF EIGENDOMSSCHADE OF ALLE ANDERE INCIDENTELE OF GEVOLGSCHADE) DIE HET GEVOLG IS VAN HET GEBRUIK OF HET ONVERMOGEN TOT GEBRUIK VAN HET PRODUCT, EN DE GEBRUIKER STEMT ERMEE IN DAT HEM/HAAR GEEN ANDER RECHTSMIDDEL TER BESCHIKKING STAAT.**

Alvorens het product te gebruiken dient de gebruiker te bepalen of het geschikt is voor het beoogde gebruik, en de gebruiker aanvaardt alle daarmee in verband staande risico's en aansprakelijkheid. In bepaalde staten en landen is de beperking van de duur van een impliciete garantie of de uitsluiting of beperking van incidentele of gevolgschade niet toegestaan; het is derhalve mogelijk dat de bovenstaande beperkingen of uitsluitingen niet op u van toepassing zijn. Deze garantie geeft u specifieke wettelijke rechten en het is mogelijk dat u andere rechten hebt die van staat tot staat en van land tot land verschillen.

De 'National Electric Code' (in de Verenigde Staten) en soortgelijke reglementeringen in andere landen schrijven voor dat in de stroomkring die de stroom aan fonteinapparatuur met een nominale spanning boven 15 volt levert, een aardlekschakelaar (Ground Fault Circuit Interrupter, GFCI) moet worden geïnstalleerd. 115 volt GFCI's (met diverse snoerlengten) zijn voorradig, en wij raden u aan op elke pomp een GFCI te gebruiken.

www.LittleGiant.com  
CustomerService@lgpc.com

---

For technical assistance, parts or repair, please contact: ..... +1 405-947-2511  
Para obtener servicio técnico, piezas o reparaciones, sírvase llamar o contactar: ..... +1 405 947 2511  
Für technische Unterstützung, Ersatzteile oder Reparatur wählen Sie bitte die Nummer: ..... +1 405 947 2511  
Pour obtenir de l'assistance technique, des pieces ou des reparations, contactez: ..... 1 405 947 2511  
Per assistenza tecnica, ricambi o riparazioni, contattate: ..... +1 405 947 2511  
Voor technische assistentie, onderdelen of reparatie kunt u contact opnemen met: ..... +1 405 947 2511

---