

ENGINEERING DATA

THERMALLY CONDUCTIVE, PATENTED ALUMINUM CORE

The cross-flow heat recovery core transfers heat between the two airstreams. The two cores are arranged for highly efficient counter current airflow.

MOTORS AND BLOWERS

Each airstream has one centrifugal blower driven by a common PSC motor, with multiple fanspeed operations.

FILTERS

Washable air filters in exhaust and supply airstreams.

MOUNTING THE HRV

Threaded inserts at corners of the cabinet designed to accept the "S" hooks and hanging straps supplied with the unit.

DEFROST

Damper defrost system.

CASE

20 gauge prepainted galvanized steel for superior corrosion resistance, insulated to prevent exterior condensation. Drain connections 2-1/2" (12mm) OD.

ELECTRONICS

Control included with the unit can be wall mounted in a central location of the home. 3 wire 20 gauge (min.) 100 ft length (max.).

CONTROLS

99-DXPL01 Lifestyle MAX Digital Control

- 5 speed operation on each mode
- 4 user selectable operational modes: Continuous Ventilation, 20 ON/40 OFF, 20 ON/40 Recirculation, Continuous Recirculation
- Humidity control through dehumidistat
- Adjustable dehumidistat function built into main wall control
- Built in relay for interfacing to furnace

OPTIONAL CONTROLS

99-LS01 Lifestyle MAX Programmable Control - Contains all the features of the Lifestyle MAX Digital Control with 24/7 programmable ventilation, 3 wire connection.

OPTIONAL TIMERS

99-DET01 Lifestyle 20/40/60 Minute Timer - Initiates high speed ventilation for 20, 40, or 60 minutes, 3 wire connection.

99-20M01 Lifestyle 20 Minute Timer - Initiates high speed ventilation for 20 minutes, 3 wire connection.

99-101 Mechanical Timer - Initiates high speed ventilation for up to 60 minutes, 2 wire connection.

OPTIONAL ACCESSORIES

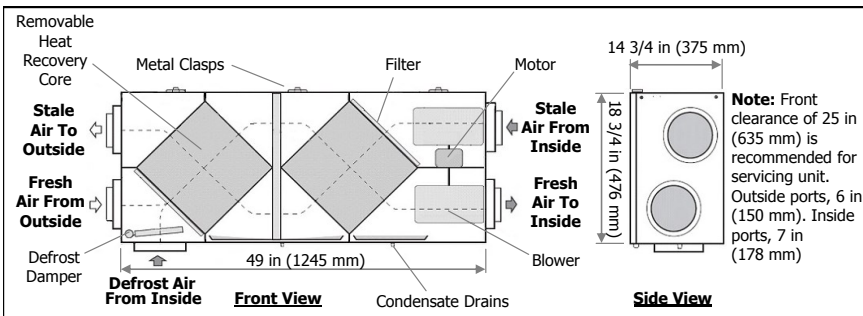
99-DH01 Lifestyle Dehumidistat - Initiates high speed ventilation when the indoor humidity level is above the set point. 3 wire connection

99-163 Duct Heater w/Electronic SCR Thermostat - 1 kW, 6 in (152 mm).

99-186 Weatherhoods - Two 6 in (152 mm)

WEIGHT 88 lbs (40 kg) **SHIPPING WEIGHT** 92 lbs (41.8 kg)

DIMENSIONS 195DCS

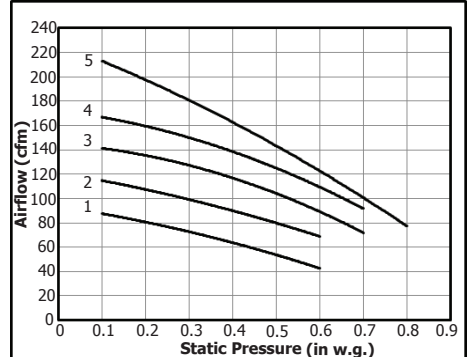


Performance (HVI certified)	
Net supply air flow in cfm (L/s) against external static pressure	
External Static Pressure	Airflow
@ 0.1 in (25 Pa)	216 cfm (101)
@ 0.2 in (50 Pa)	195 cfm (92)
@ 0.3 in (75 Pa)	181 cfm (85)
@ 0.4 in (100 Pa)	158 cfm (74)
@ 0.5 in (125 Pa)	144 cfm (68)
@ 0.6 in (150 Pa)	125 cfm (59)
@ 0.7 in (175 Pa)	107 cfm (50)
@ 0.8 in (200 Pa)	72 cfm (34)
Max. Temperature Recovery	92%
Sensible Effectiveness @ 114 cfm (54 L/s)	32°F (0°C) 86%
Sensible Efficiency @ 114 cfm (54 L/s)	32°F (0°C) 78%
Sensible Efficiency @ 112 cfm (53 L/s)	-13°F (-25°C) 72%
VAC @ 60Hz	120
Watts / Low speed	74
Watts / High speed	123
Amp rating	1.5

Sensible Efficiency: Thermal

Effectiveness: Based on temperature differential between the 2 airstreams

Efficiency: Takes into account all power inputs



WARRANTY

Units carry a lifetime warranty on the HRV core and a 5 year replacement parts warranty.

NOTE: All specifications are subject to change without notice.

All units conform to CSA and UL standards



Date: _____

Tag: _____ Qty: _____

Project: _____

Engineer: _____

Contractor: _____

Supplier: _____

Quote #: _____

Submitted By: _____