

# MCY & MCYA SERIES

Yoke mount industrial mancoolers.  
Designed for superior cooling in large, open areas.



CURRENTLY  
ONLY  
AVAILABLE  
IN CANADA

## PERFORMANCE SPECIFICATIONS

MCY STEEL FAN BLADE						
FAN SIZE	MODEL		RPM	HP	MCY CFM	dBA @ 5 Ft
	SINGLE PHASE	THREE PHASE				
	18"	MCY18T10033C	MCY18T30033C*	1140	1/3	2654
MCY18T10050B		MCY18T30050B*	1750	1/2	4016	74
24"	MCY24T10075C	MCY24T30075C*	1140	3/4	6549	73
	MCY24T10100B	MCY24T30100B*	1750	1	6761	81
	MCY24T10300B	MCY24T30300B*	1750	3	9909	84
30"	--	MCY30T30150C*	1140	1 1/2	11600	79
	MCY30T10500B	MCY30T30500B*	1750	5	17552	90
36"	--	MCY36T30200D*	860	2	16364	80
	--	MCY36T30500C*	1140	5	21692	88

MCYA CAST ALUMINUM BLADE						
FAN SIZE	MODEL		RPM	HP	MCYA CFM	dBA @ 5 Ft
	SINGLE PHASE	THREE PHASE				
	18"	MCYA18T10033C	MCYA18T30033C*	1140	1/3	2990
MCYA18T10075B		MCYA18T30075B*	1750	3/4	4590	71
24"	MCYA24T10100C	MCYA24T30100C*	1140	1	6520	69
	MCYA24T10150B	MCYA24T30150B*	1750	1 1/2	7660	72
	MCYA24T10300B	MCYA24T30300B*	1750	3	11500	79
30"	MCYA30T10100C	MCYA30T30100C*	1140	1	8680	69
	--	MCYA30T30150C*	1140	1 1/2	11800	73
	--	MCYA30T30300B*	1750	3	13300	78
	MCYA30T10500B	MCYA30T30500B*	1750	5	18200	82
36"	--	MCYA36T30200C*	1140	2	14000	76
	--	MCYA36T30300C*	1140	3	19400	77
	MCYA36T10500B	MCYA36T30500B*	1750	5	16200	78
		MCYA36T10750B	1750	7 1/2	21500	85

For three phase motors, substitute "\*" with "M" for 230/460 volt (If 208V required please specify) or "P" for 575 volt  
dBA ratings shown are measured at 0" static pressure and should be used as a guideline only.

## FEATURES

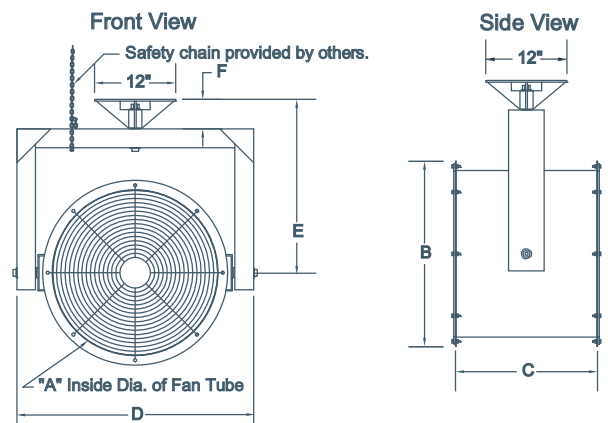
- Drums and motor supports are constructed of heavy gauge steel.
- TEFC continuous duty, ball bearing motors are standard.
- All models are direct drive and available with steel blades or cast aluminum blades.
- Heavy-duty, concentric circle, OSHA wire guards are standard on all sizes.
- Fan section can pivot on both the horizontal and vertical axis.
- Consult factory for availability of explosion-proof motors.



Non-stock, made-to-order products are non-returnable and cannot be cancelled.

## DIMENSIONS

FAN SIZE	A	B	C	D	E	F
18"	18 3/8"	20 7/8"	18"	29"	24"	4 1/2"
24"	24 3/8"	27 3/8"	21"	35"	25 5/8"	4 1/2"
30"	30 3/8"	33 3/8"	21"	41 1/4"	30 1/4"	4 1/2"
36"	36 3/8"	39 3/8"	27"	47 5/16"	33 1/4"	4 1/2"



## OPTIONS

- Junction box installed on the outside of the fan body.