

ALX SERIES SPUN ALUMINUM EXHAUSTER



OPERATION INSTRUCTIONS AND PARTS MANUAL

READ AND SAVE THESE INSTRUCTIONS

The purpose of this manual is to aid in the proper installation and operation of the blowers. These instructions are intended to supplement good general practices and are not intended to cover detailed instruction procedures.

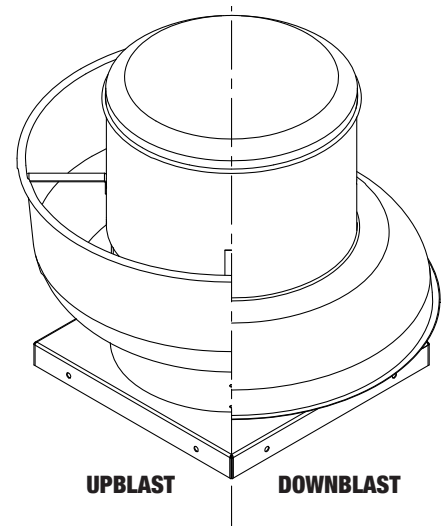
IT IS THE RESPONSIBILITY OF THE PURCHASER TO ASSURE THAT THE INSTALLATION AND MAINTENANCE OF THIS EQUIPMENT IS HANDLED BY QUALIFIED PERSONNEL.

Inspect all shipments carefully for damage. **THE RECEIVER MUST NOTE ANY DAMAGE ON THE CARRIER'S BILL OF LADING AND FILE A CLAIM IMMEDIATELY WITH THE FREIGHT COMPANY.**

DO NOT LIFT THE UNIT BY THE HOOD OR MOTOR. PLEASE LIFT THE UNIT BY HORIZONTAL SUPPORTS.

GENERAL SAFETY

1. All electrical work must be done in accordance with all applicable electrical codes by a qualified electrician.
2. Prior to wiring ensure the power supply is locked in the OFF position and that the motor nameplate voltage matches the supply voltage.
3. Do not install or operate this fan in an environment where combustible materials, gases or fumes are present.
4. **Caution:** the fan contains rotating parts and electrical service. Appropriate safety precautions should be taken during installation, operation and maintenance. When servicing the fan motor may be hot, allow time for cooling down.
5. Before starting the unit, ensure the wheel rotates freely.
6. Check and tighten where necessary all nuts, bolts & set screws prior to fan start up (as some may have loosened during shipment).
7. **Please follow all applicable national, state/provincial and local codes, all of them will supersede this manual.**
8. **Failure to follow the safety instructions in this manual may cause serious injury or death due to electrical shock or high speed rotating parts.**



DIMENSION & COMPONENT

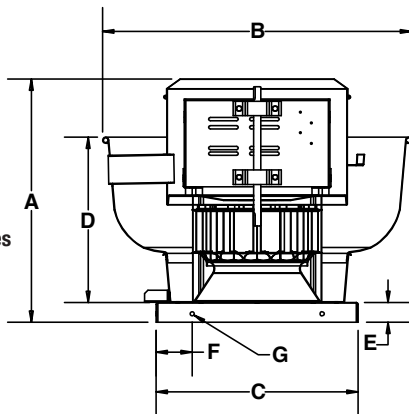


NOTE: DUE TO MOTOR MANUFACTURERS VARIANCES IN DESIGN, PLEASE SEE PAGE 5 FOR MOTOR DIMENSIONAL GUIDELINES.

UPBLAST MODELS

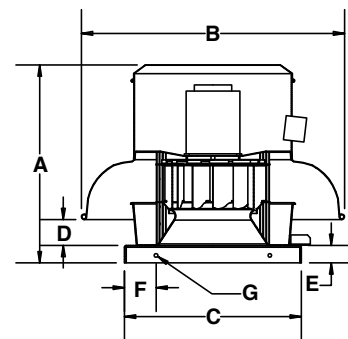
Upblast Belt Drive Shown

Motor plate detail varies on different sizes



DOWNBLAST MODELS

Downblast Direct Drive Shown



Model	Dimensions (inches)								Wheel Diameter	Roof Opening	Net Weight (lbs)
	A	B	C	D	E	F	G Ø				
ALX105-UD	17.63	25.00	19.00	13.00	1.50	3.50	0.38	10.50	15.00	35	
ALX120-UD	18.63	25.00	19.00	13.00	1.50	3.50	0.38	12.25	15.00	37	
ALX135-UD/UB	22.25 / 25.25	32.13	21.00	17.13	1.50	3.75	0.44	13.50	17.00	53 / 62	
ALX150-UD/UB	23.13 / 26.13	32.13	21.00	17.13	1.50	3.75	0.44	15.00	17.00	58 / 67	
ALX165-UD/UB	27.13 / 31.13	37.50	24.75	21.13	2.00	4.00	0.44	16.50	20.75	100 / 108	
ALX180-UD/UB	27.75 / 31.75	37.50	28.00	21.13	2.00	4.00	0.44	18.25	20.75	108 / 116	
ALX210-UB	36.25	43.75	33.13	25.50	2.50	4.00	0.44	21.25	29.00	178	
ALX245-UB	37.00	43.75	33.13	25.50	2.50	4.00	0.44	24.50	29.00	183	

Model	Dimensions (inches)								Wheel Diameter	Roof Opening	Net Weight (lbs)
	A	B	C	D	E	F	G Ø				
ALX105-DD	18.00	25.00	19.00	2.50	1.50	3.50	0.38	10.50	15.00	33	
ALX120-DD	19.00	25.00	19.00	3.50	1.50	3.50	0.38	12.25	15.00	35	
ALX135-DD/DB	22.25 / 25.25	31.25	21.00	3.13	2.00	3.75	0.44	13.50	17.00	51 / 59	
ALX150-DD/DB	23.13 / 26.13	31.25	21.00	3.75	2.00	3.75	0.44	15.00	17.00	56 / 65	
ALX165-DD/DB	27.13 / 31.13	36.25	24.75	5.00	2.00	4.00	0.44	16.50	20.75	100 / 106	
ALX180-DD/DB	27.75 / 31.75	36.25	28.00	5.50	2.00	4.00	0.44	18.25	20.75	104 / 110	
ALX210-DB	36.25	43.75	33.13	5.25	2.50	4.00	0.44	21.25	29.00	176	
ALX245-DB	37.00	43.75	33.13	5.88	2.50	4.00	0.44	24.50	29.00	181	

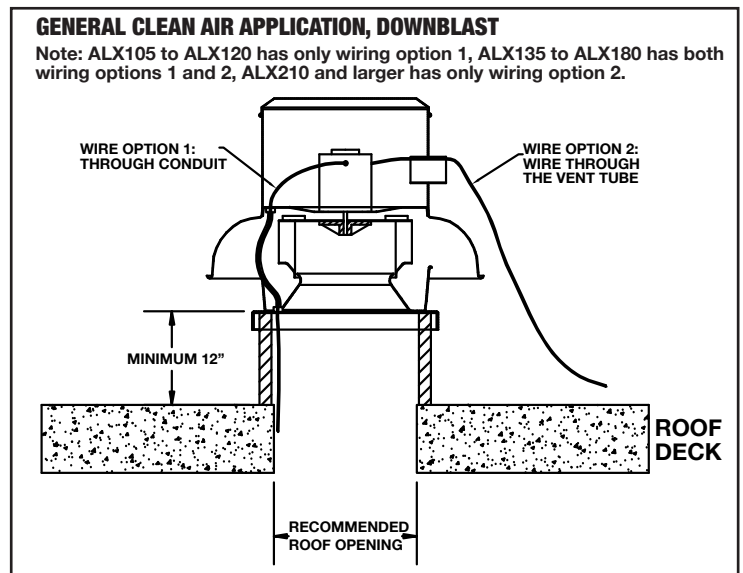
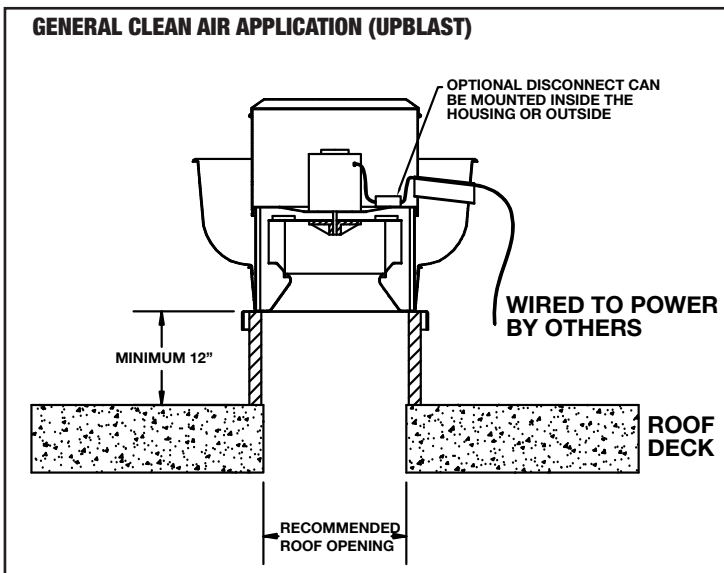
Note: Belt drive units are weighted without motor & drives.

INSTALLATION

1. Install roof curb, caulk and flash to ensure the water tightness.
2. Rotate the blower wheel by hand. Wheel should not be rubbing against the housing inlet. If rubbing occurs, loosen the set screws on the wheel hub and shift the wheel to obtain clearance. Then re-tighten all set screws.
3. Complete all subsequent duct connections.
4. Secure the fan to the curb cap. Do not lift the unit by the hood or motor. Lift the unit by horizontal supports on direct drive or by motor mounting plate for belt drive unit.
5. Use at least 8 proper fasteners to connect the blower base to the roof curb.
6. Verify if the power supply is compatible with the equipment.
7. Make sure the power line is shut down before wiring the motor to power line.
8. Remove top cap, connect power line to the motor/disconnect switch as indicated.
9. For all up blast units, the electrical supply enters the motor compartment through the vent tube.
10. Ensure all fasteners and set screws are tightened.
11. Place the top cap back on the hood.
12. Caulk and flash the fan base including the fan base corners and roof curb to ensure good water tightness.

STANDARD WIRING INSTRUCTIONS

1. A qualified electrician in accordance with all local and National Electrical Codes should do all wiring.
2. Ensure power supply is disconnected and locked out prior to making electrical connections.
3. Wire the motor according to the wiring diagram on motor label or on the sticker inside the motor wrap. All motors should be wired to the same rotation as indicated on the sticker on the top plate.
4. Leave enough slack in the wiring to allow for motor movement when adjusting the belt tension.
5. Excess wire must be restrained in order to prevent it from entering the pulley, shaft or wheel rotating area.
6. Disconnect switches are recommended and should be located near the fan in order to, swiftly cut off power in case of an emergency and maintain complete control of the power source.



VARIABLE SPEED CONTROL – SINGLE PHASE

Some single phase direct drive motor's running RPM can be adjustable with a variable speed control (please contact factory for more information). The speed control knob starts at off position, then high to low adjust range. At high speed, the speed control would allow the motor running at its maximum RPM. Dial the knob to the low side would let the speed control regulate the voltage on the motor to reduce the RPM.

A minimum speed adjustment is needed to limit the motor RPM range. Follow this procedure to set the minimum speed.

1. Motor must be in servicing status to allow the minimum speed setting. Motor would not slow down unless proper load is applied. Motor RPM would be changed under different system (static pressure).
2. Turn the main control knob to the lowest speed position.
3. Locate and adjust the minimum speed setting, it can be found on the control box itself.
4. Motor RPM range would be from full RPM to the RPM just set.

The lowest minimum voltage that may be applied to the motors is 65VAC. Running at lower voltage can cause premature failure to the motor.

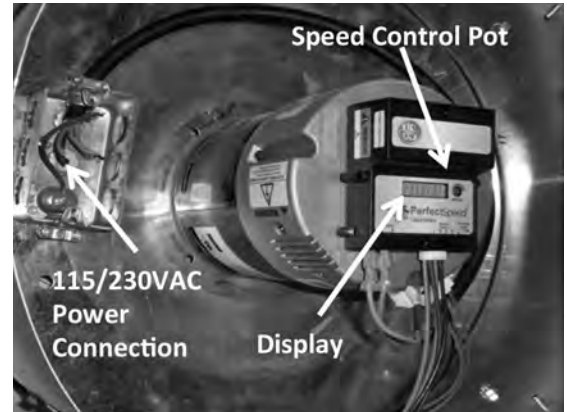
VARIABLE FREQUENCY DRIVE – THREE PHASE

For 3 phase motors, a variable frequency drive (VFD) is required to adjust motor speed.

EC (Electronically Controlled) MOTOR SPEED CONTROL

EC motors are equipped with a control module that allows for accurate manual adjustment of motor speed. Motor speed range is from 300 to 1800rpm or maximum rpm for that model.

The control module features a 4 digit LED display that indicates % demand of full speed and motor speed in rpm. The display also indicates an error code message for minor diagnostics if required.



MESSAGE DISPLAYED...

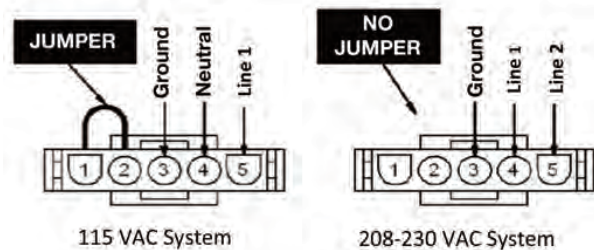
- Spd-** followed by the instantaneous speed in rpm
- dE-** followed by S + demand in %
- E1-** No communications
- E2-** Under Voltage

Motor speed can be changed by adjusting the speed control pot located on the control module. A small screwdriver can be used to make the speed adjustment.

AC Supply - 115/208-230VAC

Power is connected to the motor and control module through the junction box and wiring harness provided.

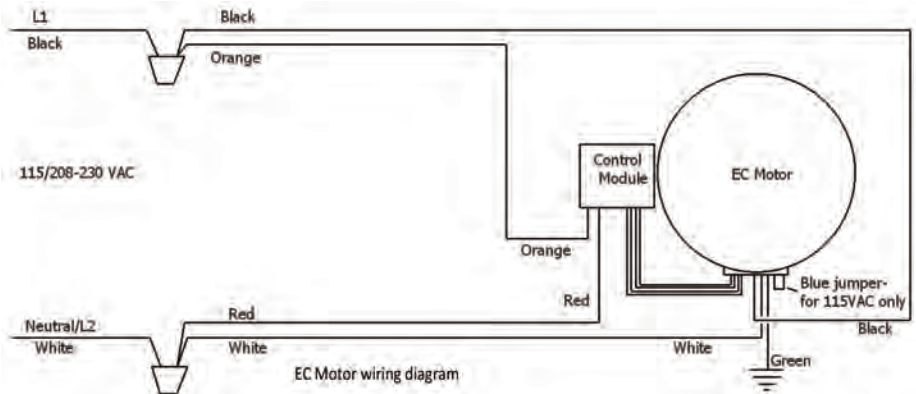
Note: For 115VAC operation the blue jumper provided (taped to wire harness) must be inserted into motor power connector. See diagram.



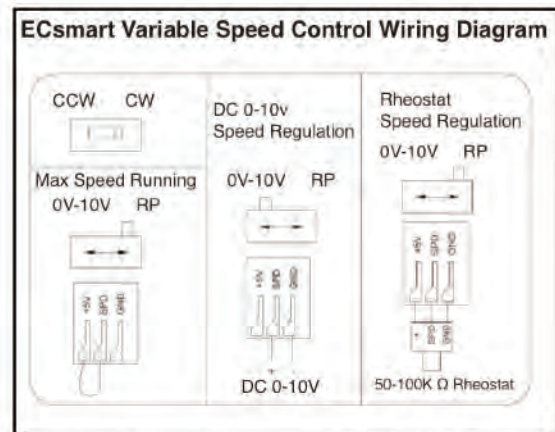
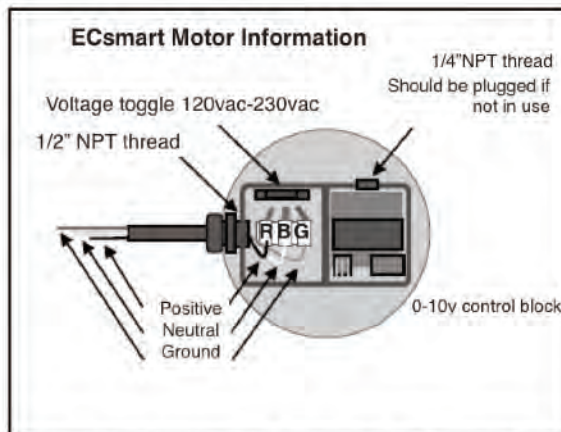
Caution: Operating the motor at 208-230VAC with the jumper will cause significant damage to the motor.

Note: EC motors have a soft start feature. When the power is turned on the control module gathers information from the motor then begins the start up process. After a few seconds the motor will start to turn and reach full set speed in 10-15 seconds.

Remote Speed Control Option (please contact factory for further information)



If your unit contains the ECsmart Motor please follow these wiring diagrams:

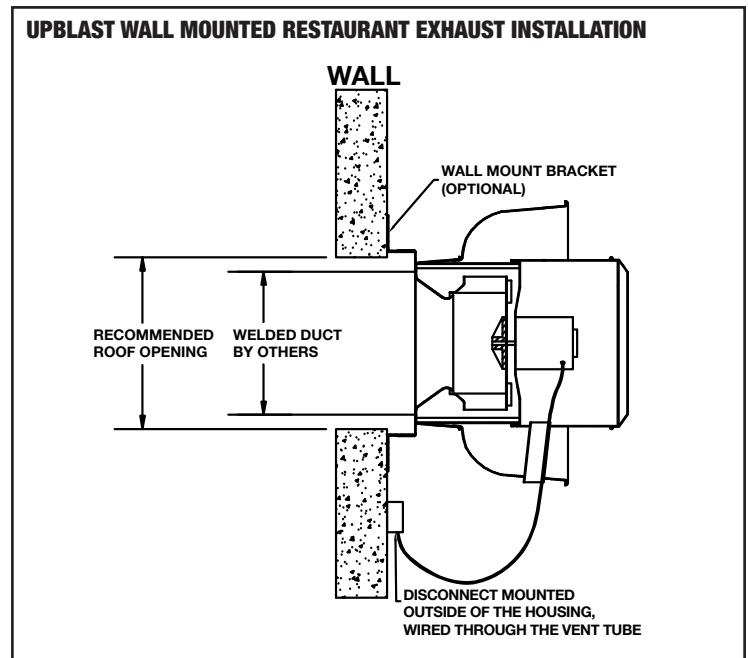
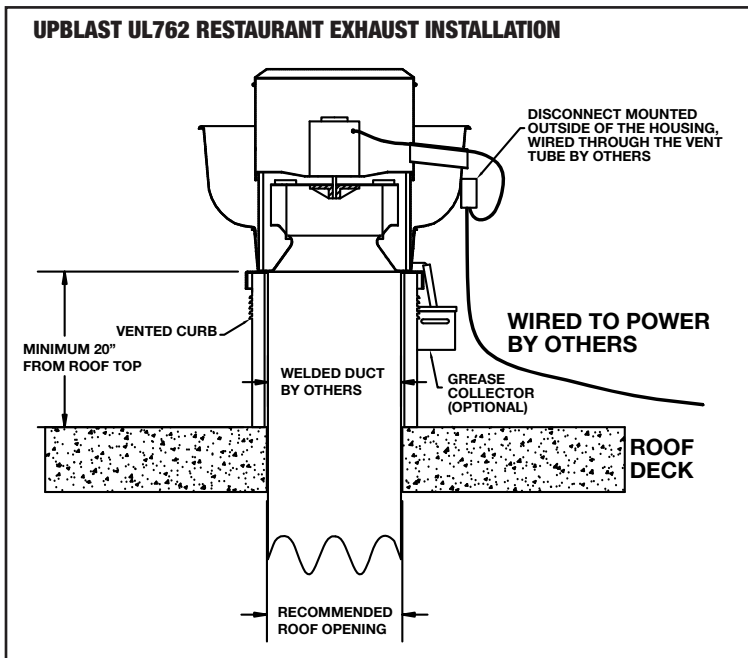


Please contact Canarm Ltd. for any, and all questions related to electrical or control connections to our EC motors.

RESTAURANT EXHAUST APPLICATION

All up-blast models are UL/cJUL listed, they are capable to meet UL705 Supplement SC for Commercial Kitchen application:

- The National Fire Protection Association (NFPA) publication NFPA 96 is the primary source for this application. Also consult local authorities for all other applicable codes and guidelines before installation.
- Exhaust fans used in kitchen ventilation applications must have external wiring. (Wiring must not be installed in the airstream).
- Installation must include a means for inspecting, cleaning and servicing the exhaust fan. (Curb hinge, grease collector and outdoor disconnect switches are available for purchase as accessories)
- No dampers can be used in the system.



PRE-START INSPECTION

1. Lock out all power sources.
2. Inspect all fasteners and set screws and tighten as required.
3. Inspect belt alignment and tension where applicable.
4. Confirm power source voltage and motor voltage are the same and that the motor is wired correctly.
5. Rotate the wheel to ensure that neither the fan blade nor the belts come into contact with the housing.
6. Inspect the fan and the ductwork to ensure they are free of debris.
7. Check to ensure that all guards and accessories are securely mounted.

START UP

Turn the fan on and inspect for the following:

1. Direction of rotation.
2. Improper motor amperage.
3. Excessive vibration.
4. Unusual noise.
5. Improper belt tension or alignment (only applicable on belt-drive unit).

If a problem is discovered shut off the fan and refer to the section on troubleshooting to discover the cause of the problem. The fan should be inspected after 30 minutes, 8 hours & 24 hours of operation to ensure all fasteners are tight and belts are properly tensioned and aligned.

MAINTENANCE

Disconnect and secure to the OFF position all electrical power to the fan prior to inspection or servicing. Failure to comply with this safety precaution could result in serious injury or death.

1. Ventilator should be checked at least once a year. For critical or severe applications a routine check every two to three months is suggested.
2. Guard to be kept free of debris. Easily installed/removed using the integrated twist lock tabs. Gently twist the guard tab so that it slips under the support arm to lock in place. Guard is easily removeable for fan servicing and cleaning. No tools are required.
3. When moving or installing a belt, don't force the belt over the sheave. Loosen the motor mount so that the belt can be easily slipped over the sheave.
4. The belt, on belt driven units, should be removed and carefully checked for cracks, ply separation or irregular wear. A small irregularity in the contact surface of the belt will result in noisy operation. If any of these defects are apparent the belt should be replaced. At the same time check the sheaves for chips, dents or rough surfaces that could damage the belt.
5. The correct belt tension is important. Too tight a belt will result in excess bearing pressure, which can cause premature bearing failure and may cause the motor to overload. Too loose a belt will result in slippage, which will burn out belts. Proper belt deflection should be 1/64" (half way between sheave centers) for each inch of belt span when a force of approximately 5 lbs. is applied.
6. The belt alignment should be checked to be sure that the belt is running perpendicular to the rotating shafts. Motor and drive shafts must be parallel.
7. A periodic inspection of all fasteners should be carried out to ensure they have not loosened due to vibration. Particular attention should be paid to fasteners attaching the wheel to the shaft and those attaching the shaft to the bearing.

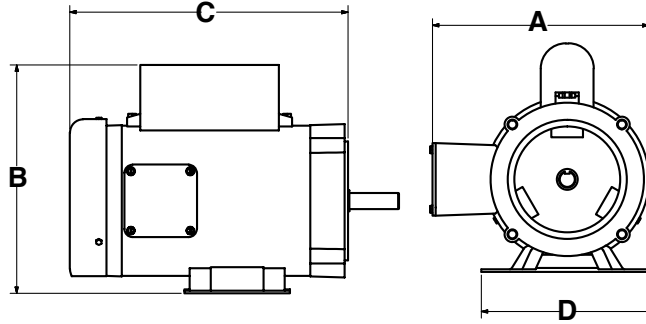
FAN TROUBLESHOOTING



WARNING
MAKE SURE THE UNIT IS NOT CAPABLE OF OPERATION DURING REPARATION.

PROBLEM	POSSIBLE ISSUE	SOLUTION
Excessive noise/vibration	Wheel rubbing inlet	Adjust wheel, loosen set screw(s) and move the wheel, acquiring clearance between inlet and wheel, then re-tighten set screw(s)
	Wheel unbalance	Check wheels for debris or dirt build up and clean when necessary
	Object in rotation area or housing	Remove object
	Motor compartment loose	Re-tighten the fasteners
Fan does not operate	Malfunction of electrical supply	Check supply voltage, fuse and switch
	Malfunction of motor	Check wiring and overload protector
Motor overload/overheat	Wrong wheel rotation	Re-wire the motor to change direction of rotation
Reduced airflow	Damper Malfunction	Check opening side of back draft damper, check operation status of controlled damper
	Wrong wheel rotation	Re-wire the motor to change direction of rotation
	Improper Duct System	Check obstruction of duct in the duct or dirty filter
	Discharge Blockage	Check discharge and remove any debris

FAN MOTOR DIMENSIONAL GUIDELINES

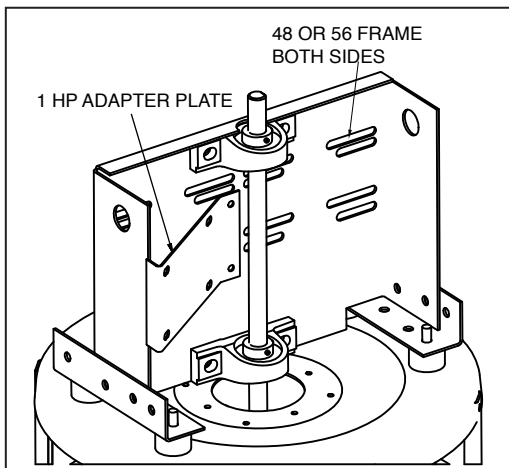


FAN	FRAME SIZES	MAX "A"	MAX "B"	MAX "C"	MAX "D"	RESILIENT BASE	MAX SHEAVE DIA.
ALX135UB/DB	48, 56	8.5	6.5	10.5	7	NO	5.5
ALX150UB/DB	48, 56	8.5	6.5	10.5	7	NO	5.5
ALX165UB/DB	48, 56, 143, 145	8.5	8	13	7	NO	5.5
ALX180UB/DB	48, 56, 143, 145	8.5	8	13	7	NO	5.5
ALX210UB/DB	56, 143, 145, 182, 184	11.5	11	12	8	YES	8
ALX245UB/DB	56, 143, 145, 182, 184	11.5	11	12	8	YES	8

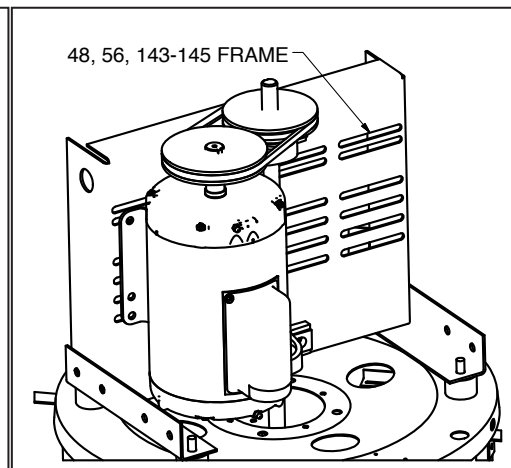
FAN	MAX "A"	MAX "B"	MAX "C"	C-FACE ONLY
ALX105/120UD	14	14	8.5	56 FRAME
ALX105/120DD	10	10	7.5	56 FRAME
ALX135/150UD	15	15	15	56 FRAME
ALX135/150DD	15	15	15	56 FRAME
ALX165UD	16	16	15.5	56 FRAME
ALX165DD	16	16	15.5	56 FRAME

MOTOR MOUNTING

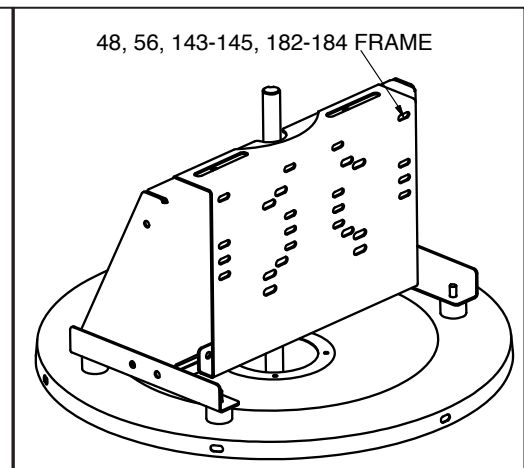
ALX135/ALX150



ALX165/ALX180

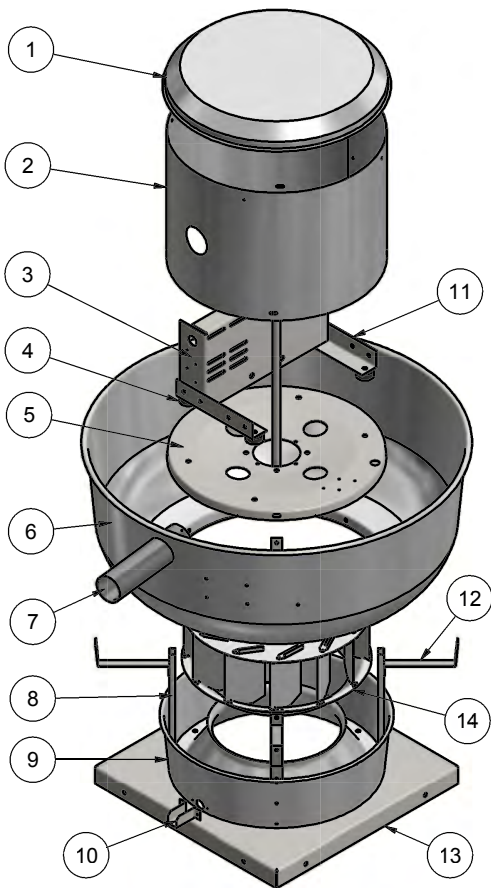


ALX210/ALX245



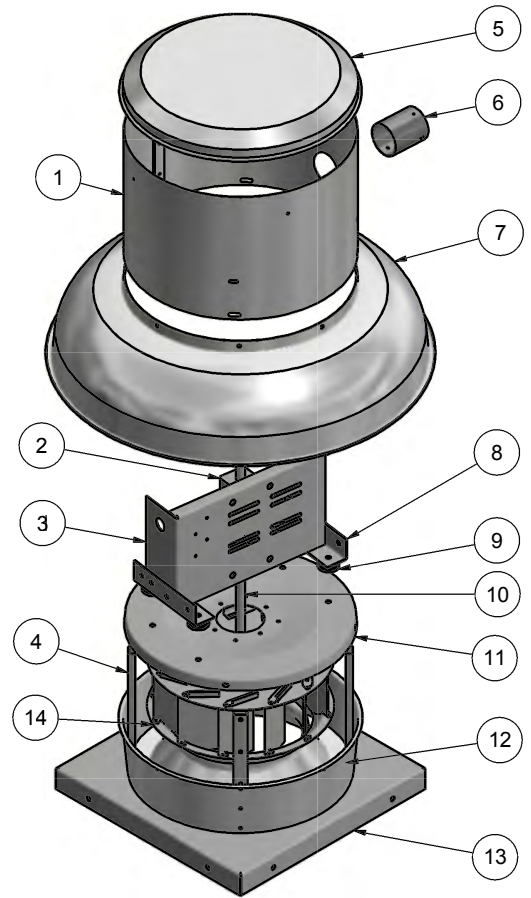
ALX SERIES SPUN ALUMINUM UPBLAST EXHAUSTERS - EXPLODED VIEW

ITEM #	DESCRIPTION	QTY
1	TOP CAP	1
2	MOTOR WRAP	1
3	MOTOR SUPPORT PLATE	1
4	VIBRATION ELIMINATOR	4
5	TOP PLATE	1
6	UPBLAST APRON	1
7	VENT	1
8	VERTICAL BRACKET	4
9	INLET BAFFLE	4
10	DRAIN	4
11	MOTOR SUPPORT RAIL	2
12	HORIZONTAL BRACKET	4
13	BASE	1
14	BLOWER WHEEL	1



ALX SERIES SPUN ALUMINUM DOWNBLAST EXHAUSTERS - EXPLODED VIEW

ITEM #	DESCRIPTION	QTY
1	MOTOR WRAP	1
2	BEARING	2
3	MOTOR SUPPORT PLATE	1
4	VERTICAL BRACKET	4
5	TOP CAP	1
6	VENT TUBE	1
7	DOWNBLAST APRON	1
8	MOTOR SUPPORT RAIL	2
9	VIBRATION ELIMINATOR	4
10	SHAFT	1
11	TOP PLATE	1
12	INLET BAFFLE	1
13	BASE	1
14	BLOWER WHEEL	1



NOTE: General models are shown above. Actual unit might vary according to size.

WARRANTY

CANARM Ltd. warrants every new fan to be free of defects in material and workmanship to the extent that, within a period of one year from the date of purchase **CANARM Ltd.** shall either repair or replace at **CANARM's** option, any unit or part thereof, returned freight prepaid, and found to be defective.

This warranty does not include any labour or transportation costs incidental to the removal and reinstallation of the unit at the user's premises.

Components repaired or replaced are warranted through the remainder of the original warranty period only; it is null and void in case of alteration, accident, abuse, neglect, and operation not in accordance with instructions.

NOTICE: No warranty claims will be honored by **CANARM Ltd.** unless prior authorization is obtained.

SÉRIES ALX

ÉVACUATEUR EN ALUMINIUM REPOUSSÉ



MODE D'OPÉRATION ET LISTE DES PIÈCES
LIRE ET GARDER CES INSTRUCTIONS

Le but de ce livret est de vous faciliter dans l'installation et l'opération de souffleurs. Ces instructions doivent compléter des bonnes pratiques générales et ne sont pas conçus pour couvrir les procédures détaillées.

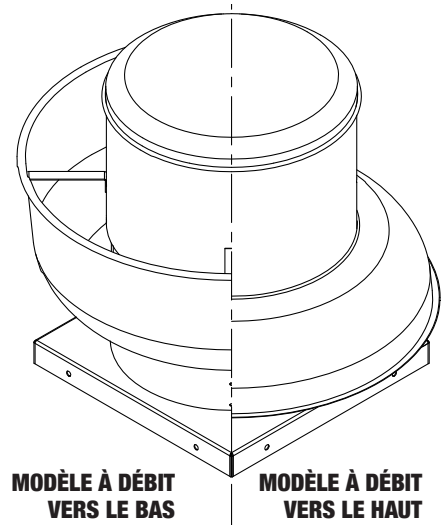
IL EST LA RESPONSABILITÉ DE L'ACHETEUR DE S'ASSURER QUE L'INSTALLATION ET L'ENTRETIEN DE CET ÉQUIPEMENT SOIENT FAITS PAR UN PERSONNE QUALIFIÉE.

Inspecter la marchandise lors de la réception pour s'assurer qu'il n'y a aucun dommage. **SI VOUS CONSTATEZ DES DOMMAGES, VOUS DEVEZ LES NOTER SUR LE CONNAISSEMENT DU TRANSPORTEUR ET FAIRE UNE RÉCLAMATION AU TRANSPORTEUR IMMÉDIATEMENT.**

NE SOULEVEZ PAS L'ÉQUIPEMENT PAR LE CAPOT OU LE MOTEUR. SOULEVEZ L'UNITÉ PAR LES SUPPORTS HORIZONTAUX.

PRECAUTIONS GÉNÉRALES

1. Tout le travail électrique doit être fait par un électricien qualifié selon les normes et les codes applicables.
2. Avant de débiter le câblage assurez-vous que la ligne n'est pas sous tension et que le voltage utilisé est identique à celui mentionné sur la plaque d'identification du moteur.
3. N'opérer pas ce ventilateur dans un environnement où les matériaux combustibles, les gaz, ou la fumée sont présents.
4. **Mise en garde** : Ce ventilateur inclus des pièces rotatives et électriques. Des mesures de sécurité appropriées doivent être prises durant l'installation, l'opération et l'entretien. Lorsque vous procédez à l'entretien, le moteur peut être chaud. Allouer un temps de refroidissement.
5. Avant de démarrer l'unité, assurez-vous que la roue tourne librement.
6. Vérifiez et serrez où nécessaire, tous les écrous, les boulons et les vis avant de démarrer le ventilateur (certains ont peut-être été desserrés pendant l'expédition).
7. **Suivre tous les codes nationaux, provinciaux et locaux concernant l'usage de cet appareil car ils supplantent de manuel**
8. **Ne pas suivre les instructions de ce manuel peut causer de sérieuses blessures ou la mort due à un choqué électrique ou aux pièces en rotation.**

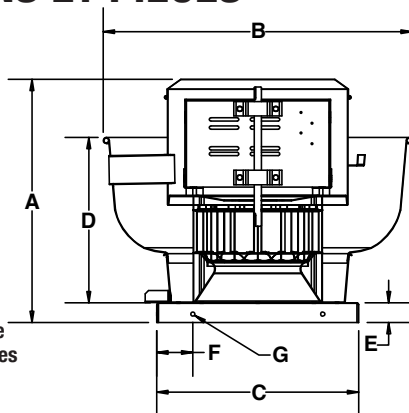


DIMENSIONS ET PIÈCES

MODÈLE À DÉBIT VERS LE HAUT

Débit vers le haut
entraînement par courroie illustré

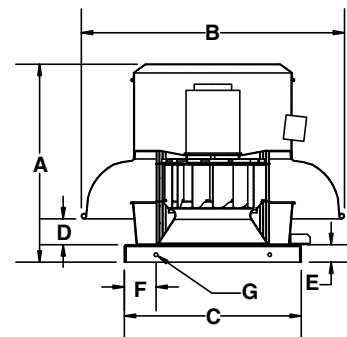
Les détails de plaque de moteur différent selon les grandeurs.



N.B.: EN RAISON DES DIFFÉRENCES DANS LA CONCEPTION DES MOTEURS PAR LES FABRICANTS, VEUILLEZ VOUS REPORTER À LA PAGE 5 POUR CONNAÎTRE LES CONSIGNES DES DIMENSIONS DES MOTEURS.

MODÈLE À DÉBIT VERS LE BAS

Débit vers le bas
entraînement direct illustré



Modèle	DIMENSIONS (POUCES)								Ouverture Toit	Poids Net (LBS)
	A	B	C	D	E	F	G	Ø		
ALX105-UD	17.63	25.00	19.00	13.00	1.50	3.50	0.38	10.50	15.00	35
ALX120-UD	18.63	25.00	19.00	13.00	1.50	3.50	0.38	12.25	15.00	37
ALX135-UD/UB	22.25 / 25.25	32.13	21.00	17.13	1.50	3.75	0.44	13.50	17.00	53 / 62
ALX150-UD/UB	23.13 / 26.13	32.13	21.00	17.13	1.50	3.75	0.44	15.00	17.00	58 / 67
ALX165-UD/UB	27.13 / 31.13	37.50	24.75	21.13	2.00	4.00	0.44	16.50	20.75	100 / 108
ALX180-UD/UB	27.75 / 31.75	37.50	28.00	21.13	2.00	4.00	0.44	18.25	20.75	108 / 116
ALX210-UB	36.25	43.75	33.13	25.50	2.50	4.00	0.44	21.25	29.00	178
ALX245-UB	37.00	43.75	33.13	25.50	2.50	4.00	0.44	24.50	29.00	183

Modèle	DIMENSIONS (POUCES)								Ouverture Toit	Poids Net (LBS)
	A	B	C	D	E	F	G	Ø		
ALX105-DD	18.00	25.00	19.00	2.50	1.50	3.50	0.38	10.50	15.00	33
ALX120-DD	19.00	25.00	19.00	3.50	1.50	3.50	0.38	12.25	15.00	35
ALX135-DD/DB	22.25 / 25.25	31.25	21.00	3.13	2.00	3.75	0.44	13.50	17.00	51 / 59
ALX150-DD/DB	23.13 / 26.13	31.25	21.00	3.75	2.00	3.75	0.44	15.00	17.00	56 / 65
ALX165-DD/DB	27.13 / 31.13	36.25	24.75	5.00	2.00	4.00	0.44	16.50	20.75	100 / 106
ALX180-DD/DB	27.75 / 31.75	36.25	28.00	5.50	2.00	4.00	0.44	18.25	20.75	104 / 110
ALX210-DB	36.25	43.75	33.13	5.25	2.50	4.00	0.44	21.25	29.00	176
ALX245-DB	37.00	43.75	33.13	5.88	2.50	4.00	0.44	24.50	29.00	181

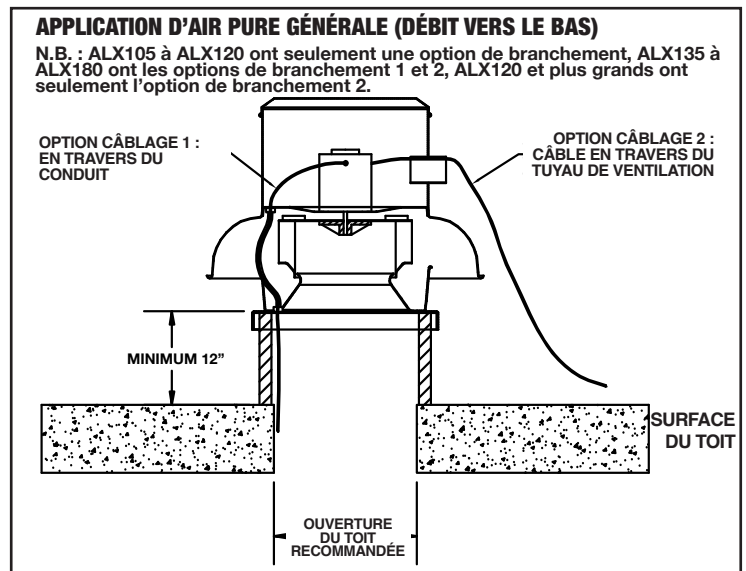
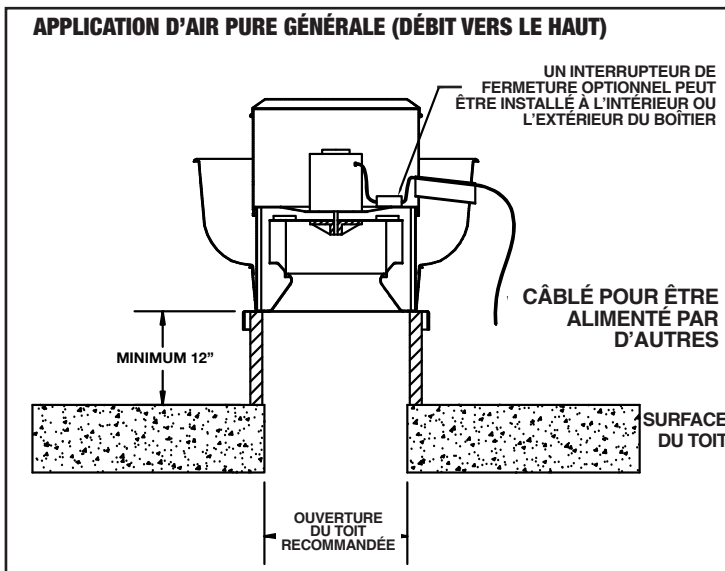
N.B. : Les unités à entraînement par courroie sont pesés sans moteur et entraînement

INSTALLATION

1. Posez le rebord, le scellant et la membrane pour assurer l'étanchéité.
2. Tournez la roue du souffleur à la main. La roue ne doit pas frotter contre le boîtier. Si il y a un frottement, dévissez la vis sur le moyeu de la roue et déplacer la roue pour la dégager. Vissez les vis de nouveau.
3. Compléter toutes les connexions de conduits subséquents.
4. Poser le ventilateur au capot du rebord. Ne soulevez pas le ventilateur par le capot ou le moteur. Soulevez par les supports horizontaux sur l'entraînement direct ou par la plaque de montage du moteur sur l'entraînement à courroie.
5. Utiliser au moins 8 attaches convenable pour posez le souffleur au rebord du toit.
6. Vérifier que le voltage utilisé est convenable pour l'appareil
7. Assurez-vous que la ligne n'est pas sous tension avant de procéder au câblage.
8. Retirer le capuchon du haut, posez le cable au moteur/interrupteur tel qu'indiqué.
9. Pour les unités à débit vers le haut, le cable électrique entre au compartiment du moteur par le tube d'aération.
10. Assurez-vous que toutes les attaches et les vis sont serrées.
11. Remettre le capuchon du haut sur le capot.
12. Sceller correctement la base du ventilateur et du rebord afin d'assurer une bonne étanchéité.

INSTRUCTIONS DE CÂBLAGE

1. Tout le câblage doit être effectué par un électricien qualifié selon les Normes Électriques Nationaux et Locaux.
2. Assurez-vous quel le courant est fermé avant de procéder au câblage électrique.
3. Câbler le moteur selon le diagramme sur l'étiquette du moteur ou sur l'étiquette sur l'emballage du moteur. Tous les moteurs doivent être câblés pour la même rotation qu'indiqué sur l'étiquette sur la plaque du haut.
4. Laissez une longueur suffisante de fil pour permettre un mouvement du moteur lorsque vous ajuster la tension de la courroie.
5. Cependant, le fil en trop doit être retenu pour prévenir qu'il entre dans la poulie, l'arbre ou la roue en mouvement.
6. Des interrupteurs d'arrêt sont recommandés et doivent être placés près du ventilateur afin de pouvoir les atteindre rapidement en cas d'urgence et ainsi maintenir un contrôle électrique.



CONTRÔLE DE VITESSE VARIABLE – UNE PHASE

Vous pouvez varier le RPM sur certain moteur à une phase à entraînement direct à l'aide d'un contrôle à vitesse variable (communiquer avec le manufacturier pour plus de détail). Le bouton du contrôle débute à la position fermé, puis peut être varier de grande à petite vitesse par rotation du bouton. A la grande vitesse, le contrôle ferait fonctionner le moteur à son RPM maximum.

Tourner le bouton vers le bas régimera réduira le RPM du moteur ainsi que le voltage.

Un ajustement de la vitesse minimum est requis pour limiter le minimum. Suivre ces procédures pour établir la vitesse minimum.

1. Le moteur doit être en état d'entretien pour permettre le réglage de la vitesse minimum. Le moteur ne se ralentirait pas à moins que la charge appropriée y soit appliquée. Le RPM du moteur peut varier selon les différents systèmes (pression statique).
2. Tournez le bouton du contrôle à la position de vitesse la plus basse.
3. Déterminer et ajuster la vitesse minimum, il serait indiqué sur la boîte de contrôle elle-même
4. La plage de vitesse serait entre le RPM le plus grand et celui que vous venez d'établir.

Le voltage minimum le plus bas que vous pouvez appliqué sur les moteurs est 65VAC. Un voltage en deçà de ce niveau peut causer un défaillance prématurée du moteur.

ENTRAÎNEMENT À FRÉQUENCE VARIABLE – TROIS PHASES

Pour un moteur 3 phases, un entraînement à fréquence variable (VFD) est requis pour ajuster la vitesse du moteur.

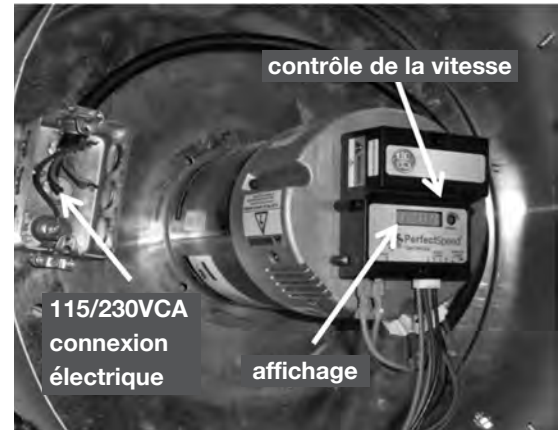
Contrôle de la Vitesse de Moteur EC (Contrôlé électroniquement)

Les moteurs EC sont équipés d'un module de commande qui permet un réglage manuel précis de la vitesse du moteur. La plage de vitesse du moteur est comprise entre 300 et 1800 rpm ou la vitesse de rotation maximale pour ce modèle. Le module de commande dispose d'un affichage à 4 chiffres indiquant le % de la vitesse maximale et la vitesse du moteur en rpm. L'affichage indique également un message d'erreur pour des diagnostics mineurs si nécessaire.

MESSAGE AFFICHÉE

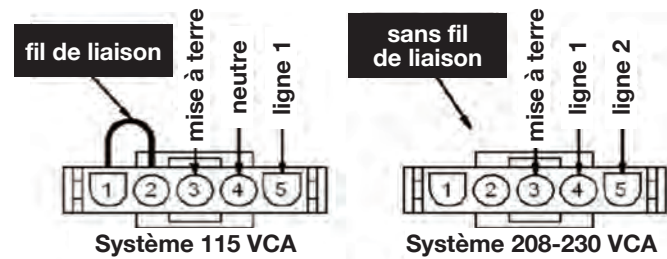
- Spd-** suivie par la vitesse instantanée en rpm
- dE-** suivie de S + demande en %
- E1-** Aucunes communications
- E2-** Sous tension

La vitesse du moteur peut être changée en ajustant le pot de contrôle de la vitesse situé sur le module de contrôle. Un petit tournevis peut être utilisé pour faire cet ajustement.



Alimentation en CA – 115/208-230VCA

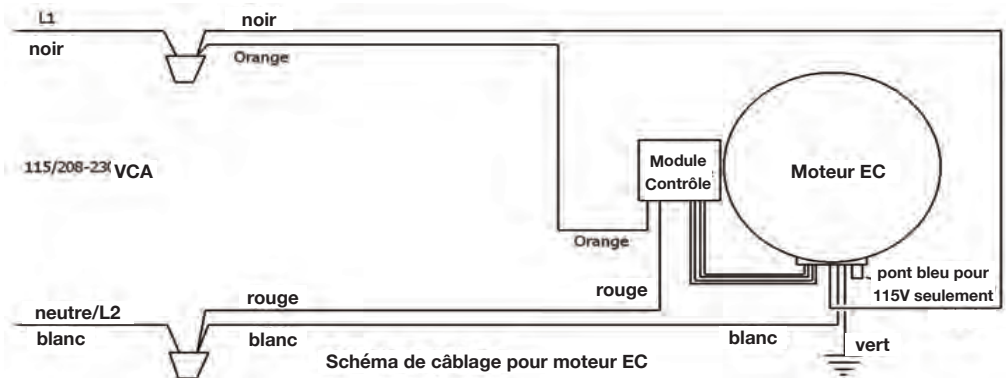
L'alimentation est connectée au moteur et au module de commande via la boîte de jonction et le harnais de câbles fourni. **N.B. :** Pour opération à 115VCA le fil de liaison bleu fourni (lié au harnais de fil) doit être inséré dans le connecteur d'alimentation du moteur.



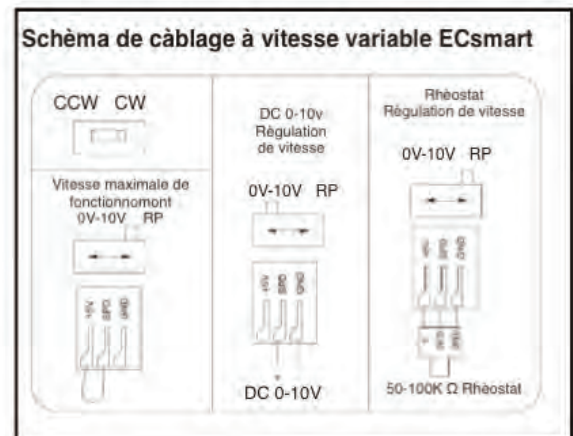
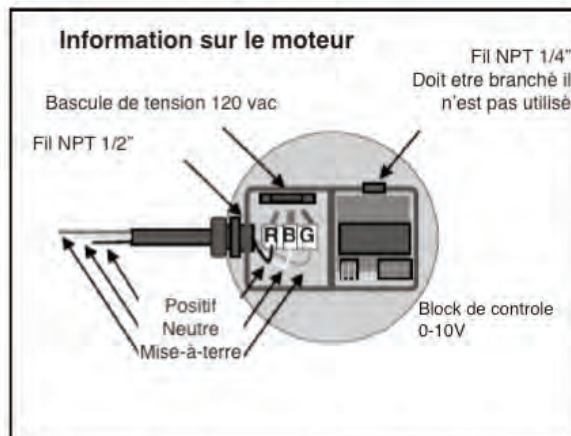
Mise en Garde : Opérer le moteur à 208-230VCA avec un fil de liaison peut endommager sérieusement le moteur

N.B. : Les moteurs EC ont un démarrage progressif. À la mise sous tension, le module de commande recueille les informations sur le moteur puis commence le processus de démarrage. Après quelques secondes, le moteur commencera à tourner et atteindra sa vitesse maximale en 10 à 15 secondes.

Option de contrôle de vitesse à distance (veuillez contacter l'usine pour plus de détails)



Si votre unité contient le moteur ECsmart, veuillez suivre ces schémas de câblage:

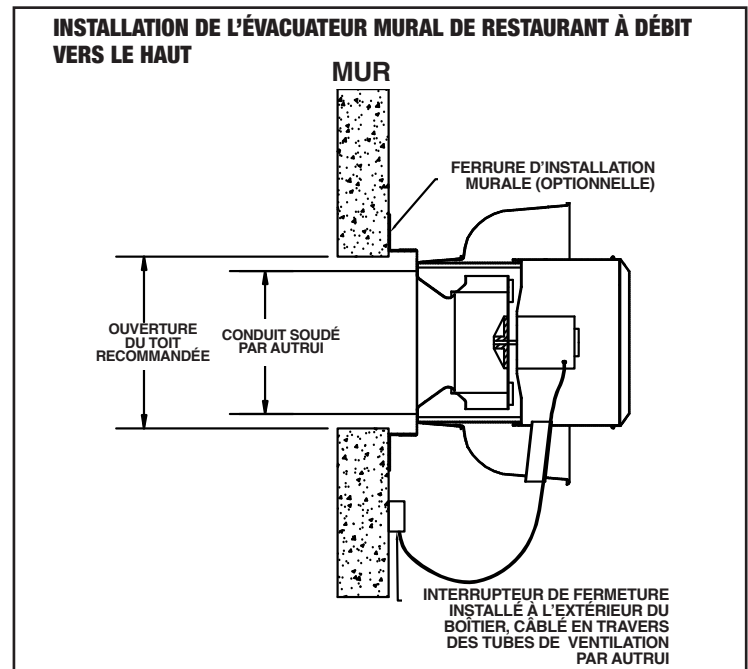
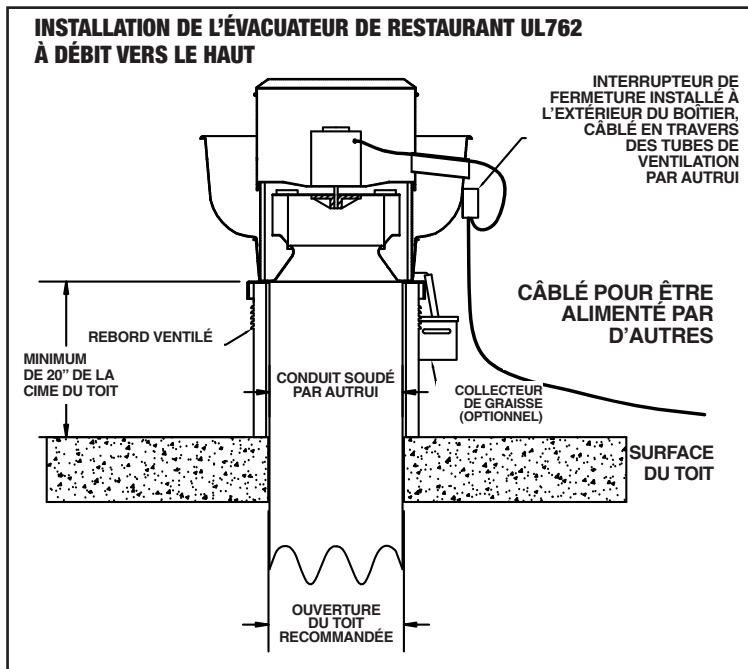


Veuillez contacter Canarm Ltd. Pour toutes questions relatives aux connexions électriques ou de contrôle de nos moteurs EC.

APPLICATION D'ÉVACUATION DE RESTAURANT

Tous les modèles à débit vers le haut sont listés UL/cUL et répondent aux normes UL705 Supplement SC s'appliquant aux cuisines commerciales :

- La publication NFPA96 de L'Association Nationale de Protection des Incendies (ANPI) est la source primaire de cette application. Consultez également les autorités locales pour connaître les autres règlements d'installation applicables dans votre région
- Les évacuateurs utilisés pour une ventilation de cuisine doivent avoir un câblage externe. (Le filage doit être installé dans le courant de l'air)
- L'installation doit permettre une inspection, nettoyage et entretien aisés du ventilateur (Des charnières, des collecteurs de graisse et des interrupteurs de fermeture externes sont disponibles en option).
- Aucun volet ne peut être utilisé dans ce système.



INSPECTION AVANT DÉMARRAGE

1. Mettre l'appareil hors tension au disjoncteur.
2. Vérifiez toutes les attaches et vis afin qu'elles soient bien serrées.
3. Faire l'inspection et l'alignement et la tension si applicable.
4. Confirmer que le voltage utilisé est identique à celui du moteur et que le tout est bien câblé.
5. Faire la rotation de la roue pour s'assurer que ni la pale ni la courroie n'est en contact avec le boîtier.
6. Faire l'inspection du ventilateur et des conduits pour vous assurer qu'il n'y a aucun débris.
7. Assurez-vous que les grillages et accessoires sont bien fixés.

DÉMARRAGE

Démarrer le ventilateur et inspecter les items suivants :

1. Sens de la rotation.
2. Ampérage erroné du moteur.
3. Vibration excessive.
4. Bruit inusité.
5. Tension ou alignement de la courroie incorrecte (applicable sur l'entraînement par courroie seulement).

Si vous détectez un problème, fermez le courant du ventilateur et consultez la section dépannage pour connaître la cause du problème. Le ventilateur devrait être inspecté après 30 minutes, 8 heures et 24 heures d'opération pour vous assurer que les attaches sont serrées et que la tension des courroies sont adéquate et bien alignées.

ENTRETIEN

Mettre l'appareil hors tension et fermer le disjoncteur avant de faire l'inspection ou l'entretien. Un manque à cette directive pourrait causer de sérieuses blessures ou la mort.

1. Le ventilateur doit être vérifié une fois l'an. Dans le cas d'utilisation critique ou sévère, inspectez l'appareil à tous les deux ou trois mois.

Mettre l'appareil hors tension et fermer le disjoncteur avant de faire l'inspection ou l'entretien. Un manque à cette directive pourrait causer de sérieuses blessures ou la mort.

1. Le ventilateur doit être vérifié une fois l'an. Dans le cas d'utilisation critique ou sévère, inspectez l'appareil à tous les deux ou trois mois.
2. Le grillage doit être gardé sans débris. Facilement installé/démontable à l'aide des languettes de verrouillage intégrées. Tournez la languette du grillage afin qu'elle glisse sous le bras de soutien pour verrouiller en place. Le grillage est facilement démontable pour l'entretien et le nettoyage. Aucun outil nécessaire.
3. Lorsque vous déplacez ou installez une courroie, ne la forcez pas sur la poulie. Dévissez la monture du moteur pour pouvoir glisser la courroie aisément sur la poulie.
4. La courroie, sur les modèles à entraînement par courroie, devrait être enlevée et vérifiée pour des fissures ou pour l'usure. Une irrégularité sur la surface de la courroie pourrait causer un bruit lors de l'opération. Si une défectuosité est remarquée, vous devez changer la courroie. En même temps, vérifiez la poulie pour les éclats, des fentes ou des surfaces rugueuses qui pourraient endommager la courroie.
5. La tension adéquate de la courroie est importante. Trop serrée cause une pression excessive sur les roulements à billes qui pourrait résulter en une surcharge du moteur. Une courroie trop lâche, résulte en un glissement de la courroie qui la brûlera. La déflexion adéquate de la courroie est à 1/64" (à demi distance des centres de poulie) par pouce de longueur de courroie avec une force approximative de 5 lbs.
6. L'alignement de la courroie doit être vérifié afin de s'assurer que la courroie roule perpendiculaire à l'arbre en rotation. Le moteur et l'arbre

DÉPANNAGE

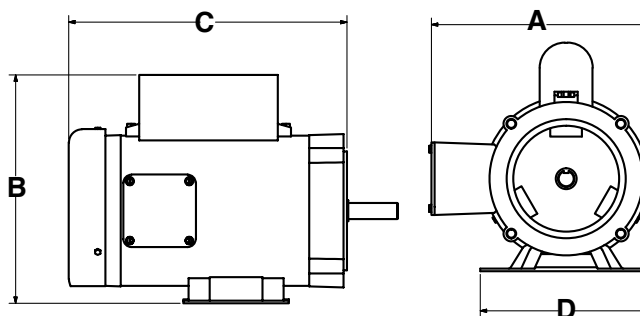


MISE EN GARDE

ASSUREZ-VOUS QUE L'APPAREIL NE PEUT PAS DÉMARRER DURANT LA RÉPARATION.

PROBLÈME	CAUSE POSSIBLE	SOLUTION
Bruit/vibration excessif	Roue frotte le boîtier	Ajuster la roue, dévissez la vis de retenue et déplacer la roue en vous assurant une clairance entre le boîtier et la roue. Serrer la vis de retenue.
	Roue débalancée	Vérifier la saleté et les débris sur la roue et nettoyer
	Objet dans le champ de rotation	Retirer l'objet
	Compartiment du moteur déserré	Revissier toutes les attaches
Ventilateur n'opère pas	dysfonctionnement de l'alimentation électrique	Vérifier le voltage, les fusibles et l'interrupteur
	dysfonctionnement de moteur	Vérifier le câble et la protection de surtension
Surtension/Surchauffement du moteur	mauvaise rotation des roues	Refaire le câblage pour changer la direction de la rotation
Débit d'air réduit	dysfonctionnement du volet	Vérifier le côté de l'ouverture du volet, vérifier l'opération du volet contrôlé
	mauvaise rotation des roues	Refaire le câblage pour changer la direction de la rotation
	système de conduit inapproprié	Redimensionner le conduit
	Blocage de décharge	Vérifier la décharge et enlever tous les débris

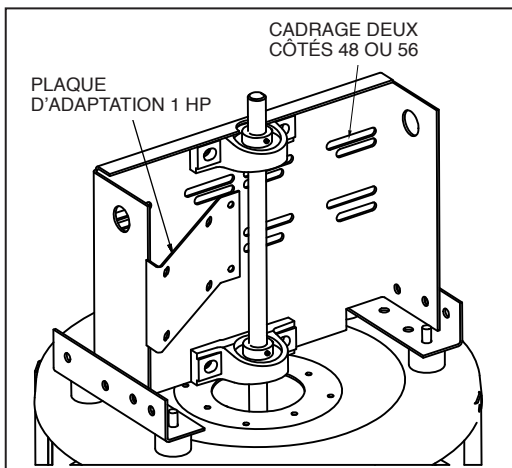
CONSIGNES DES DIMENSIONS DES MOTEURS



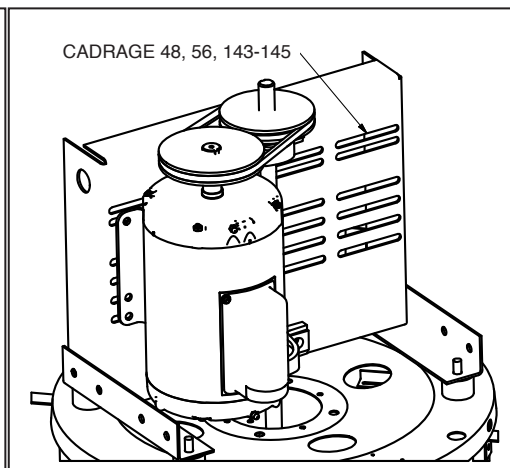
VENTILATEUR	DIMENSIONS DU CADRE	MAX "A"	MAX "B"	MAX "C"	MAX "D"	BASE RÉSILIENTE	DIAMÈTRE MAX DE LA POULIE
ALX135UB/DB	48, 56	8.5	6.5	10.5	7	NO	5.5
ALX150UB/DB	48, 56	8.5	6.5	10.5	7	NO	5.5
ALX165UB/DB	48, 56, 143, 145	8.5	8	13	7	NO	5.5
ALX180UB/DB	48, 56, 143, 145	8.5	8	13	7	NO	5.5
ALX210UB/DB	56, 143, 145, 182, 184	11.5	11	12	8	YES	8
ALX245UB/DB	56, 143, 145, 182, 184	11.5	11	12	8	YES	8

VENTILATEUR	MAX "A"	MAX "B"	MAX "C"	C-FACE SEULEMENT
ALX105/120UD	14	14	8.5	56 FRAME
ALX105/120DD	10	10	7.5	56 FRAME
ALX135/150UD	15	15	15	56 FRAME
ALX135/150DD	15	15	15	56 FRAME
ALX165UD	16	16	15.5	56 FRAME
ALX165DD	16	16	15.5	56 FRAME

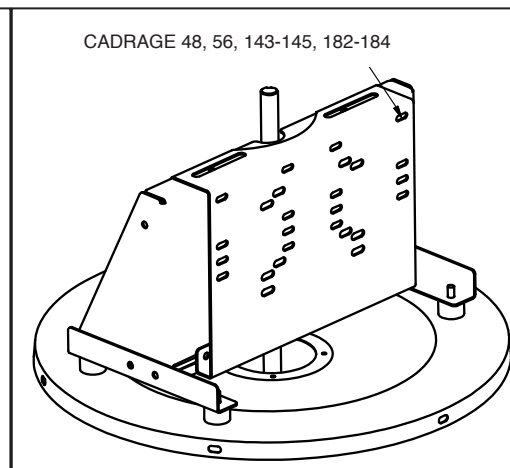
MONTAGE DU MOTEUR ALX135/ALX150



ALX165/ALX180

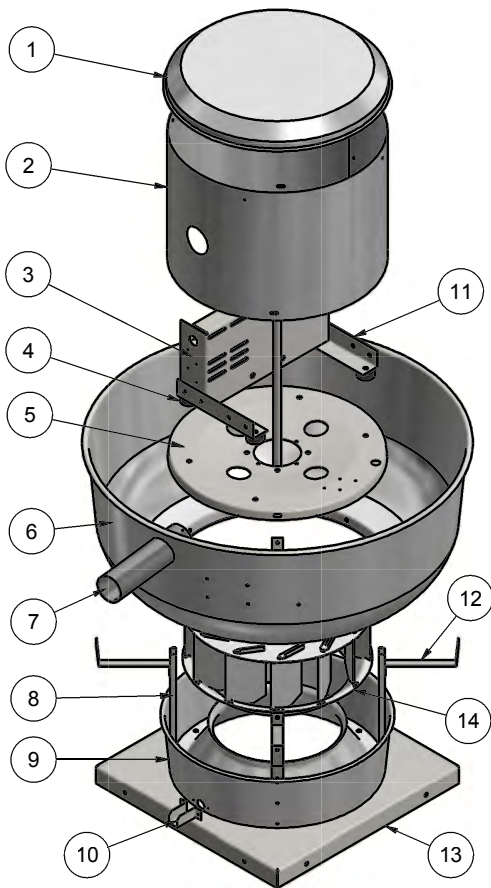


ALX210/ALX245



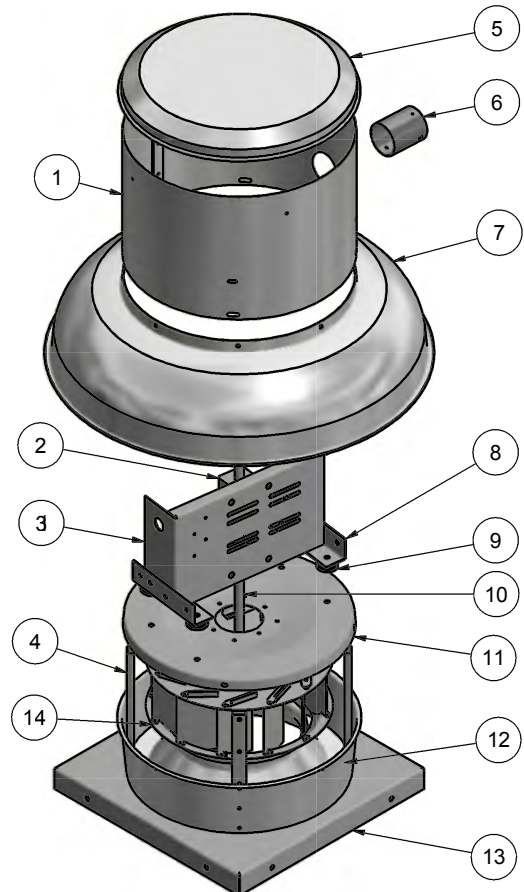
**ÉVACUATEUR DE LA SÉRIE ALX EN ALUMINIUM
REPOUSSÉ À DÉBIT VERS LE HAUT VUE DÉTAILLÉE**

ITEM #	DESCRIPTION	QTÉ
1	CAPUCHON DU HAUT	1
2	ENVELOPPE DU MOTEUR	1
3	PLAQUE SOUTIEN DE MOTEUR	1
4	ÉLIMINATEUR DE VIBRATION	4
5	PLAQUE DU DESSUS	1
6	TABLIER POUR DÉBIT VERS LE HAUT	1
7	ÉVENT	1
8	FERRURE VERTICALE	4
9	DÉFLECTEUR D'ENTRÉE	4
10	DRAIN	4
11	RAIL DE SOUTIEN DU MOTEUR	2
12	FERRURE HORIZONTALE	4
13	BASE	1
14	ROUE DE VENTILATEUR	1



**ÉVACUATEUR DE LA SÉRIE ALX EN ALUMINIUM
REPOUSSÉ À DÉBIT VERS LE BAS VUE DÉTAILLÉE**

ITEM #	DESCRIPTION	QTÉ
1	ENVELOPPE DU MOTEUR	1
2	ROULEMENT À BILLES	2
3	PLAQUE SOUTIEN DE MOTEUR	1
4	FERRURE VERTICALE	4
5	CAPUCHON DU HAUT	1
6	BANDE DE DÉBIT	1
7	TABLIER POUR DÉBIT VERS LE BAS	1
8	RAIL DE SOUTIEN DU MOTEUR	2
9	ÉLIMINATEUR DE VIBRATION	4
10	ARBRE	1
11	PLAQUE DU DESSUS	1
12	DÉFLECTEUR D'ENTRÉE	1
13	BASE	1
14	ROUE DE VENTILATEUR	1



N.B. : Les modèles illustrés sont à titre indicatif. L'unité réel peut varier selon la grandeur.

GARANTIE

Canarm Ltée. garantie que tout nouveau ventilateur est libre de toute défectuosités dans les matériaux et lamain-d'œuvre, et ce pour une période d'un an à partir de la date d'achat. Durant cette période, CANARM LTÉE. réparera ou remplacera à la discrétion de CANARM, tout appareil ou pièce d'appareil, retournez à nos locaux frais de port payé et que nous constatons une défectuosité.

Cette garantie n'inclut pas les frais de main d'œuvre et de transports encourus pour retirer et réinstaller cet appareil chez l'utilisateur.

Les pièces remplacées ou réparées sont garanties pour la période restante de la garantie originale seulement; cette garantie sera nulle dans le cas d'altérations, d'accident, d'abus, de négligence ou une opération inadéquate et non conforme aux instructions.

AVIS : Aucune réclamation ne sera honorée par Canarm sans autorisation obtenue au préalable.