



ALX-DB SERIES - DOWNBLAST BELT DRIVE SPUN ALUMINUM EXHAUSTERS

Ideal for exhausting air from factories, offices, warehouses or commercial buildings. The ALX series spun aluminum exhaust fan can be used as either a roof top or wall mount exhaust fan.

Now stocked (or with a 3-5 day lead time) complete with pre-set motor and drives using adjustable motor pulley for field adjustment!

For Performance Specifications please see next page.



QUICK RELEASE LATCH FOR EASY MOTOR ACCESS

FEATURES

- Spun aluminum housing will not rust, chip or peel.
- Aluminum backward inclined wheel is non-overloading.
- Belt drive
- Available with a variety of field or factory installed 1 phase & 3 phase motors.
- Units up to 24" (max 2HP) can be wall mounted.
- Quick release latches for easy motor access.
- Standard bird screen.

DIMENSIONS

NOTE: DUE TO MOTOR MANUFACTURERS VARIANCES IN DESIGN, PLEASE SEE USER MANUAL FOR MOTOR DIMENSIONAL GUIDELINES.

MODEL	DIMENSIONS (INCHES)													WEIGHT (lbs) without motors
	A	B	C	C2	D	E	F	G Ø	Shaft Size	Wheel Diameter	Wheel Diameter	Roof Opening		
ALX135-DB	25.25	31.25	21.00	24.75	3.13	2.00	3.75	0.44	3/4"	13.50	13.50	17.00	41	
ALX150-DB	26.13	31.25	21.00	24.75	3.75	2.00	3.75	0.44	3/4"	15.00	15.00	17.00	43	
ALX165-DB	31.13	36.25	24.75	28.00	5.00	2.00	4.00	0.44	3/4"	16.50	16.50	20.75	106	
ALX180-DB	31.75	36.25	28.00	24.75	5.50	2.00	4.00	0.44	3/4"	18.25	18.25	20.75	114	
ALX210-DB	36.25	43.75	33.13	40.00	5.25	2.50	4.00	0.44	1"	21.25	21.00	29.00	176	
ALX245-DB	37.00	43.75	33.13	40.00	5.88	2.50	4.00	0.44	1"	24.50	24.50	29.00	181	

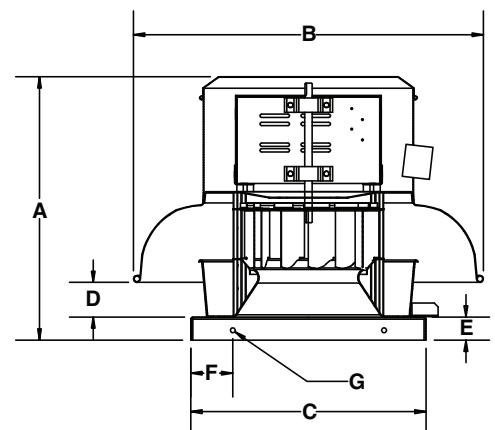
Note: Net weights for belt drive units do not include motor & drives.



Canarm certifies that the ALX-DB Series shown herein are licensed to bear the AMCA Seal. The ratings shown are based on tests and procedures performed in accordance with AMCA Publications 211 & 311 and comply with the requirements of the AMCA Certified Ratings Programme.

OPTIONS & ACCESSORIES

- Motorized damper
- Gravity (automatic) damper
- Wall mount bracket (for all sizes up to 24")
- Roof curb
- Disconnect switch
- Hinge kits
- VFD for 3 phase motors
- Other base (curb cap) options available. See C2 in dimensions table.





ALX-DB SERIES - DOWNBLAST BELT DRIVE SPUN ALUMINUM EXHAUSTERS

PERFORMANCE SPECIFICATIONS

ALX DB WITH MOTORS & DRIVES and wired disconnect

Values @ 0.5" SP															
Single	Three Phase	RPM Range	HP	RPM	BHP	Sones	0	0.125	0.25	0.375	0.5	0.75	1	1.25	1.5
ALX135DBT10025**	-	862-1293	1/4	1091	0.18	9.6	1303	1236	1162	1063	967	-	-	-	-
ALX135DBT10033**	-	932-1398	1/3	1255	0.27	12.9	1498	1443	1383	1306	1226	1050	-	-	-
ALX135DBT10050**	-	1121 - 1552	1/2	1441	0.4	16.3	1722	1674	1623	1565	1501	1351	1191	-	-
ALX150DBT10050**	-	932-1398	3/4	1185	0.35	16.6	1856	1784	1708	1616	1497	1143	-	-	-
ALX150DBT10075**	-	1078-1617	3/4	1401	0.56	23	2196	2132	2072	2004	1920	1732	1548	1297	-
ALX150DBT10100	ALX150DBT30100*	1340-1820	1	1515	0.7	26	2376	2320	2264	2196	2132	1964	1792	1604	1353
ALX165DBT10100	ALX165DBT30100*	1097-1489	1	1249	0.61	21	2600	2611	2509	2407	2300	2089	1828	1427	-
ALX165DBT10150	ALX165DBT30150*	1254-1646	1 1/2	1455	0.94	26	3100	3076	2993	2898	2800	2630	2427	2204	1980
ALX180DBT10100	ALX180DBT30100*	980-1293	1	1111	0.83	21	3682	3583	3420	3263	3090	2706	2239	-	-
ALX180DBT10200	ALX180DBT30200*	1097-1489	2	1242	1.14	27	4089	4002	3878	3755	3605	3296	3966	2526	1936
ALX210DBT10150	ALX210DBT30150*	862-1132	1 1/2	977	1.12	19.3	4860	4746	4551	4344	4104	3570	2920	-	-
ALX245DBT10150	ALX245DBT30150*	673-889	1 1/2	800	1.38	19.4	5910	5668	5415	5081	4759	4068	3170	-	-
ALX245DBT10200	ALX245DBT30200*	745-979	2	871	1.76	23	6428	6210	5979	5691	5404	4794	4080	-	-
ALX245DBT10300	ALX245DBT30300*	862-1132	3	973	2.44	27	7188	6992	6797	6566	6313	5761	5231	4563	3769

** 115V only. All other motors will be wired at high voltage.

*For three phase motors, substitute "**" with "M" for 230/460 volt (wired for 460V) or "P" for 575 volt

UL705 = 1Ø Only

ALX DB WITHOUT MOTORS & DRIVES

	MODEL	MIN HP	MAX HP	MAX RPM	TYPICAL MAXIMUM CFM @ SP								
					0"	0.25"	0.5"	0.75"	1"	1.25"	1.5"	2"	2.25"
Use Delair to price with motors and drives	ALX135-DB		3/4	1800	2200	2100	2000	1900	1800	1600	1500	-	-
	ALX150-DB	1/4	1	1800	2800	2700	2600	2500	2400	2200	2100	1700	1400
	ALX165-DB	1/4	2	1800	3800	3700	3600	3400	3300	3100	3000	2600	2400
	ALX180-DB	1/4	2	1500	4900	4700	4500	4300	3900	3700	3500	2700	1000
	ALX210-DB	1/2	3	1300	6500	6200	5900	5600	5300	4900	4400	3100	2000
	ALX245-DB	1/2	5	1200	8900	8500	8200	7800	7400	6900	6500	5400	4700

Consult our Delair fan selection software for fan curves and performance data.
Download Delair at www.canarm.com/delair

* Motor adaptor plate required for 3HP+