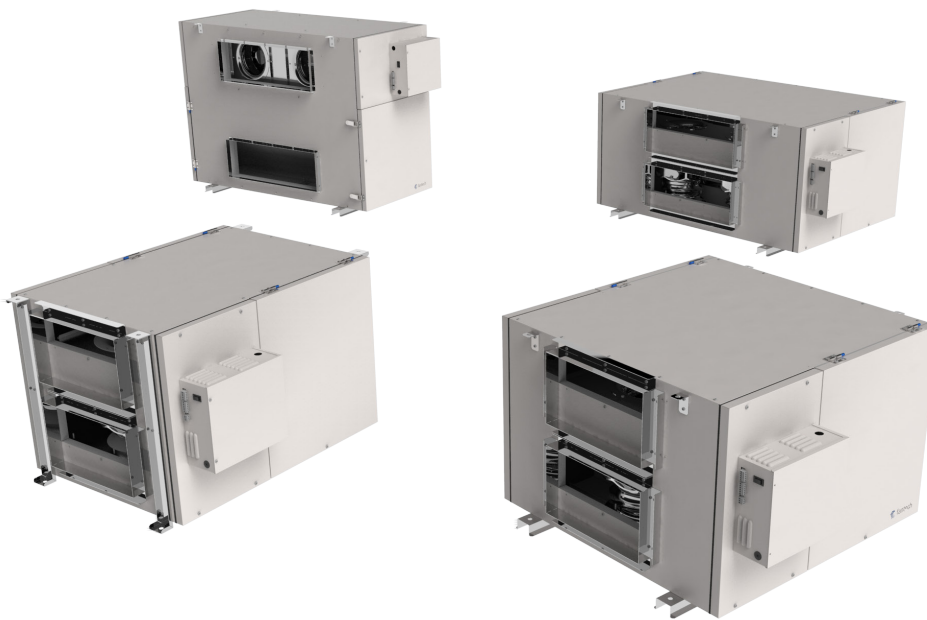


Installation Manual

Light commercial models

Energy Recovery Ventilators



SER 450 • SER 700 • SER 1100 • SER 1300

Your ventilation system should be installed in conformance with the appropriate provincial requirements or, in the absence of such requirements, with the current edition of the National Building Code, and / or ASHRAE's "Good Engineering Practices".

United States

10048 Industrial Blvd., Lenexa, KS, 66215
Tel.: 800.747.1762 • Fax: 800.487.9915






Canada

50 Kanalfakt Way, Bouctouche, NB, E4S 3M5
Tel.: 800.565.3548 • Fax: 877.747.8116

Fantech reserves the right to modify, at any time and without notice, any or all of its products' features, designs, components and specifications to maintain their technological leadership position.
Please visit our website www.fantech.net for more detailed technical information.



fantech®
a systemair company

				
Note	Warning/ Important note	Information	Technical information	Practical tip



PLEASE READ AND SAVE THESE INSTRUCTIONS

Before installation, careful consideration must be given to how this system will operate if connected to any other piece of mechanical equipment, i.e. a forced air furnace or air handler, operating at a higher static. After installation, the compatibility of the two pieces of equipment must be confirmed by measuring the airflow's of the Energy Recovery Ventilators. It is always important to assess how the operation of any ERV may interact with vented combustion equipment (i.e. Gas Furnaces, Oil Furnaces, Wood Stoves, etc.).

Never install a ventilator in a situation where its normal operation, lack of operation or partial failure may result in the backdrafting or improper functioning of vented combustion equipment!!!



Products are designed and manufactured to provide reliable performance, but they are not guaranteed to be 100% free of defects. Even reliable products will experience occasional failures, and this possibility should be recognized by the user. If these products are used in a life support ventilation system where failure could result in loss or injury, the user should provide adequate back-up ventilation, supplementary natural ventilation or failure alarm system, or acknowledge willingness to accept the risk of such loss or injury.

Your ventilation system should be installed in accordance with the local building code that is in effect. In absence of such requirements, it is recommended to check with local authorities having jurisdiction in your area prior to installing this product.

Table of content

INSTALLATION	
Location	4
Port Configuration	5
Installing Duct Connections	6
AIRFLOW BALANCING	7
INSTALLATION EXAMPLES	
Fully Dedicated Systems	8
Partially Dedicated Systems (direct connections)	8
Partially Dedicated Systems (indirect connections)	9
Simplified Installation	9
MODES OF OPERATION	10
Speed Setting	11
LOW VOLTAGE CONTROL SYSTEM	12
MAINTENANCE	14
WIRING DIAGRAM	15
INSTALLATION VERIFICATION TEST	20
PARTS LIST	44

Understanding Fantech Product Numbers

SER 700

S = Side Ducting

E = ENERGY Recovery

R = Remote Control Option

700 = 700cfm @0.4 W.G

Installation

Location

The ERV must be located in a conditioned space where it will be possible to conveniently service the unit. Typically the ERV would be located in the mechanical room, above a drop ceiling or an area close to the outside wall where the weatherhoods will be mounted. Attic installations are not normally recommended due to extreme temperatures, and difficulty in performing required service & maintenance. If an attic is selected, special care should be taken in ensuring the unit will perform as intended. Unit may need to be protected with an insulated shelter built on site.

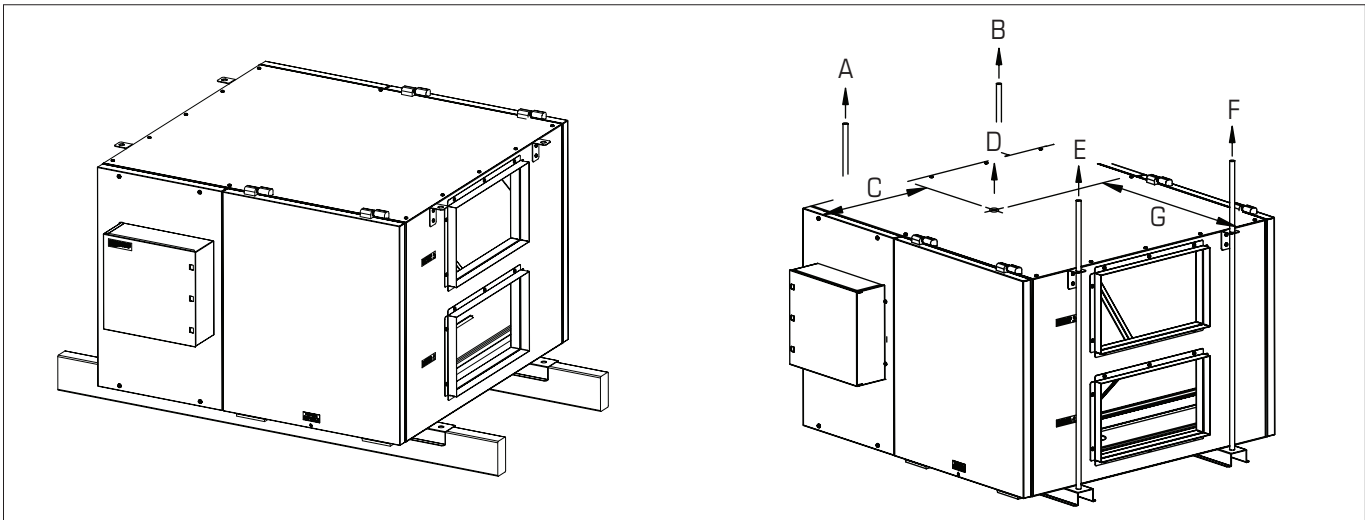
Connecting appliances to the ERV It is not recommended, including:

- clothes dryer
- kitchen exhaust hoods
- combustion venting
- central vacuum system

These appliances may cause lint, dust or grease to collect in the ERV , damaging the unit.



Connecting any of these type of appliances to the ERV will invalidate your warranty

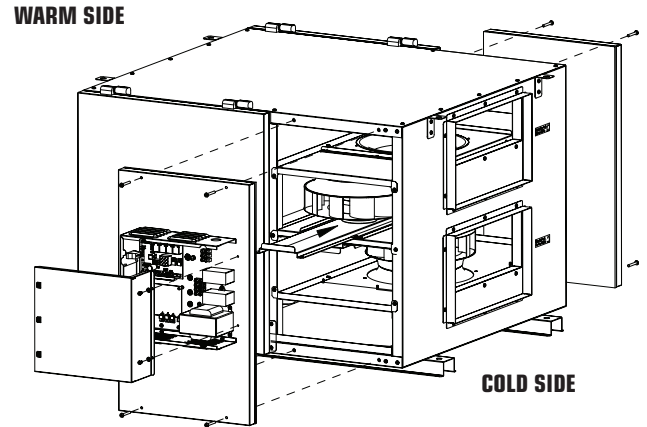
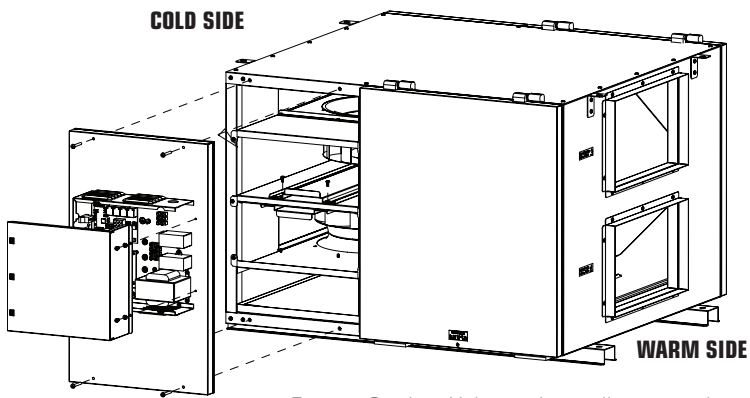


Model	A		B		C		D		E		F		G	
	Kg	lbs	Kg	lbs	in.	mm.	Kg	lbs	Kg	lbs	Kg	lbs	in.	mm.
SER 450	16.6	36.6	15.6	34.4	12.6	320	58	127.9	13.6	30	12.7	28	17.6	448
SER 700	21.7	47.8	20.4	44.9	15.4	390	76	168	17.8	39.3	16.6	36.6	17.6	448
SER 1100	27.4	60.5	24.3	53.5	21.4	544	97.5	215	24.7	54.5	21.3	47	18	455
SER 1300	31.4	69.3	25.8	56.9	10	254	102.5	226	26.7	58.9	21.2	46.7	19	483

Port configuration

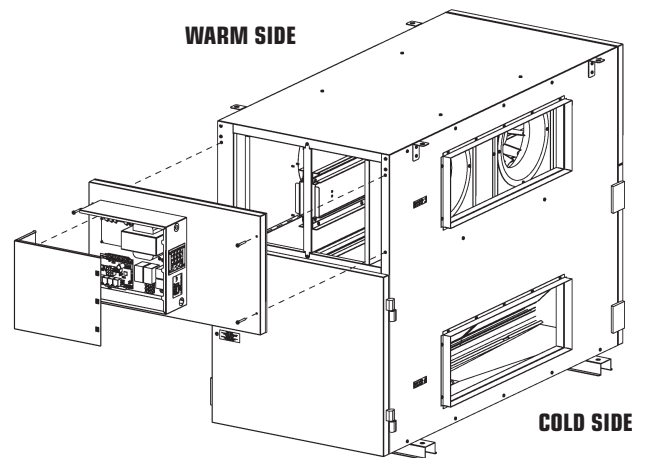
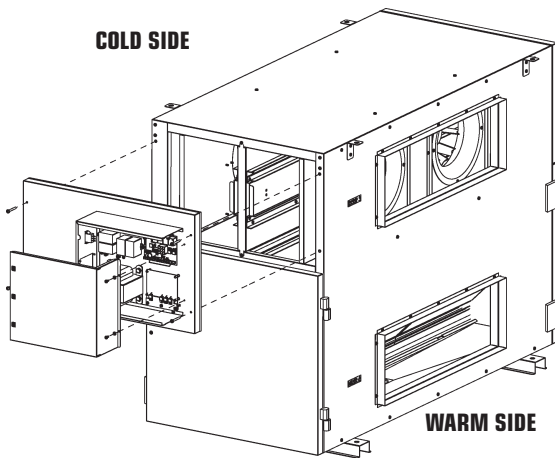
The unit has access doors on the front and back. Also, the main control panel may be moved from front to back allowing for ducting layout.

SER 450, SER 700 & SER 1100



Factory Setting. Unit may be easily reversed in field.

SER 1300



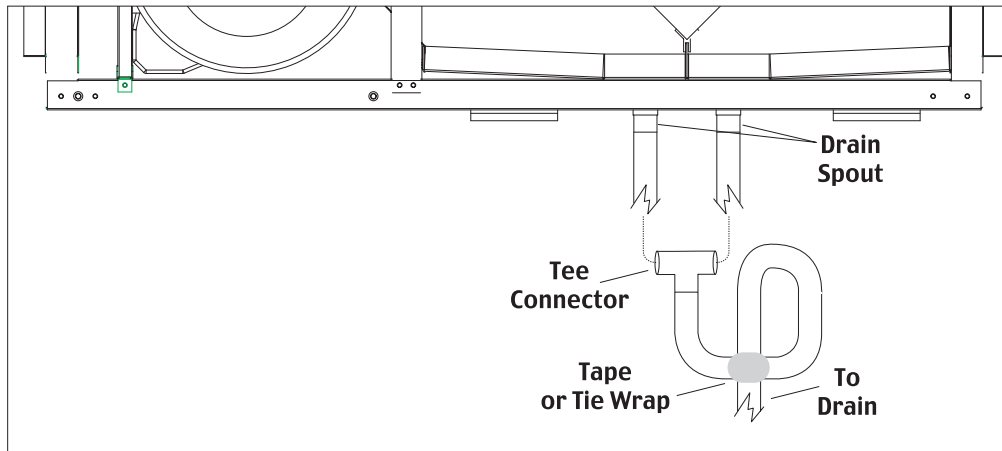
Factory Setting. Unit may be easily reversed in field.

Installing Drain Line

Through normal operation and including defrost mode, the ERV may produce some condensation. This water should flow into a nearby drain, or be taken away by a condensate pump. The ERV and all condensate lines must be installed in a space where the temperature is maintained above the freezing point. A "P" trap should be made in the drain line. This will prevent odors from being drawn back up into the unit.

Remove the drain spout, invert it so it protrudes from the bottom of the unit and re-install in order to connect a condensate drain

Install the drain hose, making a "P" trap



Caution:

A Drain and Tubing (included) must be installed for all HRV units. For ERV units, drain is not required, however, it is recommended for climates where outdoor temperature typically remains below -25°C (-13°F) combined with an indoor relative humidity higher than 40% for a period of 24 hours or several days in a row.

Installing ducts going to / from outside

Installing the ducting to the weatherhoods

Outside weatherhoods

The weatherhoods must have built-in "bird" screens with 1/4 inch (6.35 mm) minimum mesh to prevent birds and rodents from entering into the ductwork. Do not use smaller mesh as it will be very susceptible to plugging up. The preferred location of the weatherhoods is:

- No less than 10 ft. (3 m) apart from each other.
- At least 18 inches (457.2 mm) above snow line or ground level.
- Supply hood must be kept away from sources of contaminants, such as automobile exhaust fumes, gas meters, garbage cans, containers, cooling towers, tar roofs, etc.
- Avoid prevailing winds, whenever reasonably possible.

The outside perimeter of the weatherhood must be sealed to prevent leakage into the building.

Careful consideration should be given to selecting an outside hood with a face velocity low enough so as not to encourage the migration of rain or snow into the ductwork.

Ducting from the weatherhoods—To and From the ERV

Galvanized sheet metal ducting with sufficient cross section with an integral single piece of insulated wrap with vapor barrier should be used to connect the ERV to the weatherhoods. Insulated flex duct may be used in moderation, if sized and installed properly. (Consult local codes)

A minimum R value of insulation should be equal to 4 (RSI 0.75), consult local codes.

All ducts should be sealed using a good bead of high quality caulking (preferably acoustical sealant) and a high quality aluminum foil tape, or other approved duct sealant.

Installing ducts to / from inside

To maximize airflow in the ductwork system, all ducts should be kept short and have as few bends or elbows as possible. Forty-five degree are preferred to 90° elbows. Use “Y” tees instead of mitered tee whenever possible.

All duct joints must be fastened with screws or duct sealant and wrapped with a quality duct tape to prevent leakage. Aluminum foil duct tape is recommended.

Supply air ducting

In buildings without a forced air HVAC systems, fresh air should be supplied to all habitable areas. It should be supplied from high wall or ceiling locations. Grilles that diffuse the air comfortably such as grille {MGE (metal)} grilles with “coanda effect” are recommended.

Optional inline duct heaters may be used to add heat if required.

Direct connection to furnace/ air handler return duct

- Should you wish to hard duct the supply air directly into the cold air return of the HVAC systems, remember to check the airflow balance of the ERV with the HVAC systems fan both “on” and “off” to determine that it does not imbalance the ERV more than 10%. Make sure you respect the minimum distance from the supply air in of the ERV and the HVAC systems.
- It may be necessary to install a separate fresh air supply ductwork system if the cooling is other than forced air.

When installing an ERV, the designer and installer should be aware of local codes that may require smoke detectors and/or firestats in the HVAC or ERV ductwork.

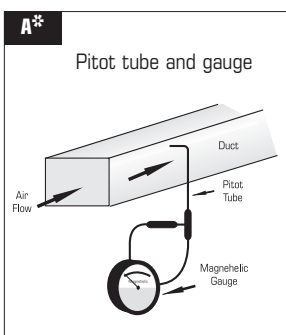
Because an ERV is designed to bring fresh air into the building, structures may require supply voltage interrupt when smoke or flame sensors are triggered, or when a central fire alarm system is activated.

Exhaust air ducting

The stale air exhaust system is used to draw air from the points in the building where the worst air quality problems occur. (See installation examples in the manual.)

Airflow balancing

- The balancing procedure consists of measuring the exhaust air leaving the system and the supply air entering the system and ensuring that these two are equal. A deviation of 10% or less is acceptable.



A The duct's airflow velocity is generally measured with a magnehelic gauge and a pitot tube.

- To avoid airflow turbulence and incorrect readings, the airflow velocity should be measured on steel ducting a minimum of 3 duct cross-sections from the unit or elbow and before any transition.



A professional air balancer should be contacted to commission the system properly. A skilled HVAC Tech may complete the balance of air providing they possess the proper equipment. Call Fantech Technical support for assistance.

Installation examples

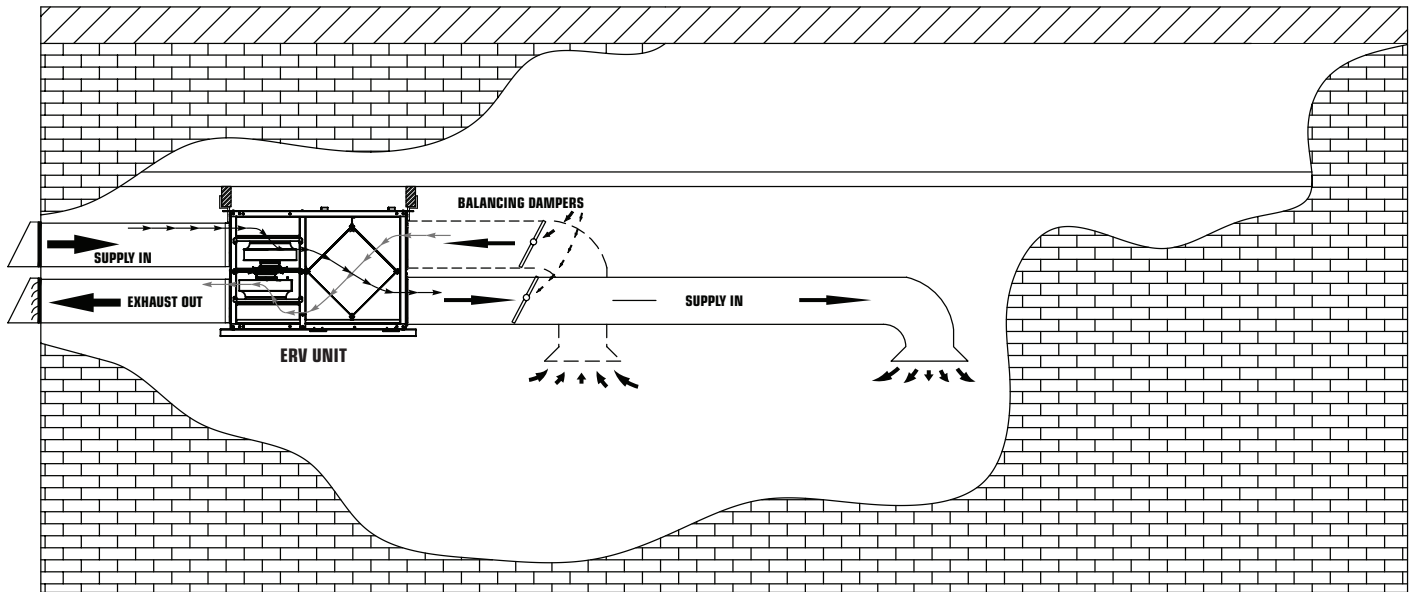


* Drawings are illustrations only and actual port locations and airflow directions may vary, consult unit spec sheets.

It is the responsibility of the installer to ensure all ductwork is sized and installed as designed to ensure the system will perform as intended. The amount of air (CFM) that an ERV will deliver is directly related to the total external static pressure (E.S.P.) of the system. Static pressure is a measure of resistance imposed on the blower by length of duct work/number of fittings used in duct work, duct heater etc.

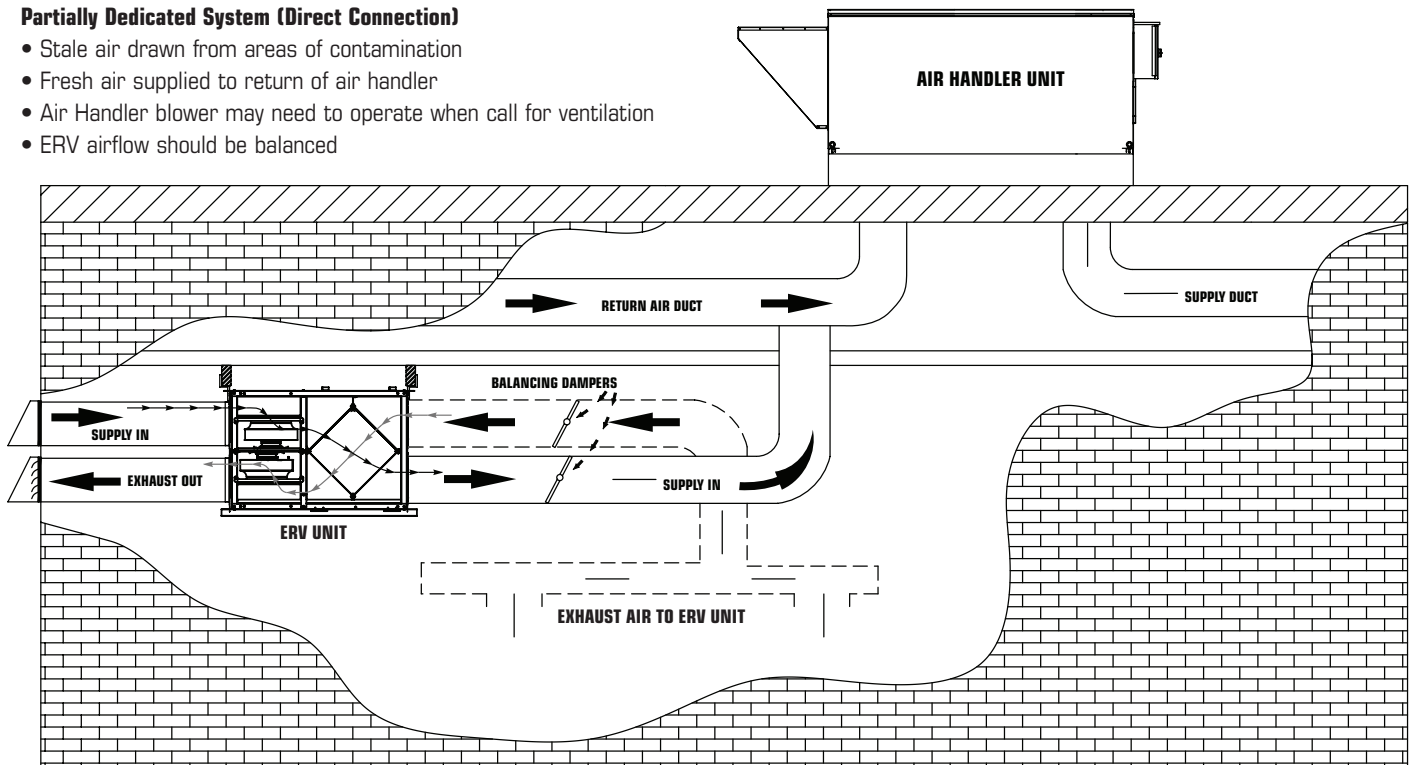
Fully Dedicated System

- Stale air drawn from areas of contamination
- Fresh air supplied to main areas
- ERV airflow should be balanced
- External heating or cooling coil may be needed if air is not able to mix comfortably.



Partially Dedicated System (Direct Connection)

- Stale air drawn from areas of contamination
- Fresh air supplied to return of air handler
- Air Handler blower may need to operate when call for ventilation
- ERV airflow should be balanced



Installation examples (Cont'd)

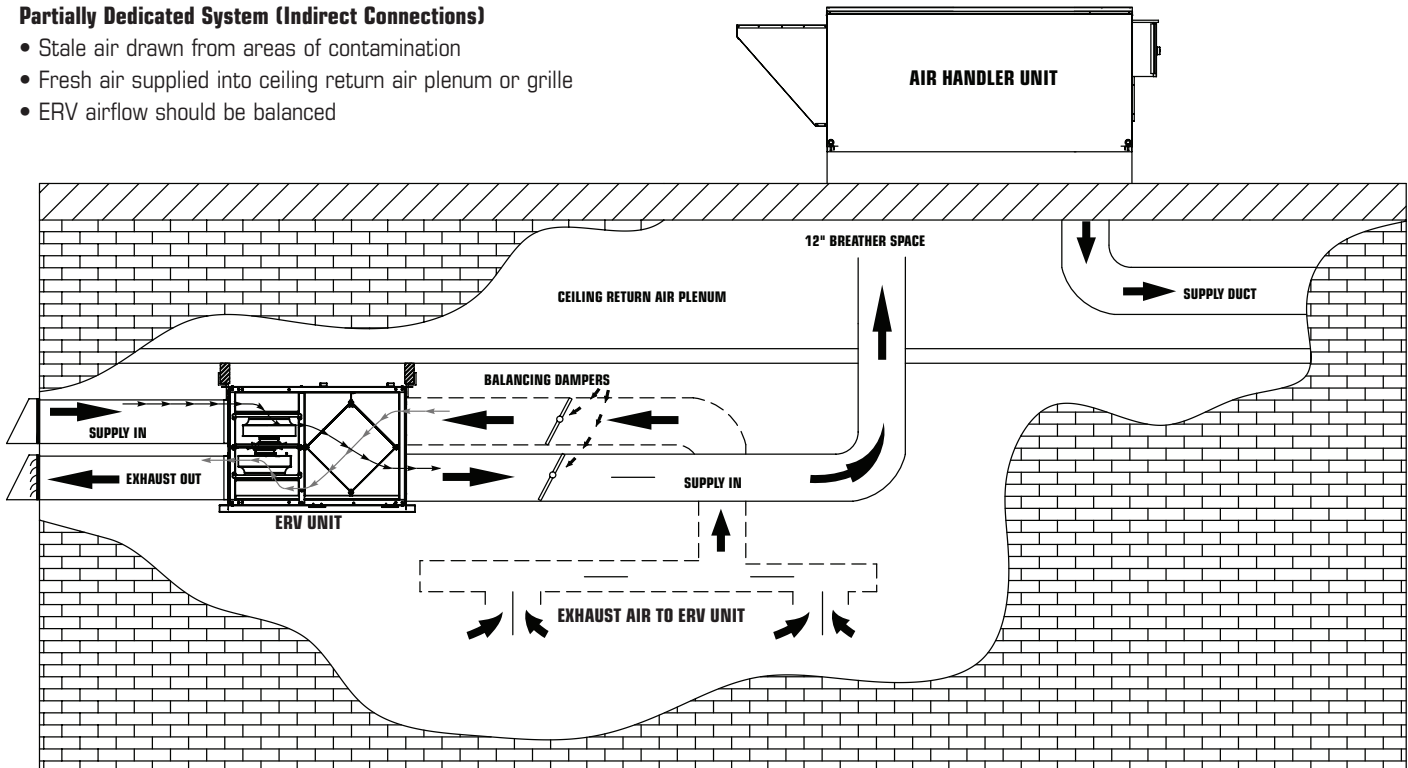


* Drawings are illustrations only and actual port locations and airflow directions may vary, consult unit spec sheets.

It is the responsibility of the installer to ensure all ductwork is sized and installed as designed to ensure the system will perform as intended. The amount of air (CFM) that an ERV will deliver is directly related to the total external static pressure (E.S.P.) of the system. Static pressure is a measure of resistance imposed on the blower by length of duct work/number of fittings used in duct work, duct heater etc.

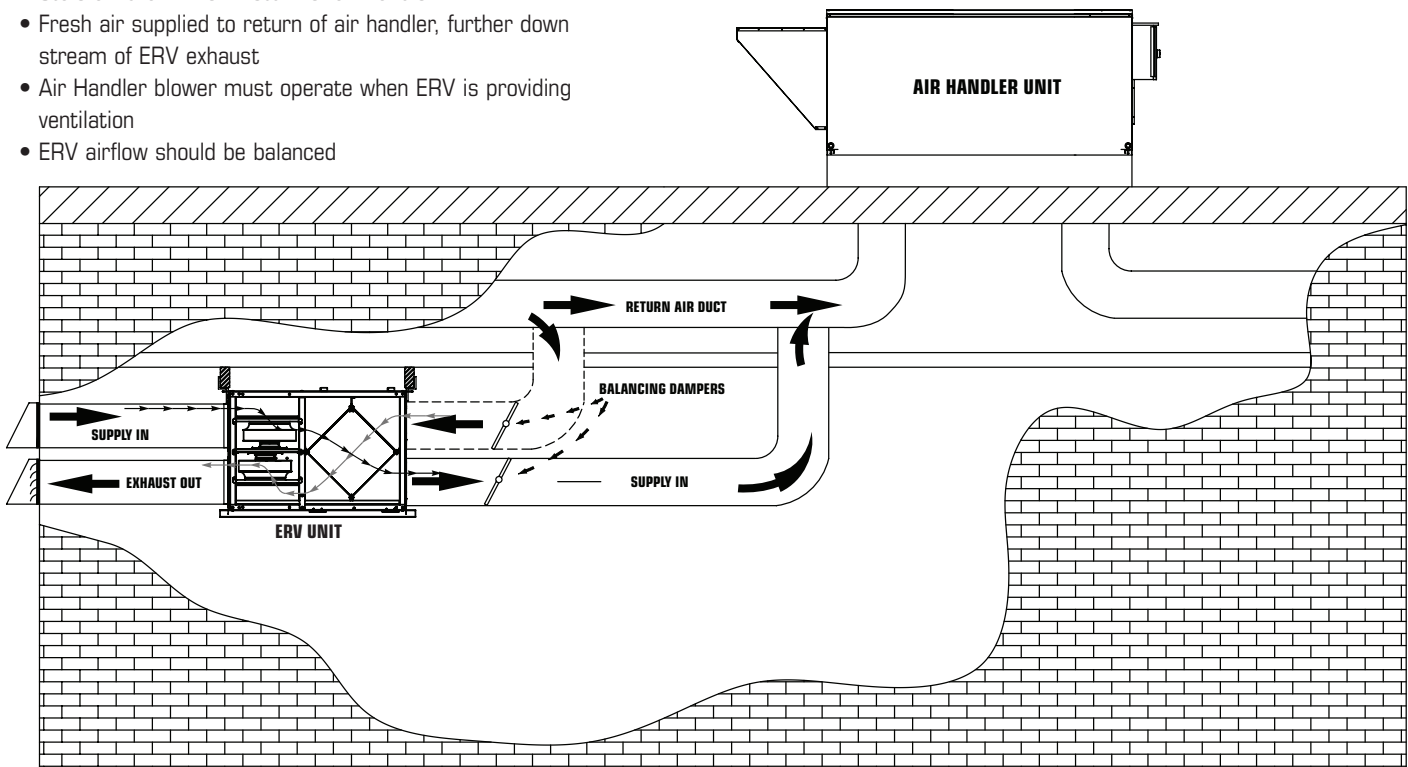
Partially Dedicated System (Indirect Connections)

- Stale air drawn from areas of contamination
- Fresh air supplied into ceiling return air plenum or grille
- ERV airflow should be balanced



Simplified Installation

- Stale air drawn from return of air handler
- Fresh air supplied to return of air handler, further down stream of ERV exhaust
- Air Handler blower must operate when ERV is providing ventilation
- ERV airflow should be balanced



Modes of operation

1. Continuous / Ventilation Mode

In this mode of operation both fans are operating and exchanging inside air for outside air. The energy recovery ventilator (ERV) will operate at the selected rate, either at low or medium speed, and switches to high speed when activated by an optional remote control. The "LOW (reduced)" and "HIGH (Normal)" fan speed selection will cause the unit to operate in continuous ventilation mode at a reduced exchange rate. Continuous mode is recommended, since pollutants are slowly but constantly being generated in a building.

2. Intermittent / Standby Mode

The system is always on standby and operates at high speed when activated by an optional remote control (required): "Standby" should be selected if the user wishes to stop the unit from continuous exchange.

3. Defrost by evacuation

A preset defrost sequence is activated at an outdoor air temperature of 23°F (-5°C) and lower.

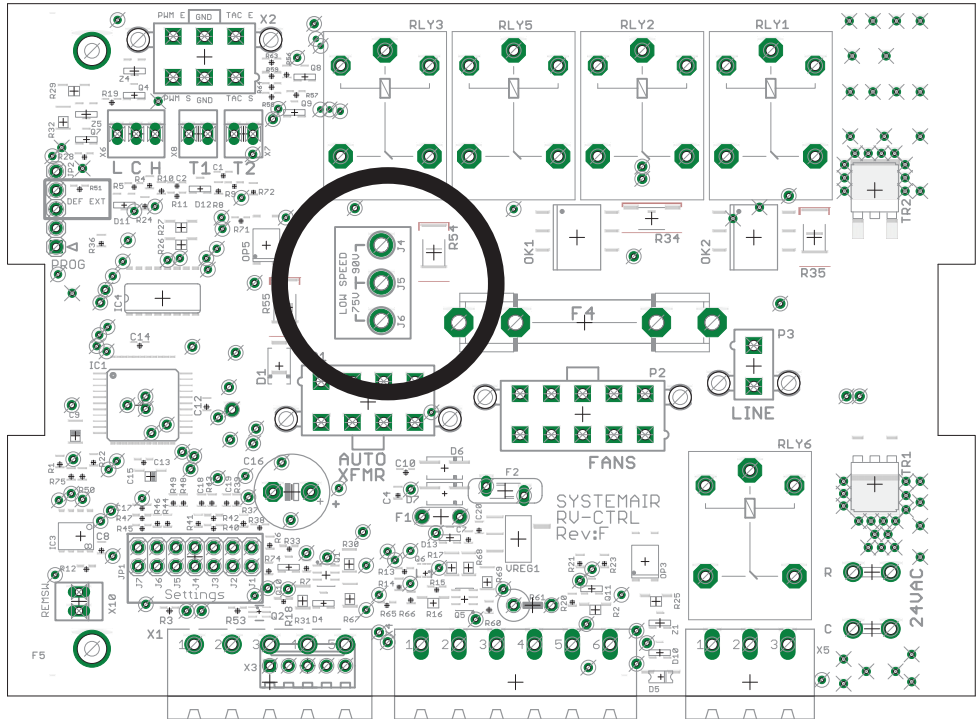
During the defrost sequence, the supply blower shuts down & the exhaust blower continues to ventilate for a preset time. The unit then returns to the normal operation, and continues the cycle.

Setting low speed (SER 1100 and SER 1300)

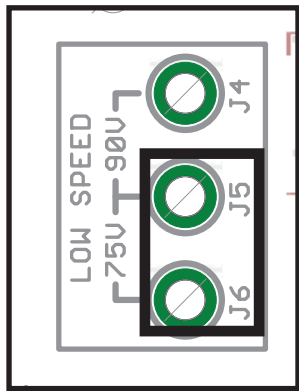
! CAUTION MAKE SURE THE POWER TO THE UNIT IS DISCONNECTED BEFORE MAKING ANY CHANGES

The ERV is shipped from the factory on low speed, intermittent operation can be obtained by toggling switch located on outside of cabinet.

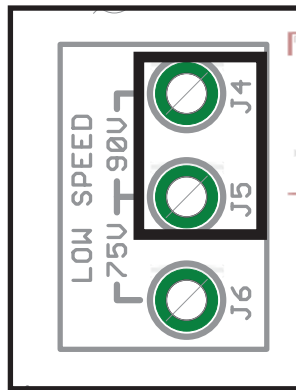
The voltage selection for low (reduced) speed of the unit is done via jumpers shown in the illustration below. The default setting 75V.



Configurable speed control for low (reduced) speed



Low: 75V
(Factory Default)



Low: 90V

WALL CONTROLS

* Please see instruction manuals for individual controls for proper wiring and set up of control systems.



1. Ensure that unit is not plugged when connecting the control
2. Recirculation mode is only available with the Flex100H ES, HERO series and the models with the "R" suffix at the end of the model number.



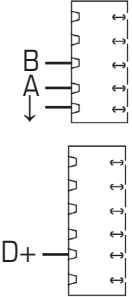



The wiring connectors can be removed for easier connection.


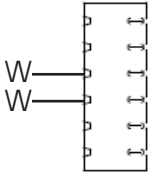

CENTRAL CONTROLS

These cannot be used with another central control

*Maintain polarity between control and HRV (+ → + ; - → -)




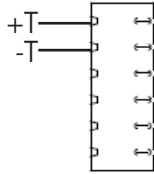

ECO SERIES*	FEATURES	CONNECT TO
<p>ECO-Touch®</p> 	<ul style="list-style-type: none"> • Our most complete, yet easy-to-use control system • Sleek design with backlight touchscreen LCD • ECO mode selects the best operating mode and speed for the season, minimizing energy use associated with ventilation • Set preferred indoor relative humidity range and ventilation mode for day and night conditions • No battery to replace, all programmed settings are retained during power outages • Maintenance reminder indicator • Error code messages reduce troubleshooting time 	
<p>ECO-Touch^{IAQ}</p> 	<ul style="list-style-type: none"> • Integrated VOC Sensor • Our most complete, yet easy-to-use control system • Sleek design with backlight touchscreen LCD • ECO mode selects the best operating mode and speed for the season, minimizing energy use associated with ventilation • Set preferred indoor relative humidity range and ventilation mode for day and night conditions • No battery to replace, all programmed settings are retained during power outages • Maintenance reminder indicator • Error code messages reduce troubleshooting time 	
<p>ECO-Feel</p> 	<ul style="list-style-type: none"> • ECO mode selects the best operating mode and speed for the season, minimizing energy use associated with ventilation • Integrated VOC Sensor • No battery to replace, all programmed settings are retained during power outages 	


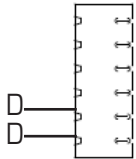
WALL CONTROLS (CONT'D)

EDF SERIES	FEATURES	CONNECTS TO
EDF7 	<ul style="list-style-type: none"> • MODE button provides 3 modes of operations: Ventilation , Recirculation and Standby • User selected fan speed: Reduced, Medium, Normal and 20 minutes per hour • AUTO setting allows the homeowner to deactivate the dehumidistat • When the humidity exceeds the desired setpoint, the ventilation system operates at normal speed • Once the desired humidity level is achieved, your ventilation system resumes to its previous mode of operation. 	
EDF1 	<ul style="list-style-type: none"> • Press button once for continuous Reduced speed • Press button twice and the unit will cycle 20 minutes ON/ 40 minutes OFF and repeat • EDF1 – Press button a third time and the system will run continuously on HIGH speed 	

AUXILIARY CONTROL –These controls can be paired with central controls or combined together.

*Maintain polarity between control and HRV (+ → + ; - → -)

RTS SERIES	FEATURES	CONNECTS TO
	<ul style="list-style-type: none"> • Wireless timer • Can only be paired with the ECO-Touch^{IAQ} • 20/40/60 minute timer with LED light • Boosts system to high speed with the touch of a button • Up to 5 can be used in one system • Use in bathroom, kitchen, laundry room 	Connects wirelessly to the 
RTS2* 	<ul style="list-style-type: none"> • 20- minute timer with LED light • Boosts system to high speed with the touch of a button • Up to 5 can be used in one system • Use in bathroom, kitchen, laundry room 	
RTS5* 	<ul style="list-style-type: none"> • 20/40/60 minute timer with LED light • Boosts system to high speed with the touch of a button • Up to 5 can be used in one system • Use in bathroom, kitchen, laundry room 	

MDEH SERIES	FEATURES	CONNECT TO
MDEH1 	<ul style="list-style-type: none"> • Rotary dial Dehumidistat • Multiple units can be used • We recommend setting the relative humidity above 80% during the summer 	

Maintenance

! **CAUTION** MAKE SURE UNIT IS UNPLUGGED BEFORE ATTEMPTING ANY MAINTENANCE WORK

The following components should also be inspected regularly and well maintained.

The motor - The motors are factory balanced and lubricated for life. They require no maintenance.

The unit - The inside of the unit should be wiped clean as needed.

Outside hoods - The outside hoods need to be checked every season to make sure there are no leaves or insects blocking the airflow. Check regularly that there are no pollutants near the intake hood. Make sure they are clear of any snow accumulation during the winter months.

Filters

The filters need to be checked and cleaned once a month or when they appear dirty.

ERV Core

Clean core on an average every 3-6 months or as needed.

1. Remove access doors and filters
2. Remove the core from the unit.
3. With one of the core's inlet facing down, place it in a large sink, bathtub, or shower.
4. Pour clean tap water through the face of the core facing upward until it runs clear. Ensure the entire surface is rinsed.
5. Rotate the core so that its other air inlet is facing down and repeat step 4.
6. With the plates still oriented vertically allow the core to dry, normally 2-3 hours.

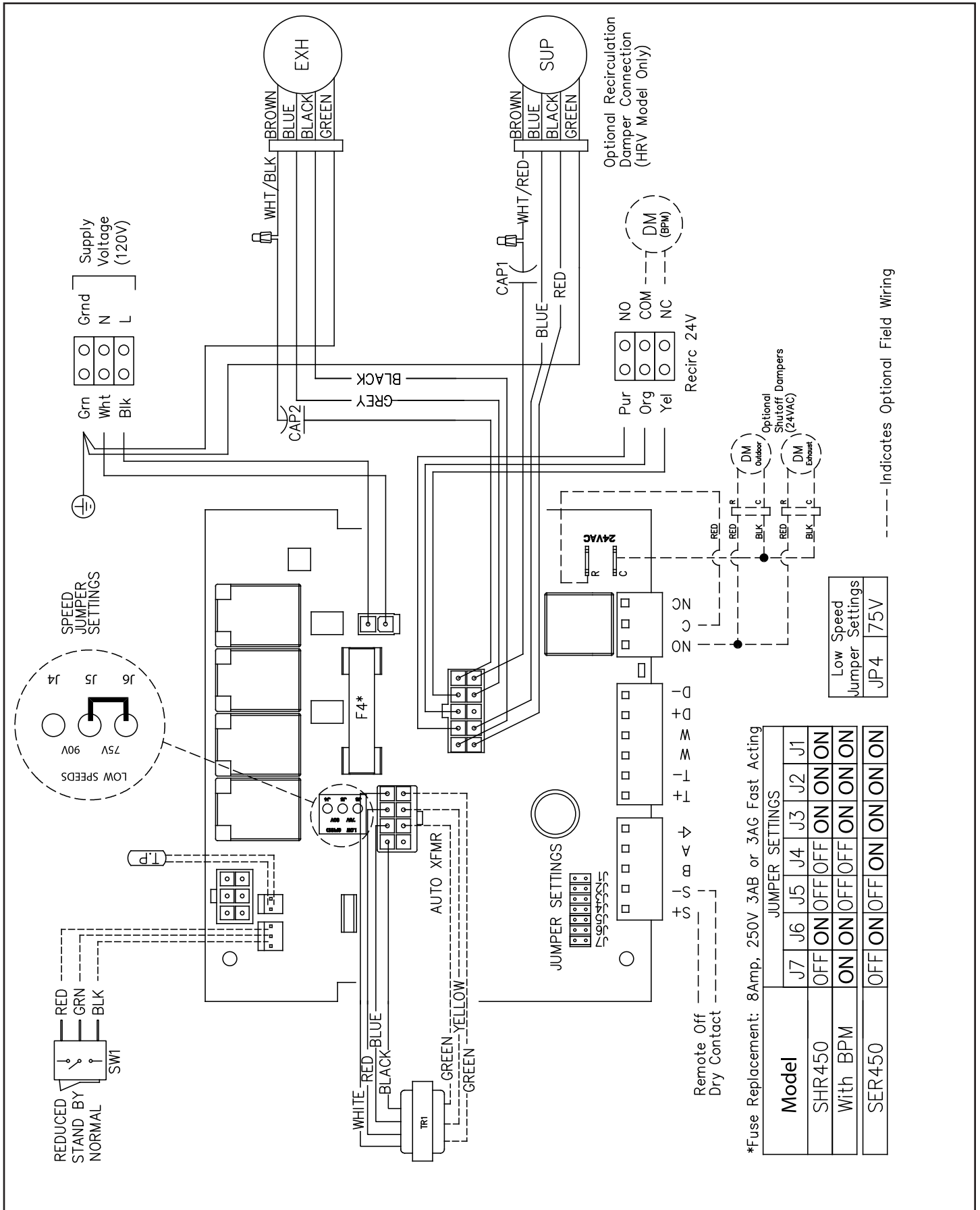
 Core installation label on the outer end of the core.



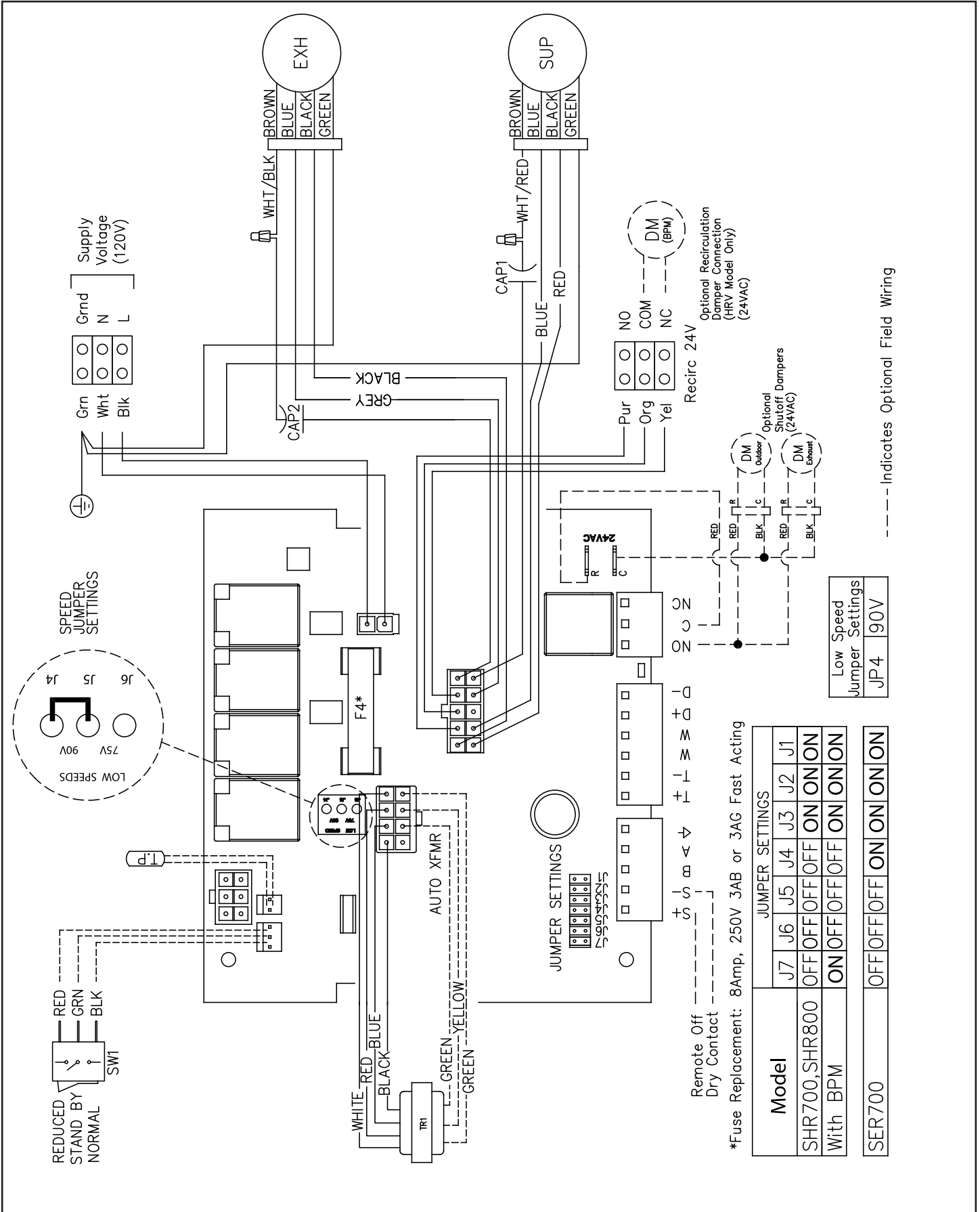
To install the clean Core and Filters.

- a) First mount the bottom flange of the core guide into the bottom channel approximately 1/4" (6mm)
- b) Mount the left or right side flange of the core guide approximately 1/4" (6mm) followed by the other side
- c) Mount the top flange of the core guide into the top channel approximately 1/4" (6mm)
- d) With all four corners in place and the core straight and even, push hard in the centre of the core until the core stops on the back of the cabinet.

Wiring Diagram - SER 450



Wiring Diagram - SER 700



REDUCED STAND BY NORMAL
SW1

LOW SPEEDS
75V 90V
SPEED JUMPER SETTINGS

WHITE-RED-BLUE
BLACK
GREEN-YELLOW
GREEN
TR1
AUTO XFMR

JUMPER SETTINGS
5 9 6 3 2 5

Remote Off Dry Contact
*Fuse Replacement: 8Amp, 250V 3AB or 3AG Fast Acting

Model	JUMPER SETTINGS						
	J7	J6	J5	J4	J3	J2	J1
SHR700, SHR800	OFF	OFF	OFF	OFF	ON	ON	ON
With BPM	ON	OFF	OFF	OFF	ON	ON	ON
SER700	OFF	OFF	OFF	ON	ON	ON	ON

Low Speed Jumper Settings	
J4	90V

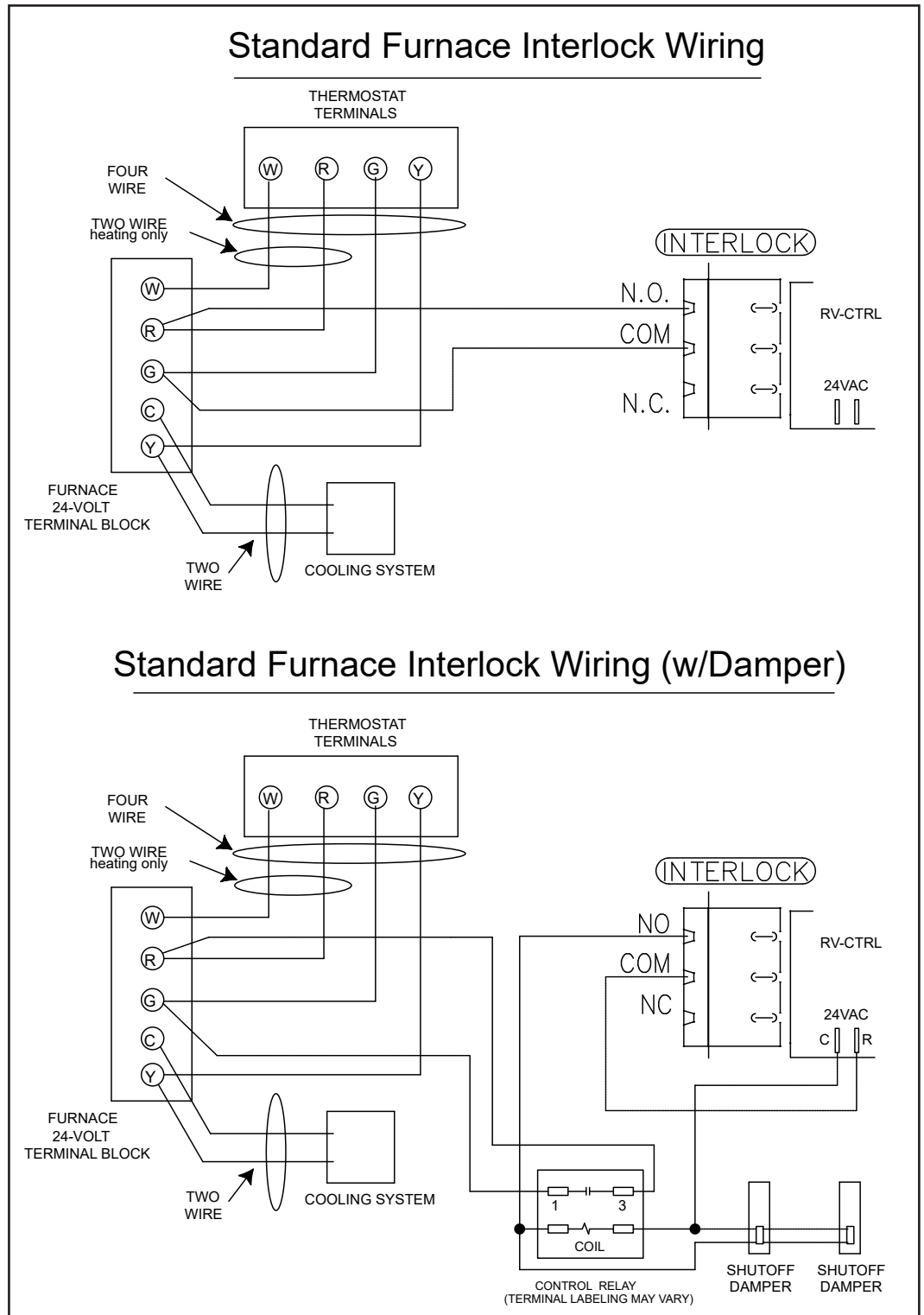
--- Indicates Optional Field Wiring

WIRING DIAGRAM (CONT'D)

WIRING DIAGRAM TO FURNACE



FOR A FURNACE CONNECTION TO A COOLING SYSTEM:



As per building codes and installation requirements for combustion appliances: Air return ducts, or openings for air return, should not be placed in enclosed spaces containing combustion appliances that are subject to spillage.

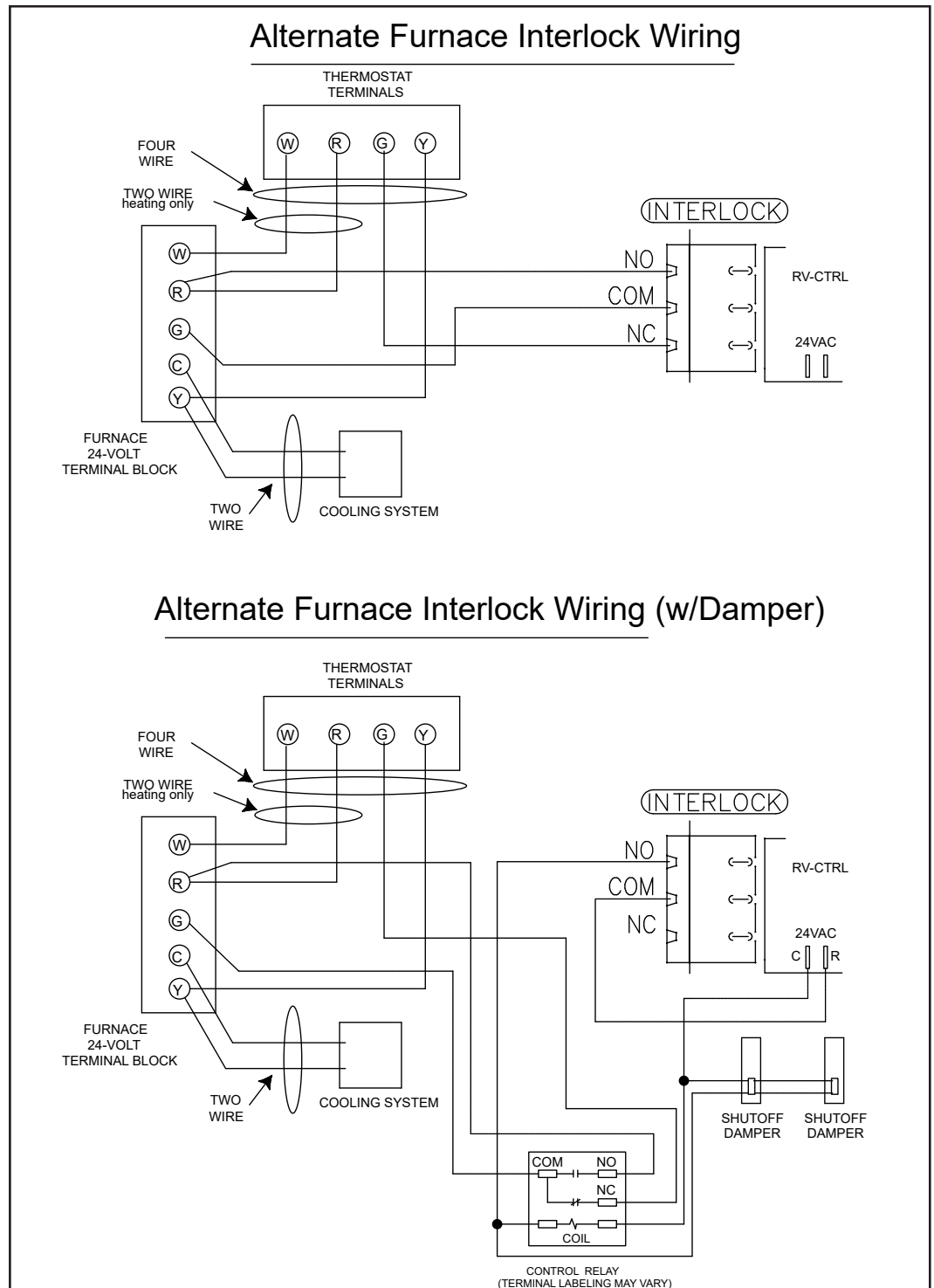
WIRING DIAGRAM (CONT'D)

WIRING DIAGRAM TO FURNACE



ALTERNATE FURNACE CONNECTION:

On some newer furnaces and older thermostats, energizing the R and G terminal at the furnace has the effect of energizing the Y at the thermostat and thereby turning on the cooling system. If you identify this type of thermostat, you must use the "Alternate Furnace Interlock Wiring"



As per building codes and installation requirements for combustion appliances:
Air return ducts, or openings for air return, should not be placed in enclosed spaces containing combustion appliances that are subject to spillage.

Installation Verification Test

SER 450, SER 700, SER 1100, SER 1300 Models

Without external control

1. Fan speed selector switch
 - Set fan Speed selector switch to Standby.
2. Start-up
 - Apply power to unit
 - Unit should enter **Exhaust only defrost** mode for a 10 second duration and the following should occur:
 - Exhaust fan runs in HIGH (Normal) speed
 - Supply fan remains off
3. Standby
 - Following the start-up unit should enter **Standby** mode. The following should occur:
 - Exhaust fan shuts off
 - Supply fan remains off
4. LOW (Reduced) speed
 - Set fans speed selector switch LOW (Reduced) speed. The following should occur:
 - Exhaust fan runs in LOW (Reduced) speed
 - Supply fan runs in LOW (Reduced) speed
5. HIGH (Normal) speed
 - Set fans speed selector switch HIGH (Normal) speed. The following should occur:
 - Exhaust fan ramps up to HIGH (Normal) speed
 - Supply fan ramps up to HIGH (Normal) speed
6. Test completion
 - Set fan speed selector switch to desired setting
 - Installation Verification test is complete

With external control

1. Start-up
 - Apply power to unit
 - Unit should enter **Exhaust only defrost** mode for a 10 second duration and the following should occur:
 - Exhaust fan runs in HIGH (Normal) speed
 - Supply fan remains off
2.
 - Following start-up unit will respond to external control
 - Consult user manual/instruction provided with external controller and ensure unit responds appropriately.
3. Test completion
 - Installation Verification test is complete

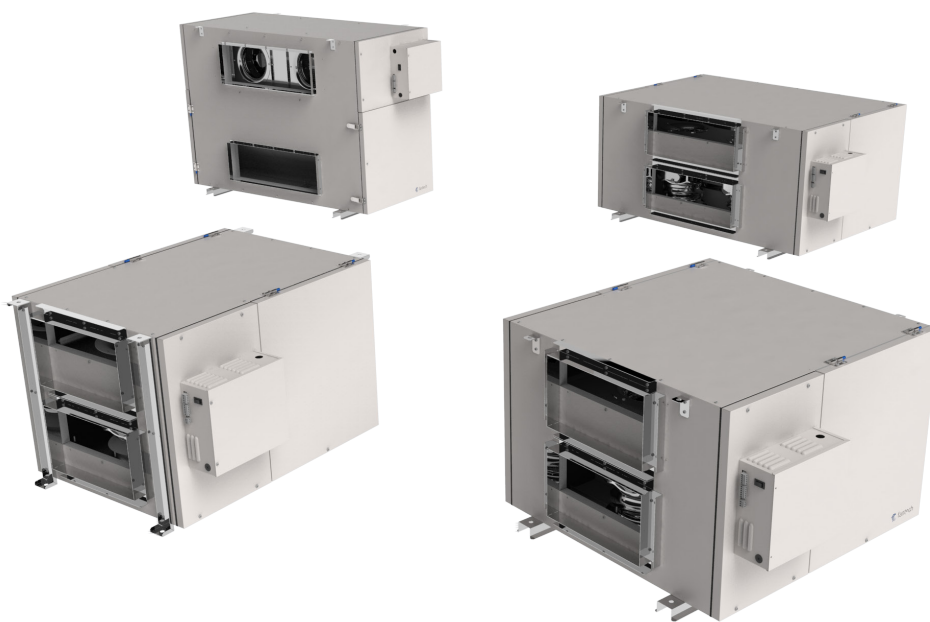
Limited Warranty

- 3 Year Warranty.
 - Fantech ERV's have a warranty that is limited to 3 years on all parts from the date of purchase, including parts replaced during this time period. If there is no proof of purchase available, the date associated with the serial number will be used for the beginning of the warranty period.
 - The motors found in all Fantech ERVs require no lubrication, and are factory balanced to prevent vibration and promote silent operation.
 - The limited warranty covers normal use. It does not apply to any defects, malfunctions or failures as a result of improper installation, abuse, mishandling, misapplication, unfortuitous occurrence or any other circumstances outside Fantech's control.
 - Inappropriate installation or maintenance may result in the cancellation of the warranty.
 - Any unauthorized work will result in the cancellation of the warranty.
 - Fantech is not responsible for any incidental or consequential damages incurred in the use of the ventilation system.
 - Fantech is not responsible for providing an authorized service centre near the purchaser or in the general area.
 - Fantech reserves the right to supply refurbished parts as replacements.
 - Transportation, removal and installation fees are the responsibility of the purchaser.
 - The purchaser is responsible to adhering to all codes in effect in his area.
- * This warranty is the exclusive and only warranty in effect relative to the ventilation system and all other warranties either expressed or implied are invalid.

Manuel d'installation

Commerciaux

Ventilateur récupérateur d'énergie



SER 450 • SER 700 • SER 1100 • SER 1300

Votre système de ventilation doit être installé conformément aux exigences de la province où vous habitez ou, à défaut de telles exigences, conformément à l'édition actuelle du Code national du bâtiment du Canada ou aux « méthodes d'ingénierie appropriées » de l'ASHRAE.

États-Unis

10048 Industrial Blvd., Lenexa, KS, 66215
Tél.: 800.747.1762 • Fax: 800.487.9915

Canada






50 Kanalfakt Way, Bouctouche, NB, E4S 3M5
Tél.: 800.565.3548 • Fax: 877.747.8116

Fantech se réserve le droit de modifier partiellement ou entièrement, en tout moment et sans préavis, les caractéristiques, la conception, les composants et les spécifications de ses produits, afin de conserver sa position de leader de technologie.

S'il vous plaît visitez notre site www.fantech.net pour des informations techniques plus détaillées.



fantech®
une compagnie de Systemair

				
Note	Avertissement/ Note importante	Information	Information technique	Conseil pratique



VEUILLEZ LIRE ET CONSERVER CES INSTRUCTIONS

Avant de procéder à l'installation, examinez avec soin la façon dont le système fonctionnera s'il est relié à tout autre appareil mécanique, notamment une fournaise à air pulsé ou un appareil de traitement d'air dont la pression statique est plus élevée. Une fois l'installation terminée, la compatibilité des deux appareils doit être confirmée en mesurant le débit d'air du ventilateur récupérateur d'énergie (VRE) au moyen de la procédure d'équilibrage du présent manuel. Il importe de toujours évaluer l'interaction du VRE avec les appareils de chauffage à évacuation (fournaise à gaz, fournaise à mazout, poêle à bois, etc.)

Ne jamais installer un ventilateur dans une situation où son fonctionnement normal, le manque de fonctionnement ou une panne partielle pourrait entraîner un refoulement ou un mauvais fonctionnement des appareils de combustion ventilés!



Les produits sont conçus et fabriqués pour fournir une performance fiable, mais ils ne sont pas garantis à 100% sans défaut. Même les produits ont des pannes occasionnelles et cette possibilité devrait être reconnue par l'utilisateur. Si ces produits sont utilisés dans un système de ventilation qui maintient des fonctions vitales où une défaillance pourrait entraîner des pertes ou des blessures, l'utilisateur doit fournir une ventilation de secours adéquate, une ventilation supplémentaire naturelle, un système d'alarme de défaillance ou d'accepter les risques de pertes ou de blessures.

Votre système de ventilation doit être installé en conformité avec le code du bâtiment local qui est en vigueur, en l'absence de telles exigences, il est recommandé de vérifier auprès des autorités locales ayant juridiction dans votre région avant d'installer ce produit.

Table des matières

INSTALLATION	
Emplacement	26
Configuration des ports	27
Installation des conduits	28
ÉQUILIBRAGE DU DÉBIT D'AIR	29
EXEMPLES D'INSTALLATION	
Système entièrement dédié	30
Système partiellement dédié (connexion directe)	30
Système partiellement dédié (connexion indirecte)	31
Installation simplifié	31
MODES D'OPÉRATION	32
Configurer la vitesse	33
SYSTÈMES DE CONTRÔLE À BASSE TENSION	34
ENTRETIEN	36
CONNEXIONS ÉLECTRIQUES	37
TEST DE VÉRIFICATION DE L'INSTALLATION	42
LISTE DES COMPOSANTES	44

Comprendre les numéros de produit Fantech

SER 700

S = Side Ducting (gaine latérale)

E = ENERGY Recovery (récupérateur d'ÉNERGIE)

R = Remote Control Option (option de commande à distance)

700 = 700pcm @0.4 W.G

Installation

EMPLACEMENT

Le ventilateur-récupérateur d'énergie doit être situé dans un endroit chauffé où il est possible d'en faire l'entretien facilement. Généralement, le ventilateur-récupérateur d'énergie se situe dans la chambre des appareils mécaniques, au-dessus d'un plafond suspendu ou dans un endroit près du mur extérieur où on installera les capots.

On ne recommande habituellement pas les installations dans les greniers en raison des températures extrêmes qu'on peut y retrouver et de la difficulté d'y effectuer l'entretien nécessaire. Si on choisit d'installer l'appareil dans un grenier, on doit prendre des précautions particulières pour s'assurer que celui-ci fonctionnera comme prévu. On pourra protéger l'appareil avec un abri isolé, bâti sur place.

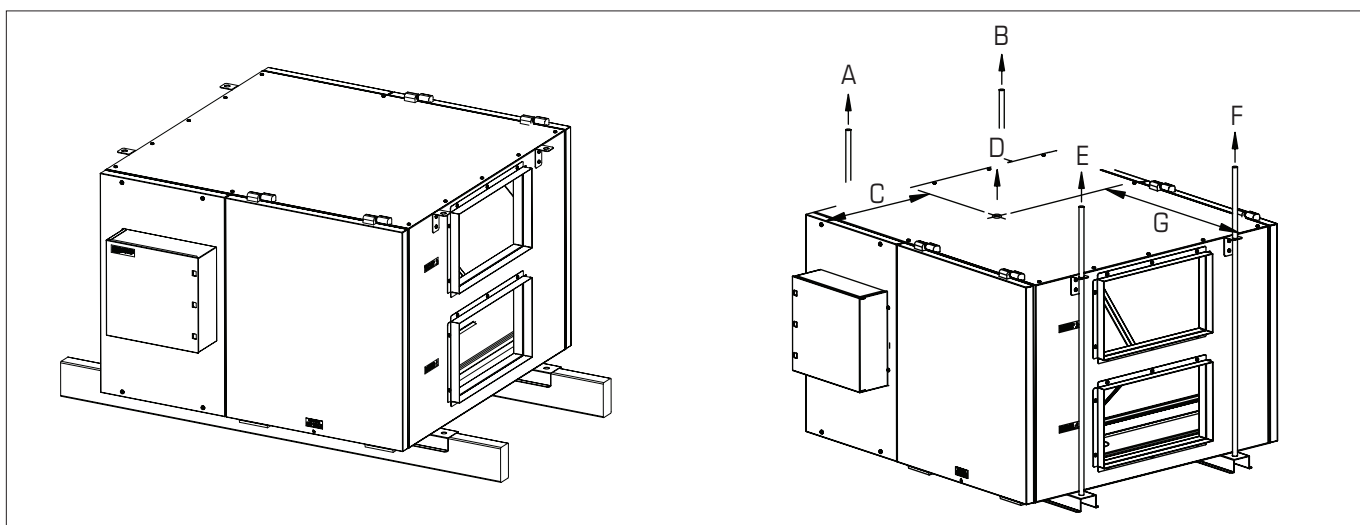
On ne recommande pas de brancher d'autre appareils au ventilateur récupérateur d'énergie, y compris :

- les sècheuses
- les hottes de cuisine
- les appareils d'évacuation des gaz de combustion
- les systèmes centraux d'aspiration

Ces appareils peuvent produire de la poussière, des peluches ou de la graisse qui peuvent s'accumuler dans le ventilateur-récupérateur d'énergie et l'endommager.



Le fait de brancher un de ces types d'appareils au VRE peut annuler la garantie.

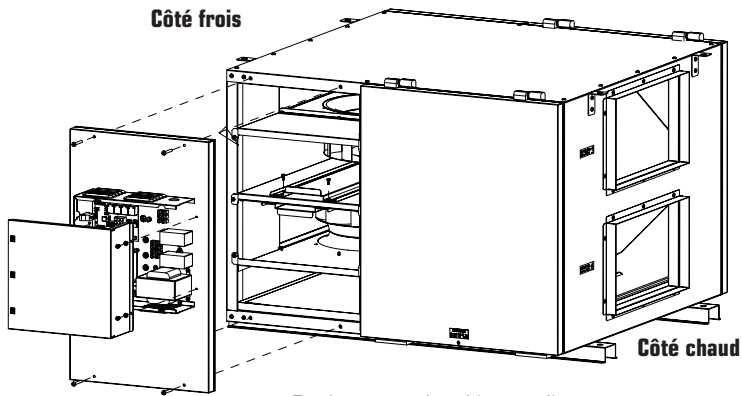


Modèles	A		B		C		D		E		F		G	
	Kg	lbs	Kg	lbs	in.	mm.	Kg	lbs	Kg	lbs	Kg	lbs	in.	mm.
SER 450	16.6	36.6	15.6	34.4	12.6	320	58	127.9	13.6	30	12.7	28	17.6	448
SER 700	21.7	47.8	20.4	44.9	15.4	390	76	168	17.8	39.3	16.6	36.6	17.6	448
SER 1100	27.4	60.5	24.3	53.5	21.4	544	97.5	215	24.7	54.5	21.3	47	18	455
SER 1300	31.4	69.3	25.8	56.9	10	254	102.5	226	26.7	58.9	21.2	46.7	19	483

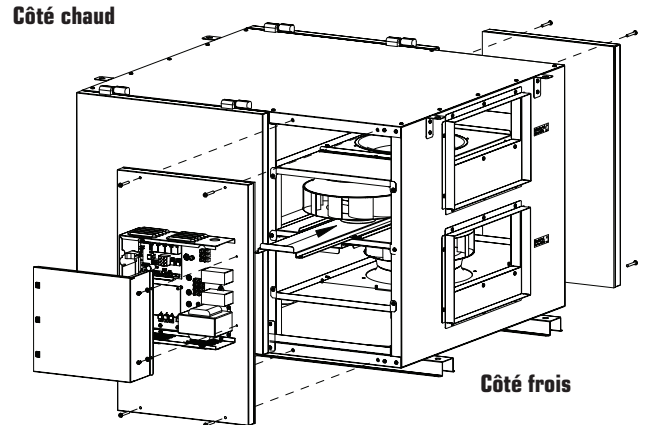
Configuration des ports

L'appareil possède des portes d'accès à l'avant et l'arrière. De plus, on peut déplacer le panneau de commande principal de l'avant vers l'arrière, afin de faciliter la configuration du système de gaines.

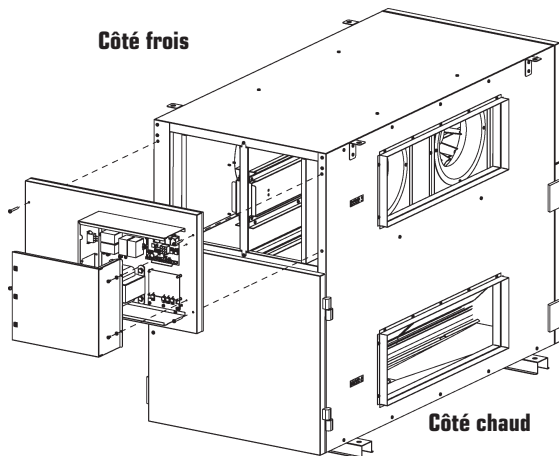
SER 450 / SER 700 / SER 1100



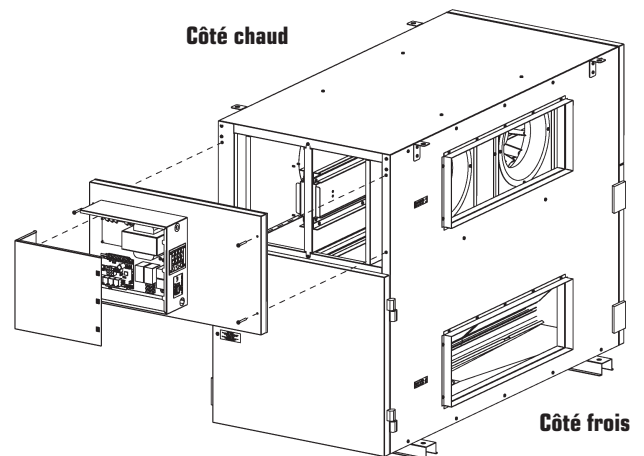
Réglage en usine. L'appareil peut être facilement inversé sur les lieux d'installation.



SER 1300



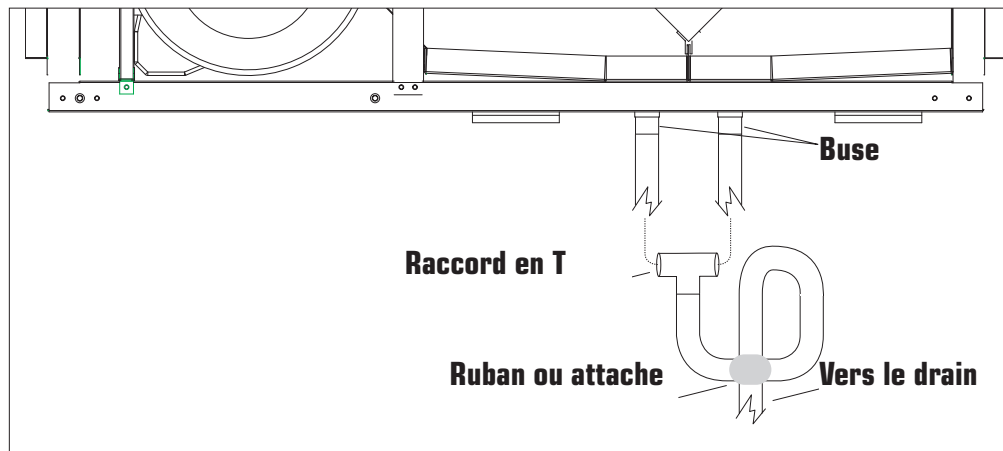
Réglage en usine. L'appareil peut être facilement inversé sur les lieux d'installation.



Installer la conduite de récupération des fluides

Lors de son fonctionnement normal et lorsqu'il est en mode de dégivrage, le VRE peut produire de la condensation. L'eau ainsi produite doit être drainée ou retirée à l'aide d'une pompe à condensats. On doit installer le ventilateur-récupérateur de chaleur et tous les conduits de condensats dans un endroit où on maintient la température au-dessus du point de congélation. On doit former un siphon P dans la conduite de récupération. Cela évitera aux odeurs de retourner dans l'appareil.

Installer le tuyau de vidange en formant un siphon P



Mise en garde:



Un drain et une tubulure (inclus) doivent être installés pour toutes les unités VRC. Pour les unités VRE, le drainage n'est pas requis, cependant, il est recommandé pour les climats où la température extérieure reste généralement inférieure à -25°C (-13°F) combinée à une humidité relative intérieure supérieure à 40% pendant une période de 24 heures ou plusieurs jours d'affilée.

Installation des conduits extérieurs

Installer le système de conduit aux hottes

Hottes extérieurs

Les capots doivent posséder des grillages aviaires intégrés d'au moins 1/4 po (6,35 mm) pour éviter que les oiseaux et les rongeurs n'entrent dans le système de gaines. Ne pas utiliser de grillage plus petit, car il sera plus susceptible de se bloquer. L'emplacement de choix pour les capots est :

- À pas moins de 10 pi (3 m) de distance les uns des autres.
- À au moins 18 po (457,2 mm) de la ligne de neige ou du sol.
- On doit tenir la hotte d'entrée hors de la portée des sources de contamination, comme les fumées d'échappement d'automobile, les compteurs de gaz, les boîtes à ordures, les conteneurs, les tours de réfrigération, les toits en goudron, etc.
- Éviter les vents dominants, lorsque cela est possible.

Le périmètre extérieur du capot doit être scellé pour éviter les fuites dans l'immeuble.

La conception et la taille des capots ou des grilles d'aération choisies par l'installateur doivent prévoir une zone libre adéquate. On évite les infiltrations de neige et d'eau dans le système

Système de conduits à partir des hottes vers et du VRE

On doit utiliser des gaines en feuilles de métal galvanisé possédant suffisamment de coupe transversale conjointement avec une pièce unique et intégrale l'enveloppe isolée pare-vapeur pour raccorder le ventilateur-récupérateur de chaleur aux capots. On peut utiliser des gaines flexibles isolées avec modération, si celles-ci sont dimensionnées et installées correctement. (Se référer aux codes locaux.)

Une valeur minimum de calibre R d'isolation doit être égale à 4 (RSI 0,75), consulter les codes locaux.

On doit sceller toutes les gaines à l'aide d'un boudin généreux de calfeutrant de haute qualité (de préférence un scellant acoustique) et un ruban d'aluminium de haute qualité, ou de tout autre scellant à gaine approuvé.

Installation des conduits intérieurs

Pour maximiser le débit d'air dans le système de gaines, on doit tenir ces dernières courtes et exemptes du plus de coudes possible. Les coudes à 45 degrés sont préférables à ceux à angle droit. Utiliser des raccords en « Y » plutôt que des T, lorsque cela est possible.

On doit fixer tous les joints de gaines à l'aide de vis ou de scellant à gaine et les envelopper d'un ruban à conduits pour éviter les fuites. On recommande le ruban à conduits en aluminium.

Système de conduit d'air frais

Dans les immeubles qui ne possèdent pas de systèmes CVAC à air forcé, l'air frais doit être fourni dans toutes les zones habitables. Celui-ci doit être fourni à partir d'endroits à mur ou plafonds élevés. On recommande des grilles qui diffusent de l'air confortable, par exemple la grille Fantech {MGE (métal)} avec un effet Coanda.

On peut utiliser des chauffe-conduits pour ajouter de la chaleur, si nécessaire.

Raccord direct à la fournaise/ conduit de reprise de l'appareil de traitement de l'air

- Si vous souhaitez raccorder l'air fourni directement à la reprise de l'air froid des systèmes CVAC, ne pas oublier de vérifier l'équilibre du débit d'air du VRE avec les ventilateurs du système CVAC en fonction et à l'arrêt pour déterminer si ce dernier ne déséquilibre pas le VRE de plus de 10 %. Assurez-vous de respecter la distance minimale entre la gaine d'air fournie du VRE et les systèmes CVAC.
- Il peut être nécessaire d'installer un système de gaines d'air fourni distinct si le chauffage provient d'une source autre que de l'air forcé. Lorsqu'on installe un VRE, le concepteur et l'installateur doivent connaître les codes locaux qui peuvent exiger l'installation de détecteurs de fumées et (ou) de pyrostats dans le CVAC ou le système de gaines du VRE

Lors de l'installation d'un VRE, le concepteur et l'installateur doivent être conscients des codes locaux qui peuvent exiger des détecteurs et / ou pyrostats fumée dans le CVAC ou VRE conduits.

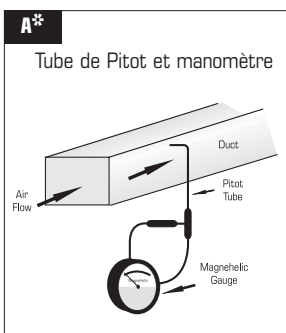
Étant donné que le VRE est conçu pour amener l'air frais dans l'immeuble, les structures pourront nécessiter que l'on interrompe son alimentation lorsque les détecteurs de fumée ou de flammes sont déclenchés ou lorsqu'une alarme de feu centrale est activée.

Système de conduits pour air vicié

On utilise le système d'évacuation de l'air vicié pour aspirer l'air des endroits de l'immeuble où on observe les pires problèmes de qualité de l'air. (Voir les exemples d'installation dans le manuel.)

Équilibrage du débit d'air

- La procédure d'équilibrage consiste à mesurer la quantité d'air d'évacuation qui quitte le système et celle d'air fourni qui y entre et s'assurer qu'elles sont toutes deux égales. Un écart de 10 % ou moins est acceptable.



A On mesure généralement la vitesse du débit d'air de la gaine avec un manomètre Magnehelic et un tube de Pitot.

- Pour éviter la turbulence du débit d'air et des lectures inexactes, on doit mesurer la vitesse du débit d'air sur des gaines d'acier à au moins 3 sections transversales de l'appareil ou du coude et avant tout embranchement.



On doit faire appel à un équilibreur de l'air professionnel pour travailler sur le système de manière adéquate. Un technicien qualifié en CVAC peut terminer l'équilibrage de l'air si celui-ci possède l'équipement nécessaire. Communiquer avec le soutien technique de Fantech pour obtenir de l'aide.

Exemples d'installation

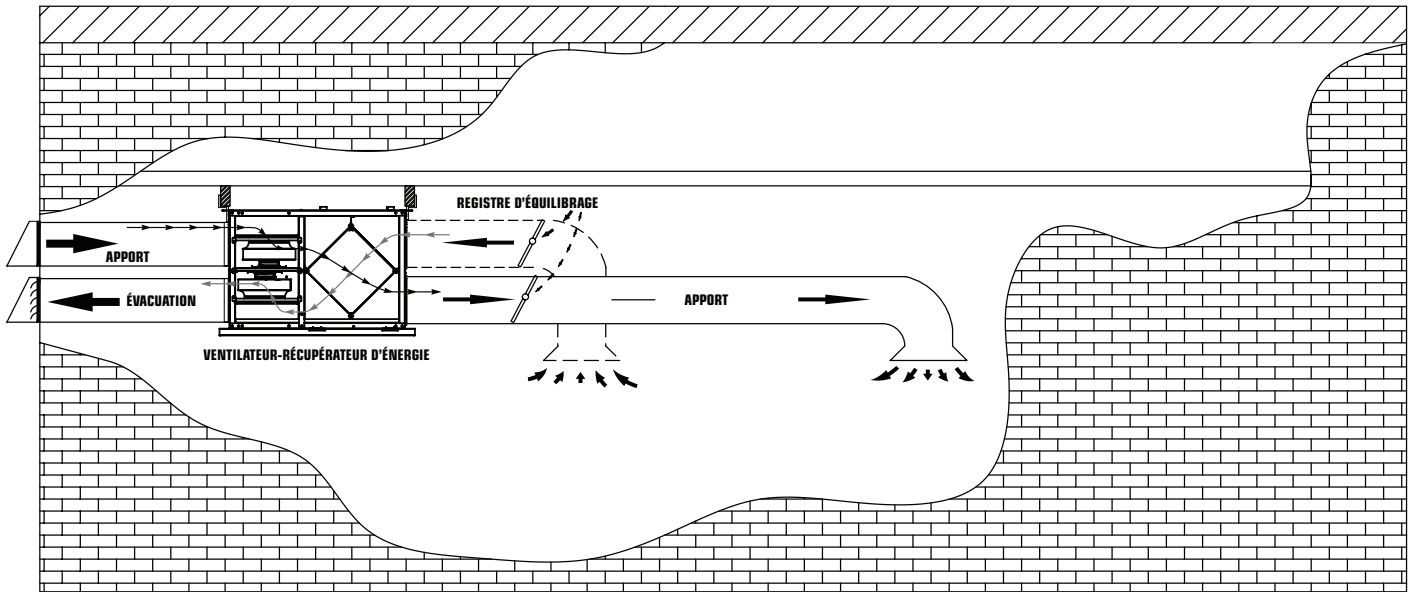


* Les dessins ne sont que des illustrations et les emplacements des entrées réelles et les directions des débits d'air peuvent varier. Consulter les fiches signalétiques des appareils.

L'installateur doit s'assurer d'installer et de dimensionner tous les systèmes de gaines comme indiqué, afin que le système fonctionne comme prévu. La quantité d'air (m³/min) fournie par un ventilateur-récupérateur est directement liée à la pression statique externe totale (PSE) du système. La pression statique est une mesure de la résistance appliquée sur le ventilateur par rapport à la longueur du système de gaines/nombre de raccords utilisés dans le système de gaines, le chauffe-conduit, etc.

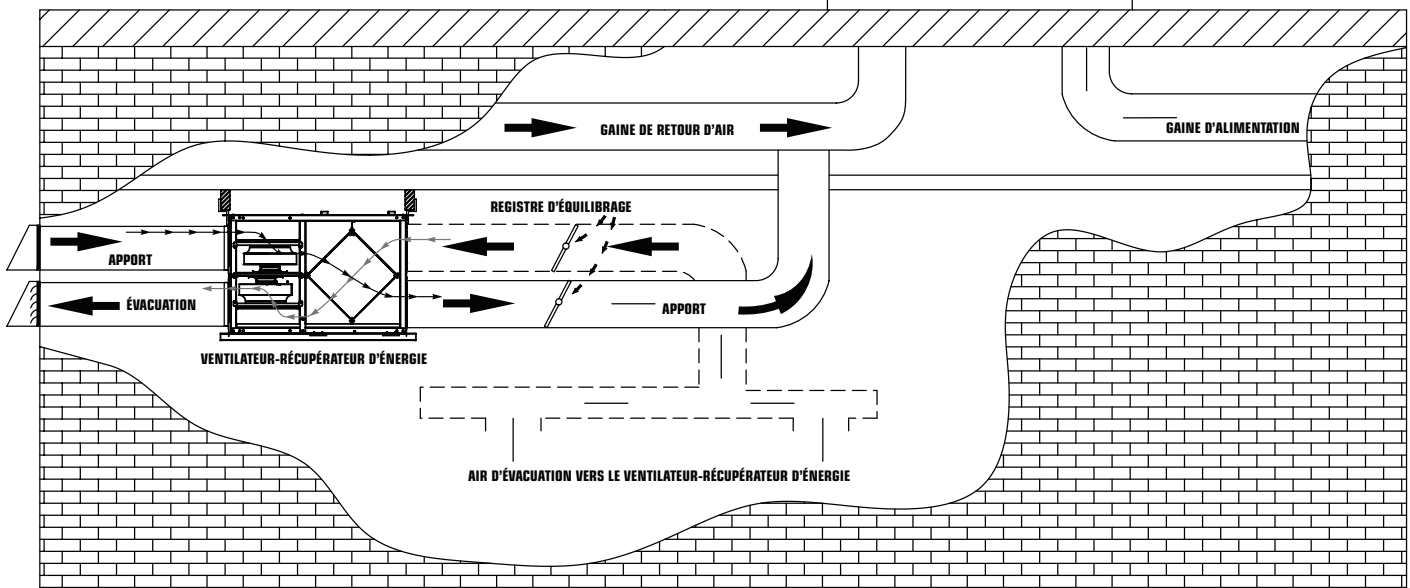
Système entièrement dédié

- Air vicié prélevé dans les zones de contamination
- Air frais fourni aux zones principales
- Le débit d'air du VRE doit être équilibré
- Un serpentin de chauffage ou de refroidissement externe peut être nécessaire si l'air ne peut se mélanger de manière à être confortable.



Système partiellement dédié (connexion directe)

- Air vicié prélevé dans les zones de contamination
- Air frais fourni à la gaine de reprise de l'appareil de traitement de l'air
- Le ventilateur de l'appareil de traitement de l'air peut être sollicité lorsque la ventilation est nécessaire
- Le débit d'air du VRE doit être équilibré



Exemples d'installation (Suite)

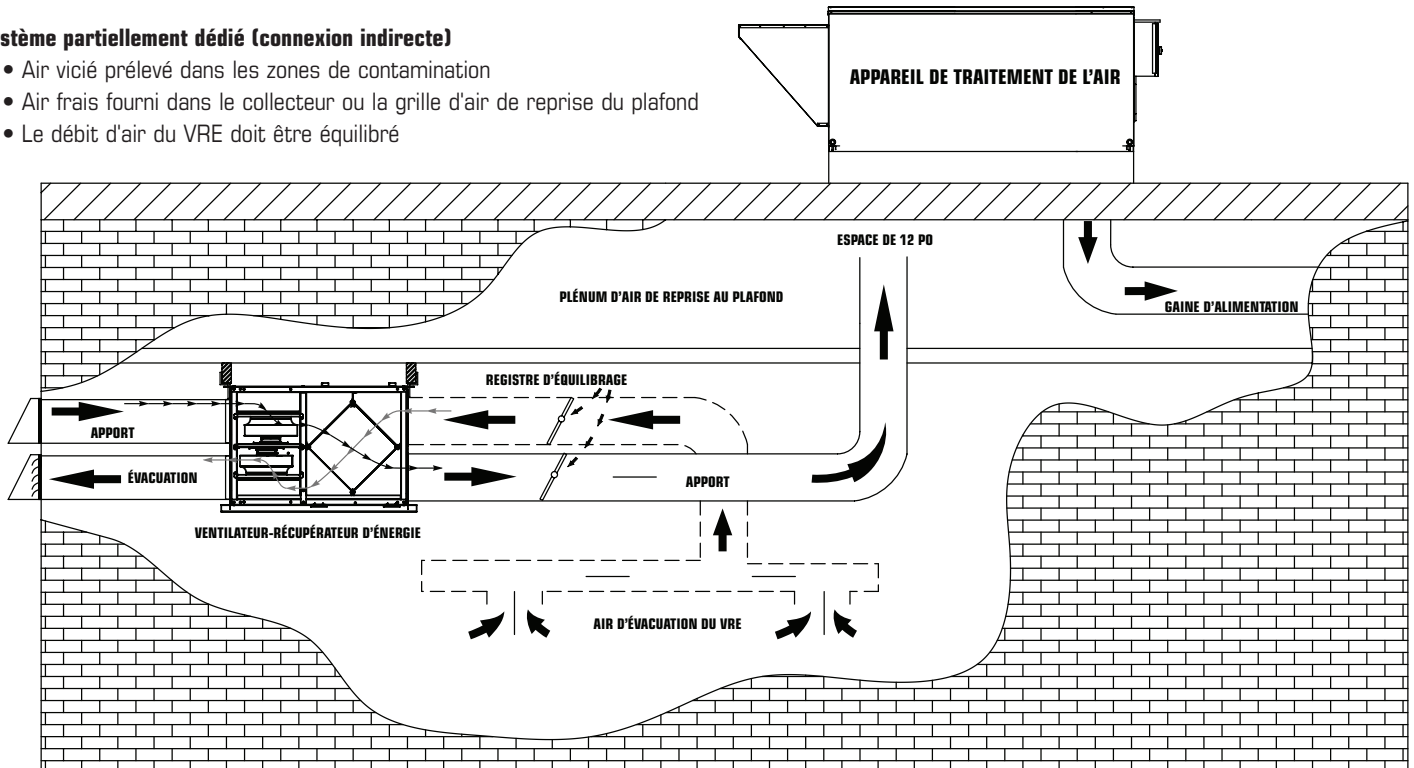


* Les dessins ne sont que des illustrations et les emplacements des entrées réelles et les directions des débits d'air peuvent varier. Consulter les fiches signalétiques des appareils.

L'installateur doit s'assurer d'installer et de dimensionner tous les systèmes de gaines comme indiqué, afin que le système fonctionne comme prévu. La quantité d'air (m³/min) fournie par un ventilateur-récupérateur est directement liée à la pression statique externe totale (PSE) du système. La pression statique est une mesure de la résistance appliquée sur le ventilateur par rapport à la longueur du système de gaines/nombre de raccords utilisés dans le système de gaines, le chauffe-conduit, etc.

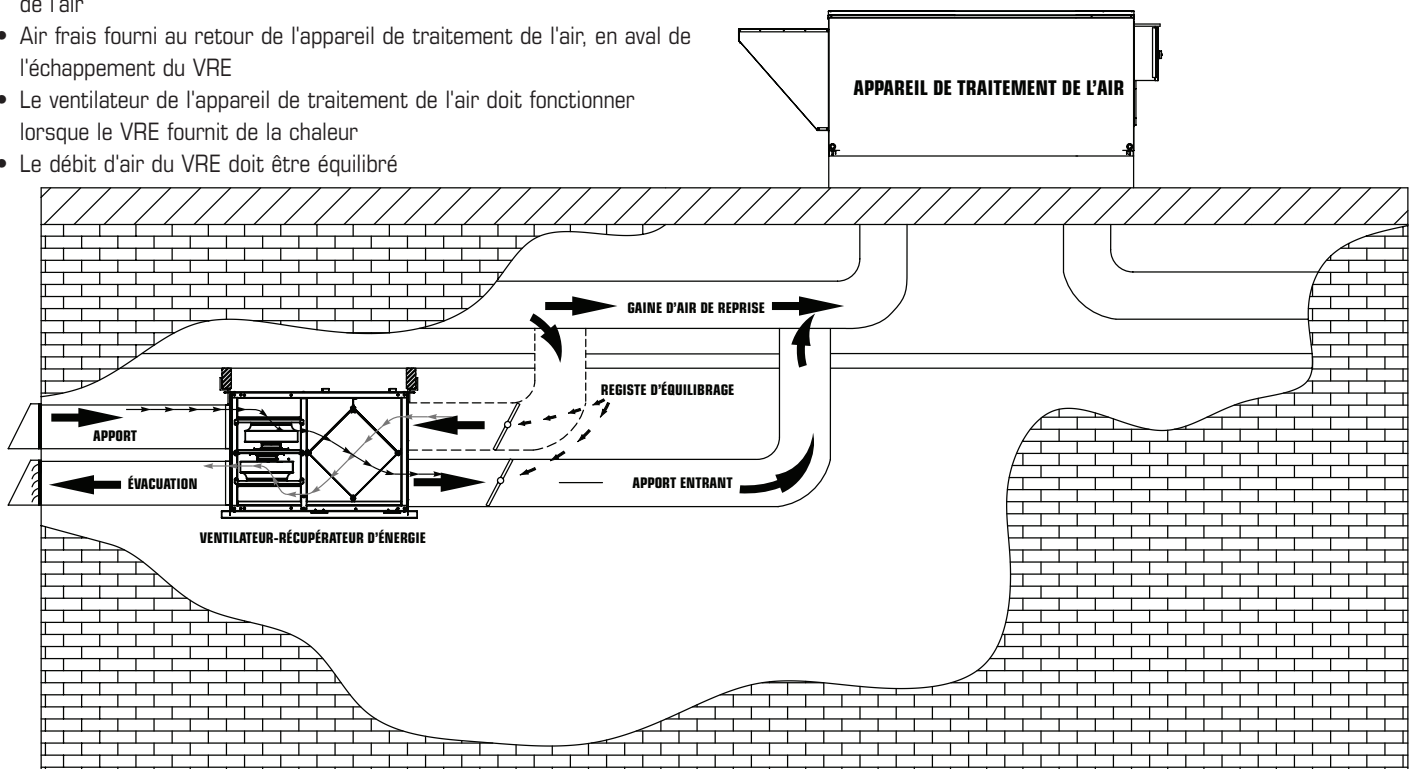
Système partiellement dédié (connexion indirecte)

- Air vicié prélevé dans les zones de contamination
- Air frais fourni dans le collecteur ou la grille d'air de reprise du plafond
- Le débit d'air du VRE doit être équilibré



Installation simplifiée

- L'air vicié est prélevé à partir de la reprise de l'appareil de traitement de l'air
- Air frais fourni au retour de l'appareil de traitement de l'air, en aval de l'échappement du VRE
- Le ventilateur de l'appareil de traitement de l'air doit fonctionner lorsque le VRE fournit de la chaleur
- Le débit d'air du VRE doit être équilibré



Modes d'opération

1. Mode continu / de ventilation

Dans ce mode de fonctionnement, les deux ventilateur fonctionnent et échangent l'air avec l'extérieur. Le ventilateur récupérateur d'énergie (VRE) échange continuellement l'air à la vitesse que vous choisissez, soit à basse ou moyenne vitesse, et passe en haute vitesse lorsqu'il est activé par une télécommande en option. La sélection de la vitesse du ventilateur "LOW (Réduit)" et "HIGH (Normale)" fera fonctionner en mode continu à vitesse réduite. Le mode continu est recommandée, car les polluants sont lentement mais constamment générés dans un bâtiment.

2. Mode intermittent / en attente

Le système est toujours en mode attente et fonctionne à haute vitesse lorsqu'on l'actionne à l'aide d'une commande à distance optionnelle (nécessaire) : on ne doit choisir le mode « en attente » (« Standby ») que si l'utilisateur souhaite arrêter l'échange en continu sur l'appareil.

3. Dégivrage par évacuation

Une séquence de dégivrage prééglée est activée lorsque la température de l'air extérieur atteint 23 °F (-5 °C) et moins.

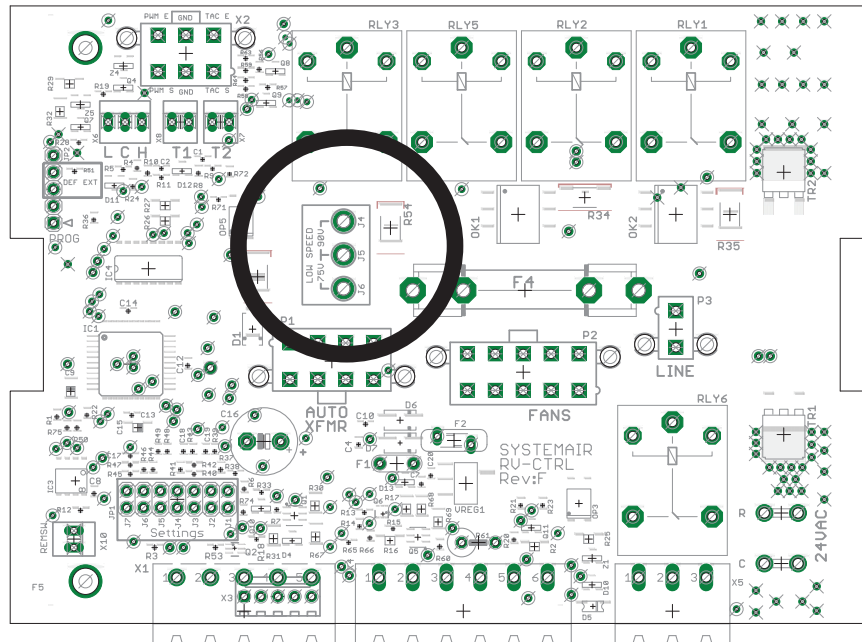
Pendant cette séquence, le ventilateur d'apport cesse de fonctionner et le ventilateur d'évacuation continue de fonctionner pendant une période préétablie. L'appareil retourne ensuite à son fonctionnement habituel et continue le cycle.

Configurer la vitesse (SER 1100 et SER 1300)

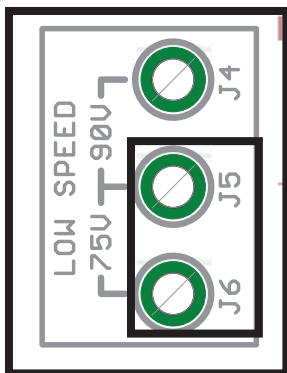
! AVERTISSEMENT ASSUREZ-VOUS QUE L'ALIMENTATION DE L'UNITÉ EST DÉCONNECTÉE AVANT DE FAIRE DES CHANGEMENTS

Le VRE est expédié de l'usine à basse vitesse, un fonctionnement intermittent peut être obtenu par un commutateur de basculement situé à l'extérieur de l'armoire.

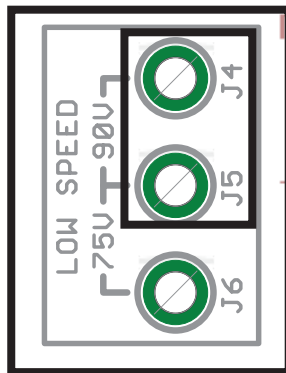
La sélection de la tension pour la basse vitesse (réduite) de l'unité se fait via les cavaliers indiqués dans l'illustration ci-dessous. Le réglage par défaut 75V.



Configurations de vitesse pour la basse vitesse (réduite)



Min: 75V
(Défaut de fabrication)



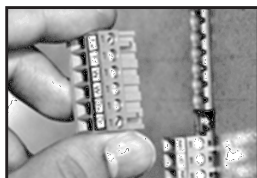
Min: 90V

COMMANDES MURALES

* Veuillez consulter les manuels d'instructions des dispositifs de commande individuels pour connaître la bonne configuration de câblage et l'installation adéquate des systèmes de commande.



1. Assurez-vous que l'appareil n'est pas branché lorsque vous reliez la commande.
2. Le mode de recirculation n'est offert que sur les modèles Flex100H ES, Série HERO et les modèles dont le numéro de modèle comporte le suffixe « R » à la fin.


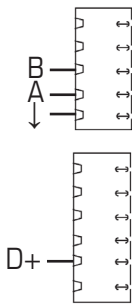




Les raccords de câblage peuvent être retirés pour faciliter le branchement.


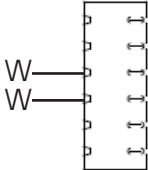

COMMANDES CENTRALES

Ceux-ci ne peuvent pas être utilisés avec une autre commande centrale

*Conserver la polarité entre la commande et le VRC (+ → + ; - → -)




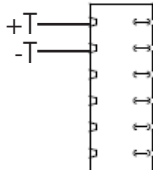

SÉRIE ECO*	CARACTÉRISTIQUES	CONNEXIONS
ECO-Touch® 	<ul style="list-style-type: none"> • Notre système de commande le plus complet, mais toujours convivial. • Modèle élégant avec écran ACL tactile rétroéclairé. • Mode ECO choisissant le mode de fonctionnement et la vitesse optimaux pour la saison, minimisant la consommation énergétique associée à la ventilation. • Réglage de la plage d'humidité intérieure relative et du mode de ventilation favoris pour le jour et la nuit. • Aucune pile à remplacer, tous les réglages programmés sont conservés en cas de panne de courant. • Indicateur de rappel d'entretien. • Messages d'erreur réduisant le temps de dépannage. 	
ECO-TouchIAQ 	<ul style="list-style-type: none"> • Capteur COV intégré • Notre système de commande le plus complet, mais toujours convivial. • Modèle élégant avec écran ACL tactile rétroéclairé. • Mode ECO choisissant le mode de fonctionnement et la vitesse optimaux pour la saison, minimisant la consommation énergétique associée à la ventilation. • Réglage de la plage d'humidité intérieure relative et du mode de ventilation favoris pour le jour et la nuit. • Aucune pile à remplacer, tous les réglages programmés sont conservés en cas de panne de courant. • Indicateur de rappel d'entretien. • Messages d'erreur réduisant le temps de dépannage. 	
ECO-Feel 	<ul style="list-style-type: none"> • Mode ECO choisissant le mode de fonctionnement et la vitesse optimaux pour la saison, minimisant la consommation énergétique associée à la ventilation. • Capteur COV intégré • Aucune pile à remplacer, tous les réglages programmés sont conservés en cas de panne de courant. 	


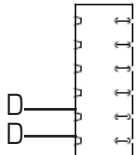
WALL CONTROLS (CONT'D)

SÉRIE EDF	CARACTÉRISTIQUES	RELIER À
EDF7 	<ul style="list-style-type: none"> • BOUTON DE SÉLECTION offrant 3 modes de fonctionnement : ventilation, recirculation et attente. • Vitesse du ventilateur sélectionnée par l'utilisateur : réduite, moyenne, ordinaire et 20 minutes par heure. • Mode AUTO permettant au propriétaire de désactiver le déshumidistat. • Lorsque l'humidité excède le point de fixation désiré, le système de ventilation fonctionne à vitesse ordinaire. • Lorsque le degré d'humidité souhaité est atteint, le système de ventilation retourne au mode de fonctionnement précédent. 	
EDF1 	<ul style="list-style-type: none"> • Appuyez sur le bouton une fois pour une vitesse réduite constante. • Appuyez sur le bouton deux fois, et l'appareil répétera un cycle de fonctionnement de 20 minutes de marche et 40 minutes d'arrêt. • EDF1 – Appuyez sur le bouton une troisième fois, et le système fonctionnera à vitesse ÉLEVÉE de façon continue. 	

COMMANDE AUXILIAIRE – Ces commandes peuvent être associées à des commandes centrales ou combinées ensemble.

*Conserver la polarité entre la commande et le VRC (+ → + ; - → -)

SÉRIE RTS	CARACTÉRISTIQUES	RELIER À
RTS-W 	<ul style="list-style-type: none"> • Minuterie sans fil • Ne peut être jumelé qu'avec l'ECO-Touch^{IAQ} • Minuterie de 20/40/60 minutes avec voyant à DEL. • Fait passer le système à la vitesse élevée à l'aide d'un bouton. • Jusqu'à 5 commandes peuvent être utilisées sur un système. • Pour la salle de bains, la cuisine et la salle de lavage. 	Se connecte sans fil au 
RTS2* 	<ul style="list-style-type: none"> • Minuterie de 20 minutes avec voyant à DEL. • Fait passer le système à la vitesse élevée à l'aide d'un bouton. • Jusqu'à 5 commandes peuvent être utilisées sur un système. • Pour la salle de bains, la cuisine et la salle de lavage. 	
RTS5* 	<ul style="list-style-type: none"> • Minuterie de 20/40/60 minutes avec voyant à DEL. • Fait passer le système à la vitesse élevée à l'aide d'un bouton. • Jusqu'à 5 commandes peuvent être utilisées sur un système. • Pour la salle de bains, la cuisine et la salle de lavage. 	

SÉRIE MDEH	CARACTÉRISTIQUES	RELIER À
MDEH1 	<ul style="list-style-type: none"> • Déshumidistat à molette. • Plusieurs commandes peuvent être utilisées. • Nous recommandons de fixer le taux d'humidité relative au-delà de 80 % l'été. 	

Entretien



AVERTISSEMENT S'ASSURER QUE L'APPAREIL EST DÉBRANCHÉ AVANT D'Y RÉALISER TOUT TRAVAIL D'ENTRETIEN

On doit aussi inspecter les composants suivants régulièrement et les entretenir adéquatement.

Moteur - Les moteurs sont équilibrés en usine et lubrifiés à vie. Ils ne nécessitent aucun entretien

Appareil - On doit nettoyer l'intérieur de l'appareil à l'aide d'un linge, au besoin.

Hottes externes - On doit vérifier les hottes extérieures toutes les saisons pour s'assurer qu'aucune feuille ou qu'aucun insecte ne bloque la circulation d'air. Vérifier régulièrement qu'aucun polluant ne se trouve à proximité de la hotte d'entrée. S'assurer que celle-ci est exempte d'accumulation de neige pendant les mois d'hiver.

Filtres

On doit vérifier et nettoyer les filtres une fois par mois ou lorsqu'ils semblent sales.

Noyau du VRE

Nettoyer le noyau tous les trois à six mois en moyenne, ou au besoin.

1. Enlevez la porte d'accès et retirer les filtres
2. Retirez le noyau de l'unité.
3. Avec l'une des entrées d'air de votre noyau récupérateur d'énergie vers le bas, placez-le dans un grand évier, baignoire ou douche.
4. Versez de l'eau du robinet à travers la face du noyau jusqu'à ce qu'elle soit claire lors de la sortie du noyau. Assurez-vous toute la surface est risée.
5. Faites tourner le noyau de telle sorte que son autre entrée d'air est orientée vers le bas et répétez l'étape 4.
6. Avec les plaques encore orientées verticalement, laissez le noyau sécher jusqu'à 2-3 heures se sont écoulées.



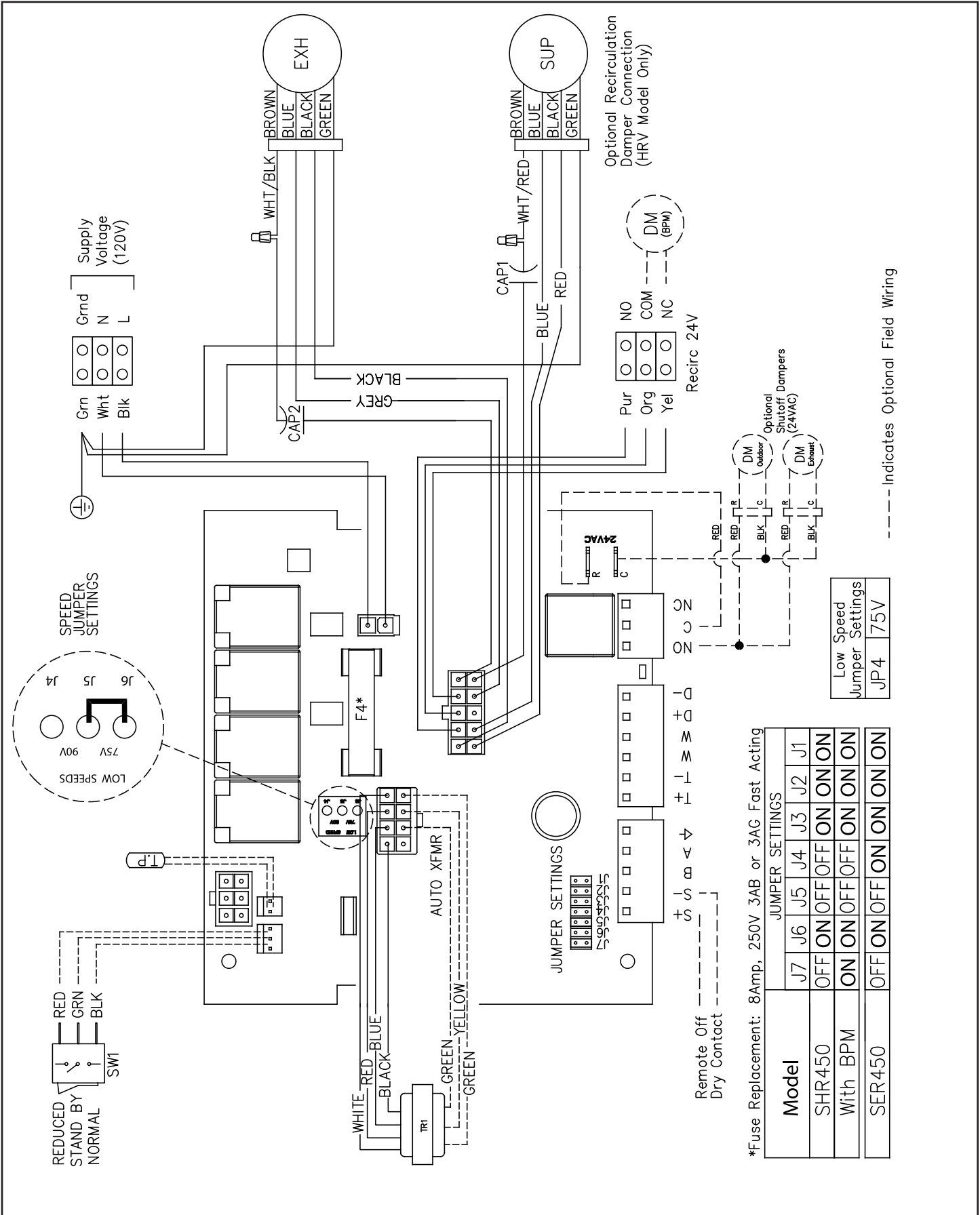
L'étiquette d'installation du noyau se trouve à l'extrémité extérieure de celui-ci.



Pour installer le noyau et les filtres propres.

- a) Installer tout d'abord la bride inférieure du rail du noyau dans le passage inférieur, à environ 1/4 po (6 mm).
- b) Fixer la bride gauche ou droite du rail du noyau à environ 1/4 po (6 mm), suivi de celle de l'autre côté.
- c) Installer la bride supérieure du rail du noyau dans le passage supérieur, à environ 1/4 po (6 mm).
- d) Une fois les quatre coins en place et le noyau droit et équilibré, pousser dans le centre du noyau jusqu'à ce que celui-ci atteigne l'arrière du caisson.

Connexions électriques - SER 450



-----Indicates Optional Field Wiring

*Fuse Replacement: 8Amp, 250V 3AB or 3AG Fast Acting

Model	JUMPER SETTINGS						
	J7	J6	J5	J4	J3	J2	J1
SHR450	OFF	ON	OFF	OFF	ON	ON	ON
With BPM	ON	ON	OFF	OFF	ON	ON	ON
SER450	OFF	ON	OFF	ON	ON	ON	ON

Low Speed Jumper Settings

JP4	75V
-----	-----

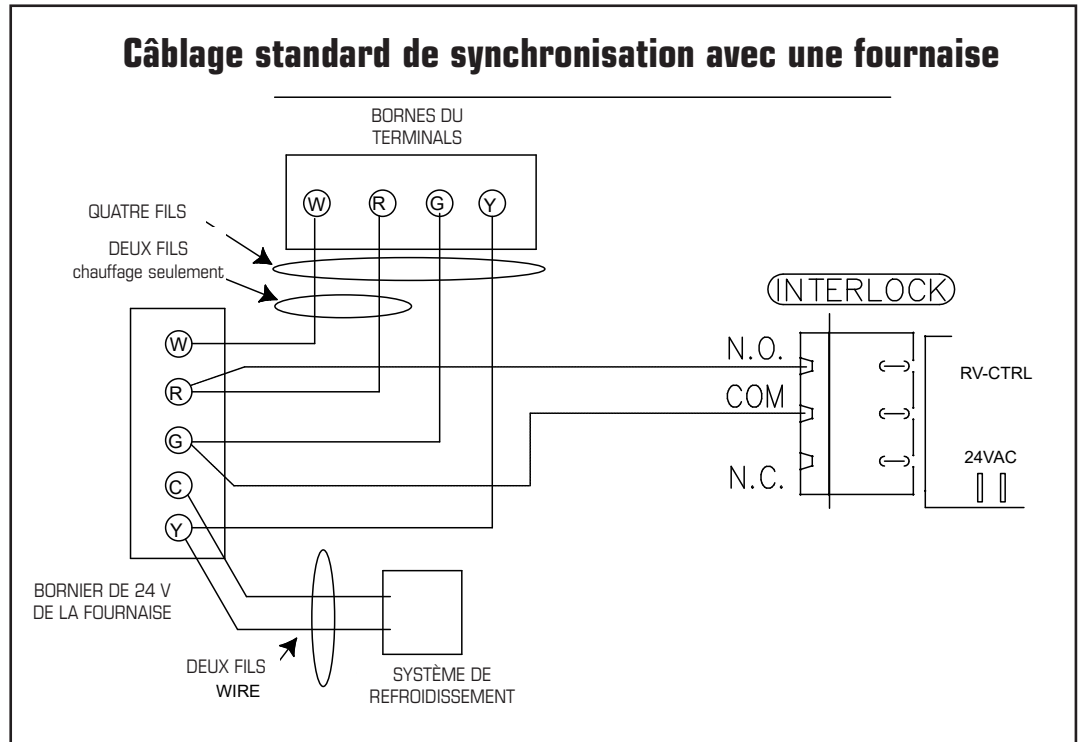
Remote Off Dry Contact

SCHÉMAS ÉLECTRIQUES (SUITE)

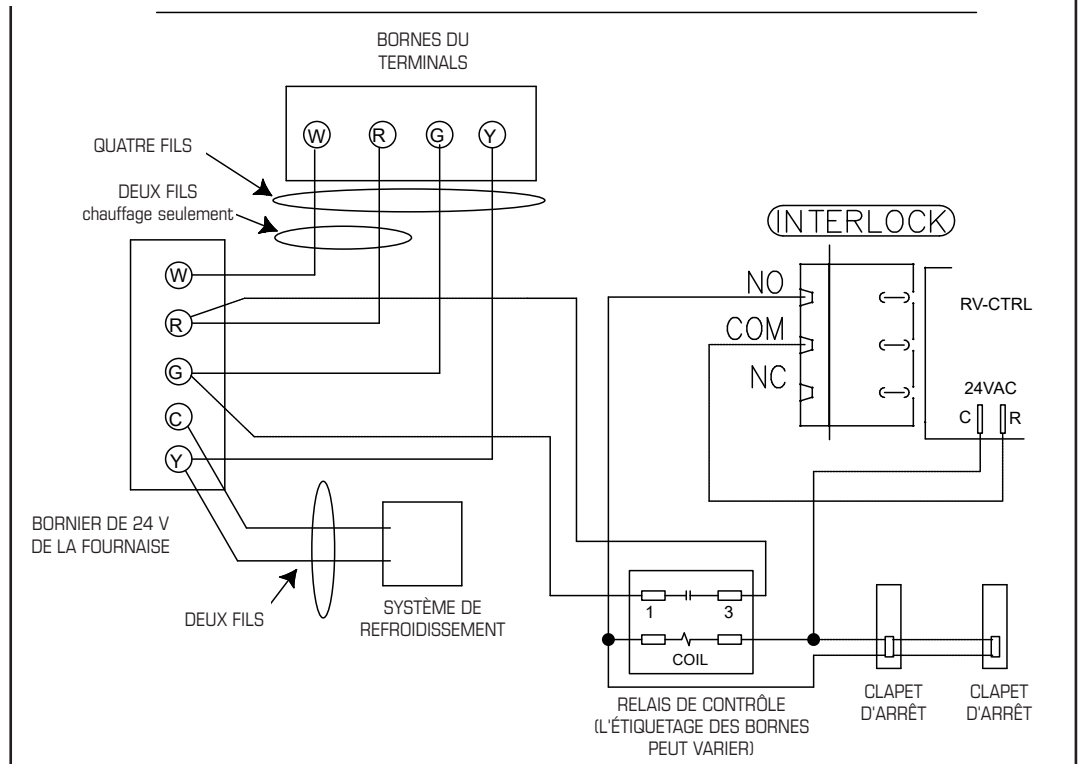
CONNEXION ÉLECTRIQUE À UNE FOURNAISE



DANS LE CAS D'UNE FOURNAISE RACCORDÉE À UN SYSTÈME DE REFROIDISSEMENT



Contact de commande des accessoires secondaires (avec registre)



Ne raccordez jamais un courant alternatif de 120V aux bornes de synchronisation de la fournaise. N'utilisez que le conduit basse tension de classe 2 de la commande du ventilateur de la fournaise.

SCHÉMAS ÉLECTRONIQUES (SUITE)

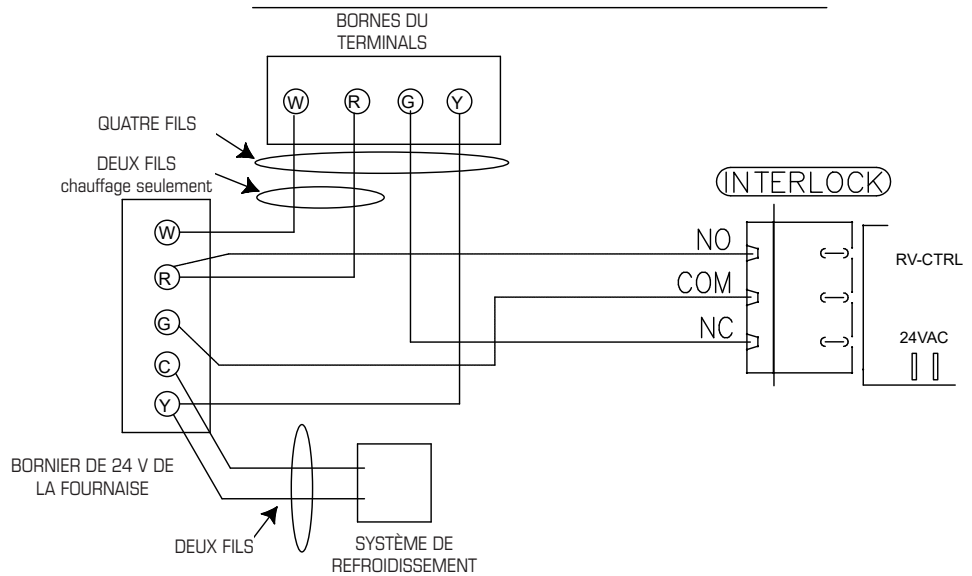
CONNEXION ÉLECTRIQUE À UNE FOURNAISE



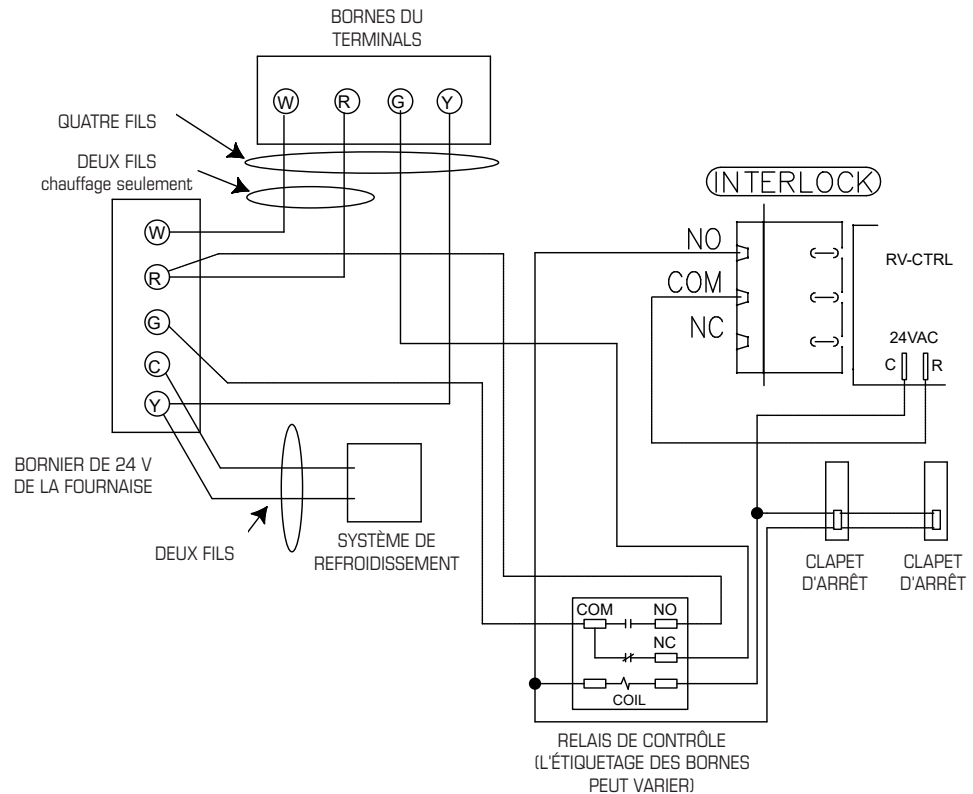
CONNEXION ALTERNATIVE À LA FOURNAISE

Sur certaines nouvelles fournaises, et certains thermostats plus anciens, l'excitation des bornes R et G de la fournaise provoque l'excitation de la borne Y du thermostat et conséquemment la mise sous tension du système de refroidissement. Si votre système est muni d'un tel type de thermostat, vous devez respecter le câblage de verrouillage de la fournaise secondaire.

Contact de commande des accessoires secondaires



Contact de commande des accessoires secondaires (avec registre)



Ne raccordez jamais un courant alternatif de 120V aux bornes de synchronisation de la fournaise. N'utilisez que le conduit basse tension de classe 2 de la commande du ventilateur de la fournaise.

Test de vérification de l'installation

Modèles SER 450, SER 700, SER 1100, SER 1300

Sans contrôle externe

1. Commutateur de sélection de vitesse du ventilateur

- Réglez le sélecteur de vitesse du ventilateur en mode Attente (Standby)

2. Mise en service

- Placez l'appareil en marche
- L'appareil devrait être en mode de **dégivrage par évacuation seulement** pour une durée de 10 secondes et les suivants devraient se produire:

- Ventilateur d'évacuation fonctionne à HAUTE (Normal) vitesse
- Ventilateur d'approvisionnement demeure éteint

3. Attente

- Après le démarrage, l'appareil devrait être en mode **Attente** (Standby). Les éléments suivants devraient se produire:

- Ventilateur d'évacuation s'éteint
- Ventilateur d'approvisionnement demeure éteint

4. BASSE (Réduite) vitesse

- Réglez le sélecteur de vitesse du ventilateur à Basse (Réduit) vitesse. Les éléments suivants devraient se produire:

- Ventilateur d'évacuation fonctionne à Basse (Réduit) vitesse
- Ventilateur d'approvisionnement fonctionne à Basse (Réduit) vitesse

5. HAUTE (Normale) vitesse

- Réglez le sélecteur de vitesse du ventilateur à Haute vitesse (Normal). Les éléments suivants devraient se produire:

- Ventilateur d'évacuation augmente jusqu'à Haute vitesse (Normal)
- Ventilateur d'approvisionnement augmente jusqu'à Haute vitesse (Normal)

6. Fin du test

- Réglez le sélecteur de vitesse à la position désirée
- Test de vérification de l'installation est terminé

Avec contrôle externe

1. Mise en service

- Placez l'appareil en marche
- L'appareil devrait être en mode de **dégivrage par évacuation seulement** pour une durée de 10 secondes et les suivants devraient se produire:

- Ventilateur d'évacuation fonctionne à Haute (normale) vitesse
- Ventilateur d'approvisionnement demeure éteint

2. Contrôle externe

- Après le démarrage, l'appareil répondra au contrôle externe
- Consultez les instruction du manuel de l'utilisateur fourni avec le contrôle externe et assurez que l'appareil fonctionne correctement.

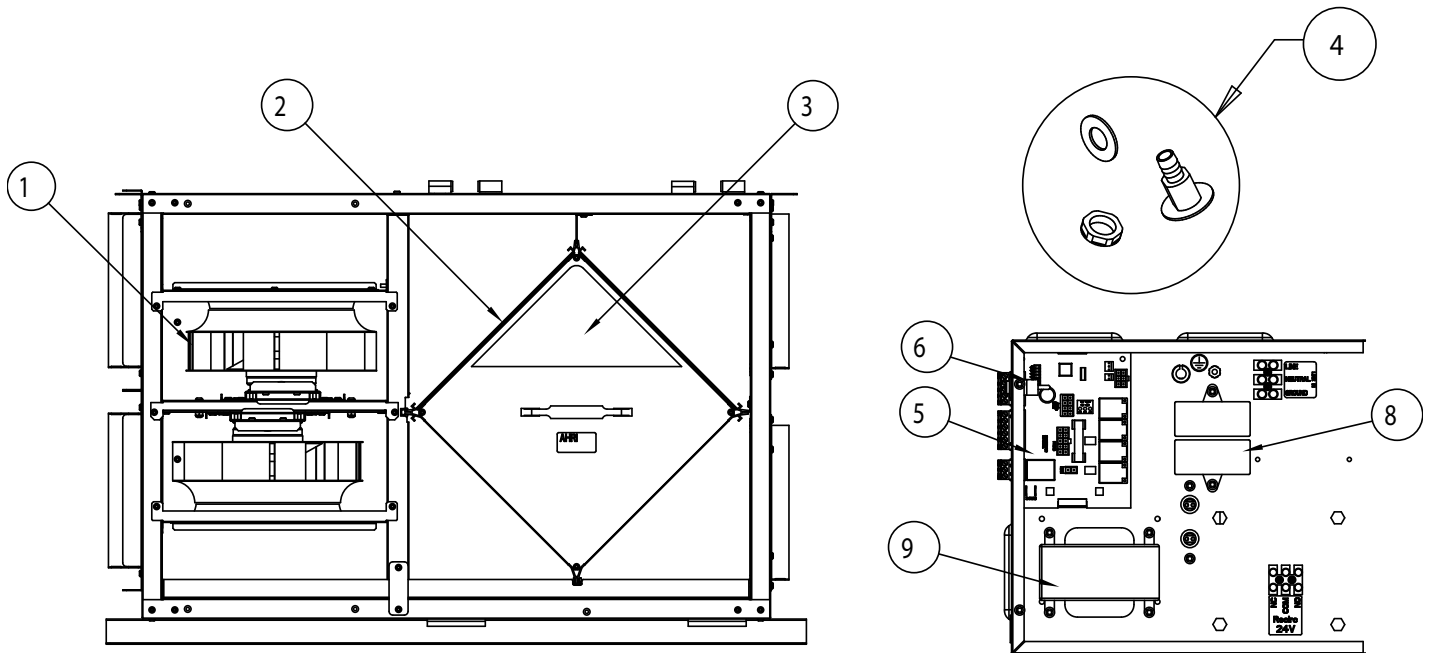
3. Fin du test

- Test de vérification de l'installation est terminé

Garantie limitée

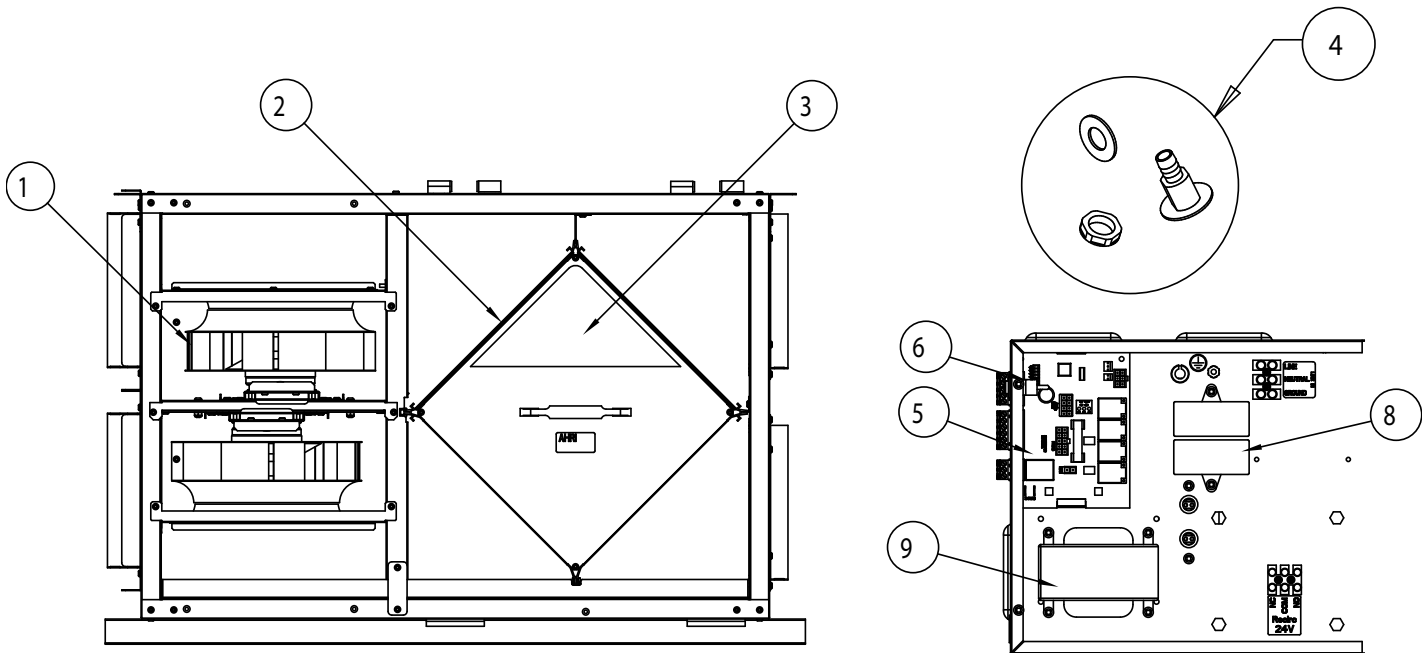
- Garantie de 3 ans.
 - Les ventilateurs-récupérateurs d'énergie Fantech détiennent une garantie de trois (3) ans sur toutes les pièces à partir de la date d'achat, y compris les pièces remplacées pendant cette période. Si aucune preuve d'achat n'est disponible, on utilisera la date associée au numéro de série comme date d'entrée en vigueur de la garantie.
 - Aucun des moteurs des VRE Fantech, quels qu'ils soient, ne requiert de lubrification et tous sont équilibrés en usine pour éviter les vibrations et favoriser un fonctionnement silencieux.
 - La garantie limitée s'applique à une utilisation normale. Elle ne s'applique pas aux défauts de fabrication, aux défauts ou aux défaillances découlant d'une mauvaise installation, des abus, d'une manutention inadéquate, des erreurs d'application, des cas fortuits ou de toute autre circonstance hors du contrôle de Fantech..
 - Une mauvaise installation ou un entretien inappropriée pourrait annuler la garantie.
 - Tout travail non autorisé réalisé sur l'appareil annulera la garantie.
 - Fantech n'est pas responsable des dommages indirects entraînés par l'utilisation du système de ventilation.
 - Fantech n'est pas tenue d'offrir un centre de service autorisé à proximité de l'acheteur ou dans sa région.
 - Fantech se réserve le droit de fournir des pièces remises à neuf comme pièces de remplacement.
 - Les frais de transport, de retrait et d'installation sont la responsabilité de l'acheteur.
 - L'acheteur est tenu de s'assurer qu'il respecte tous les codes en vigueur dans sa région
- * Cette garantie est exclusive et la seule en vigueur relativement au présent système de ventilation et toutes les autres garanties exprès ou implicites sont invalides.

Parts list • Liste des composantes – SER 450



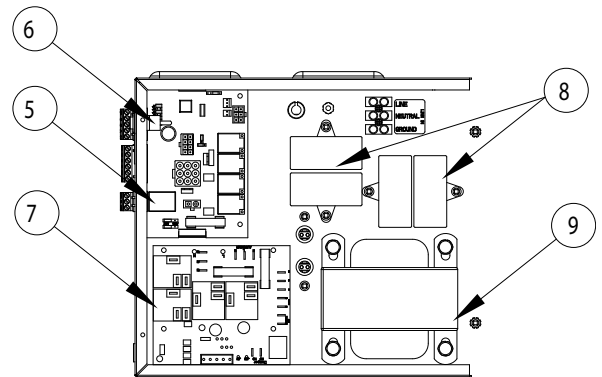
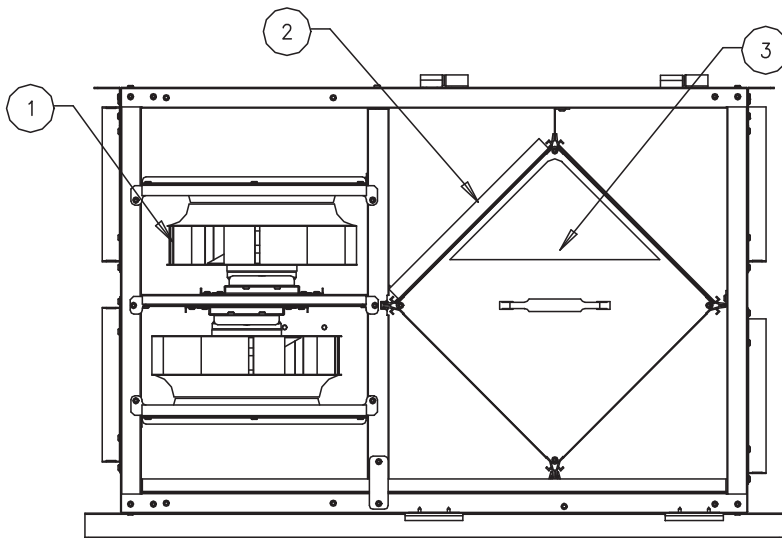
BOM #	Description	SER 450 (99266)
1	Motor Assy, SHR450/700	427814
2	Electrostatic Filters Kit 11.5" x 15"	40328
3	Energy Recovery Cell	422712 x2
4	Kit Drain Plug	40315 x2
	Drain, T	410788
5	Kit,RV-CTRL, Replacement,EC H:F	428252
6	Rocker Switch	410213
8	Capacitors 30uF	412303
9	Auto-Transformer	414570
	Temperature Probe	40286
	Fuse (8 Amps)	410432
	MERV6 Filters	40458
	Replacement Door	463903
	Replacement Blank Panel	463904

Parts list • Liste des composantes – SER 700



BOM #	Description	SER 700 (99276)
1	Motor Assy, SHR450/700	427814
2	Electrostatic Filters Kit 11.5" x 15"	40482
3	Energy Recovery Cell	422695 x2
4	Kit Drain Plug	40315 x2
	Drain, T	410788
5	Kit,RV-CTRL, Replacement,EC H:F	428252
6	Rocker Switch	410213
8	Capacitors 30uF	412303
9	Auto-Transformer	414570
	Temperature Probe	40286
	Fuse (8 Amps)	410432
	MERV6 Filters	40458
	Replacement Door	463903
	Replacement Blank Panel	463904

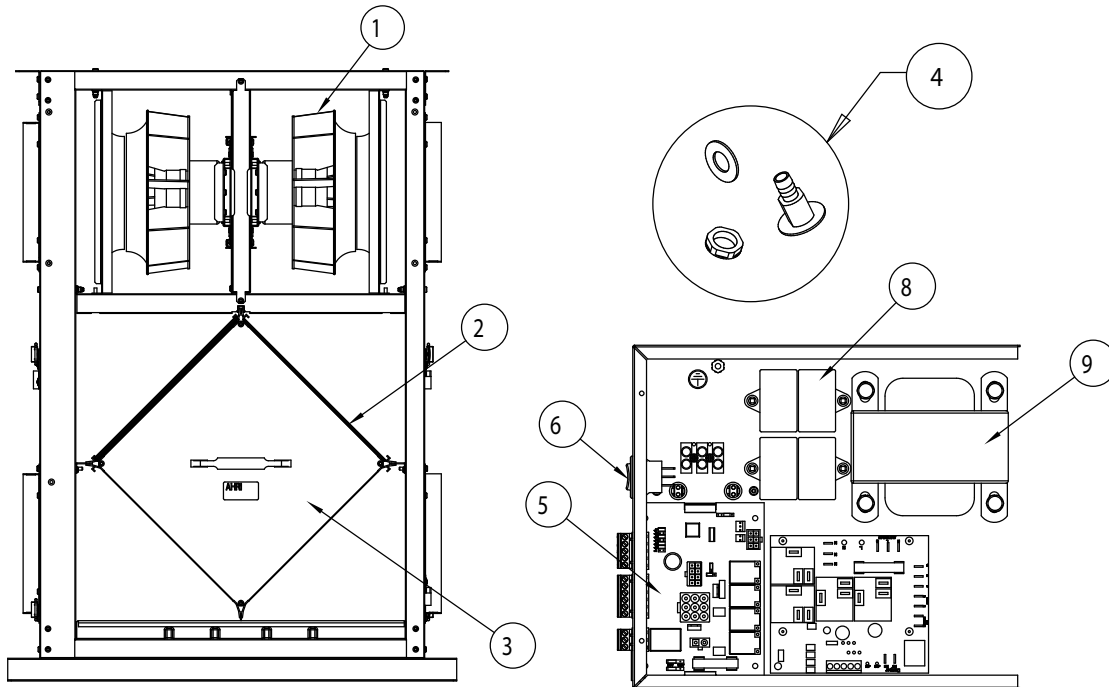
Parts list • Liste des composantes – SER 1100



BOM #	Description	SER 1100 (99277)
1	Motor Assy, SHR450/700	427814
2	Electrostatic Filters Kit 11.5" x 15"	40459
3	Energy Recovery Cell	422695 x 3
4	Kit Drain Plug Drain, T	40315 x2 410788
5	Kit,RV-CTRL, Replacement,EC H:F	428252
6	Rocker Switch	410213
7	PCB, HCE	428449
8	Capacitors 30uF	412303
9	Auto-Transformer	412454
	Temperature Probe	40286
*	Fuse (12 Amps)	412479
*	Fuse (15 Amps)	414618
	MERV6 Filters	40460
	Replacement Door	463903
	Replacement Blank Panel	463904

*Refer to Wiring Diagram for Proper fuse Size

Parts list • Liste des composantes – 1300



BOM #	Description	SER 1300 (99278)
1	Motor Assy, R2E 250-AW-57	411728
2	Electrostatic Filters Kit 11.5" x 15"	40459
3	Heat Recovery Cell	422695 x3
4	Kit Drain Plug	40315 x2
	Drain, T	410788
5	Kit,RV-CTRL, Replacement,EC H:F	428252
6	Rocker Switch	410213
7	PCB, HCE	428449
8	Capacitors 25uF	411618
9	Auto-Transformer	412454
	Temperature Probe	40286
*	Fuse (12 Amps)	412479
*	Fuse (15 Amps)	414618
	MERV6 Filters	40460
	Replacement Door	463903
	Replacement Blank Panel	463904

*Refer to Wiring Diagram for Proper fuse Size

Fantech reserves the right to make technical changes.
For updated documentation please refer to www.fantech.net

Fantech se réserve le droit de faire des changements
techniques. Pour de la documentation à jour, s'il vous plaît se
référer au www.fantech.net

Fantech®

Fantech®