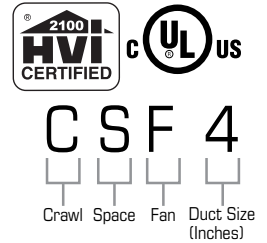


Specification Sheet

Item #: 494060
Rev Date: 2023-09-19

CSF4

Crawspace Ventilation Fan
Product #: 79415 & 79415A



Perfectly suited to distribute fresh air into stale areas to alleviate current or future humidity issues, the CSF4 is an AC-motored, high airflow, and durable ventilation fan. Best suited for non-encapsulated crawlspaces.

Features

- Durable, leak-free, low noise operation
- Corrosion and heat-resistant housing
- Indoor/outdoor use
- Built-in thermal overload protection with automatic reset
- Operable in air stream temperatures up to 140°F (60°C)
- Hardware included
- Limited five year warranty

Specifications (@ 0.2 in. wg. (50 Pa))

- Airflow 120 CFM (57 L/s)
- Duct Size 4 in. (101mm)
- Voltage/Phase/Hz 120/1/60
- Power rated 20 W
- Amperage 0.22A

Requirements and Standards

- cULus listed
- HVI certified

Leak-free Design

The housing is manufactured from two molded, plastic pieces. The fused seam is inherently airtight and permanent to ensure that contaminants do not spill because of leakage.

Electrical Enclosure

The fan housing uses a large, electrical wiring enclosure to make electrical installation easier.

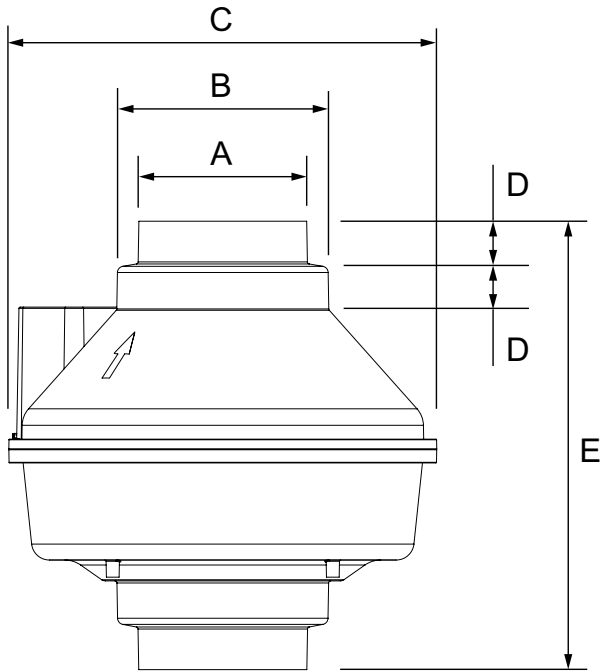
Suitable Mounting Locations

It can be mounted in indoor, outdoor, and in damp locations.

Maintenance

The fan's motor bearings are permanently sealed and self-lubricating for maintenance-free life.

Dimensions



Model	A		B		C		D		E		Weight	
	in	mm	in	mm	in	mm	in	mm	in	mm	lb	kg
CSF4	3 ³¹ / ₃₂	101	4 ³¹ / ₃₂	126	10	254	1	25	10 ⁹ / ₁₆	268	6	2.7

HVI Performance

CSF4 #79415

4 in. (101mm) Duct

0.2 (50) in. wg. (Pa)

Air volume
in CFM (L/s)

Rated power (W)

120 (57)

20.0

CSF4 #79415A

4 in. (101mm) Duct

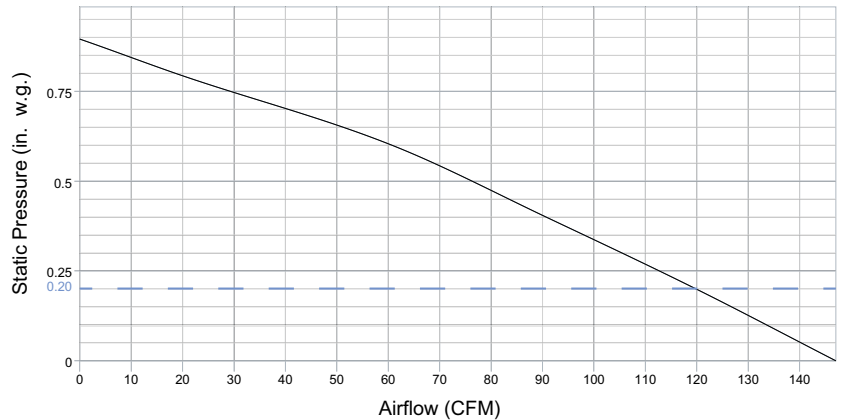
0.2 (50) in. wg. (Pa)

Air volume
in CFM (L/s)

Rated power (W)

120 (57)

28.0



Contacts

Submitted by: _____	Date: _____
Quantity: _____	Model: _____
Project #: _____	
Comments: _____	
Location: _____	
Architect: _____	
Engineer: _____	Contractor: _____

Distributed by:

United States 10048 Industrial Blvd. • Lenexa, KS 66215 • 1.800.747.1762 • www.fantech.net

Canada 50 Kanalfakt Way • Bouctouche, NB E4S 3M5 • 1.800.565.3548 • www.fantech.net

Fantech, reserves the right to modify, at any time and without notice, any or all of its products' features, designs, components and specifications to maintain their technological leadership position.

 **fantech**[®]
a systemair company