

# 5DDU Series

## Direct Drive Upblast Roof Ventilators

### Application

Direct-drive upblast ventilators are designed for continuous operation to exhaust foul air, smoke, fumes, odors and grease-laden vapors from range hoods and commercial cooking appliances. Ventilators are designed for installation in industrial, institutional and commercial kitchen roof and wall applications.

### Design

All models are equipped with a backward inclined aluminum fan wheel and a speed controllable motor.

### Certification

All models are UL 705 listed. All models except 5DDU 085AY are UL 762 listed (commercial kitchen exhaust).



Fantech, Inc. certifies that the models shown are licensed to bear the AMCA Seal. The ratings are based on the tests and procedures performed in accordance with AMCA Publication 211 and Publication 311 and comply with the requirements of the AMCA Certified Ratings Program. Performance certified is for installation type A- Free inlet, Free outlet. Performance ratings include the effects of the bird screen.



- Airflow up to 3,899 cfm
- Externally cooled motor compartment
- Fully welded windband
- Air stream temperatures up to 300 °F



### Specification data

Model	Rated power	Voltage / phase	Amperage full load	RPM	0.0" P <sub>s</sub>	0.25" P <sub>s</sub>	0.375" P <sub>s</sub>	0.50" P <sub>s</sub>	0.625" P <sub>s</sub>	0.75" P <sub>s</sub>	1.00" P <sub>s</sub>	Shipping weight	Shipping class	Item #	List price
	HP	V / ~	Amps	min <sup>-1</sup>	cfm						lbs			USD	
					Sones <sup>1</sup>   BHP										
5DDU 085AY	1/25	120	1.5	1642	416	267	169	-	-	-	-	23	2	47333	393.-
					8.0   -	6.5   -	6.8   -	-	-	-	-				
5DDU 106A	1/20	120	1.2	1100	685	388	116	-	-	-	-	37	2	47334	476.-
					5.1   -	3.9   -	4.1   -	-	-	-	-				
5DDU 10AA	1/6	120	2.7	1725	1048	911	836	749	650	522	-	88	2	47335	560.-
					12.6   -	11.6   -	11.3   -	10.6   -	10.8   -	10.5   -	-				
5DDU 12CA	1/3	120	4.0	1557	1531	1406	1340	1272	1193	1107	897	109	2	47337	701.-
					13.8   0.27	13.3   0.31	12.9   0.32	12.6   0.33	12.3   0.34	12.0   0.35	11.3   0.33				
5DDU 13DB	1/2	120/230	8.0 / 4.0	1690	2419	2285	2218	2145	2072	1992	1829	117	2	47339	841.-
					20   0.54	19.5   0.56	19.0   0.58	18.6   0.59	18.2   0.60	17.9   0.62	17.4   0.63				
5DDU 15CA	1/3	120	4.4	1144	2174	1963	1849	1714	1568	1375	-	130	2	47340	1,008.-
					13.5   0.27	12.5   0.30	12.0   0.31	11.4   0.32	10.8   0.32	10.0   0.32	-				
5DDU 16DB	1/2	120/230	6.2 / 3.1	1145	2859	2619	2494	2369	2219	2063	1502	144	2	47342	1,065.-
					15.6   0.41	14.5   0.45	13.7   0.47	13.2   0.48	12.6   0.49	12.2   0.49	11.0   0.46				
5DDU 18EB	3/4	120/230	10.0 / 5.0	1111	3899	3644	3495	3337	3181	3011	2616	159	2	47343	1,177.-
					21   0.73	20   0.78	19.8   0.80	18.9   0.81	18.0   0.83	17.3   0.84	16.9   0.85				

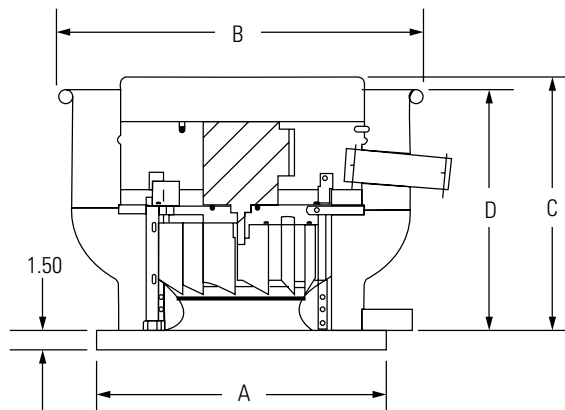
Performance certified is for installation type A: free inlet, free outlet. Performance rating includes the effects of bird screen. Speed (RPM) shown is nominal, and performance is based on actual speed of test.

<sup>1</sup> The sound ratings shown are loudness values in fan sones at 5 ft. (1.5m) in a hemispherical free field calculated per AMCA standard 301. Values shown are for installation type A, free inlet hemispherical sone levels.

### Dimensions

Model	A	B	C	D
5DDU 085AY	19	20 1/2	12 1/8	10
5DDU 106A	19	23 7/8	18 7/8	16 7/8
5DDU 10AA	19	23 7/8	18 7/8	16 7/8
5DDU 12CA	22	26 1/8	19 5/8	17 3/4
5DDU 13DB	22	27 7/8	20 3/4	18 1/2
5DDU 15CA	26	29 7/8	22	19 3/8
5DDU 16DB	26	31 3/4	22 3/4	20 1/8
5DDU 18EB	30	34	24	21 1/8

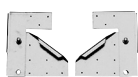
Dimensional information is in inches.



### Accessories for UL 762 Commercial Kitchen Exhaust Applications



**5ACC.. VC**  
Vented Curb  
page 272



**5ACC.. HK**  
Hinge Kit  
page 274

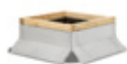


**5ACC.. GC**  
Grease Collector  
page 274



**5ACC.. MS**  
Motor Disconnect  
page 261

### Accessories for Non-UL 762 Applications



**5ACC.. FS**  
Non-ventilated Curb  
page 272



**5ACC.. FT**  
Non-ventilated Curb  
page 272



**5ACC.. RD**  
Roof Mount Damper  
page 273



**5ACC.. MS**  
Motor Disconnect  
page 261



**5ACC.. SC**  
Speed Control  
page 259