

Bar Linear Floor Grille



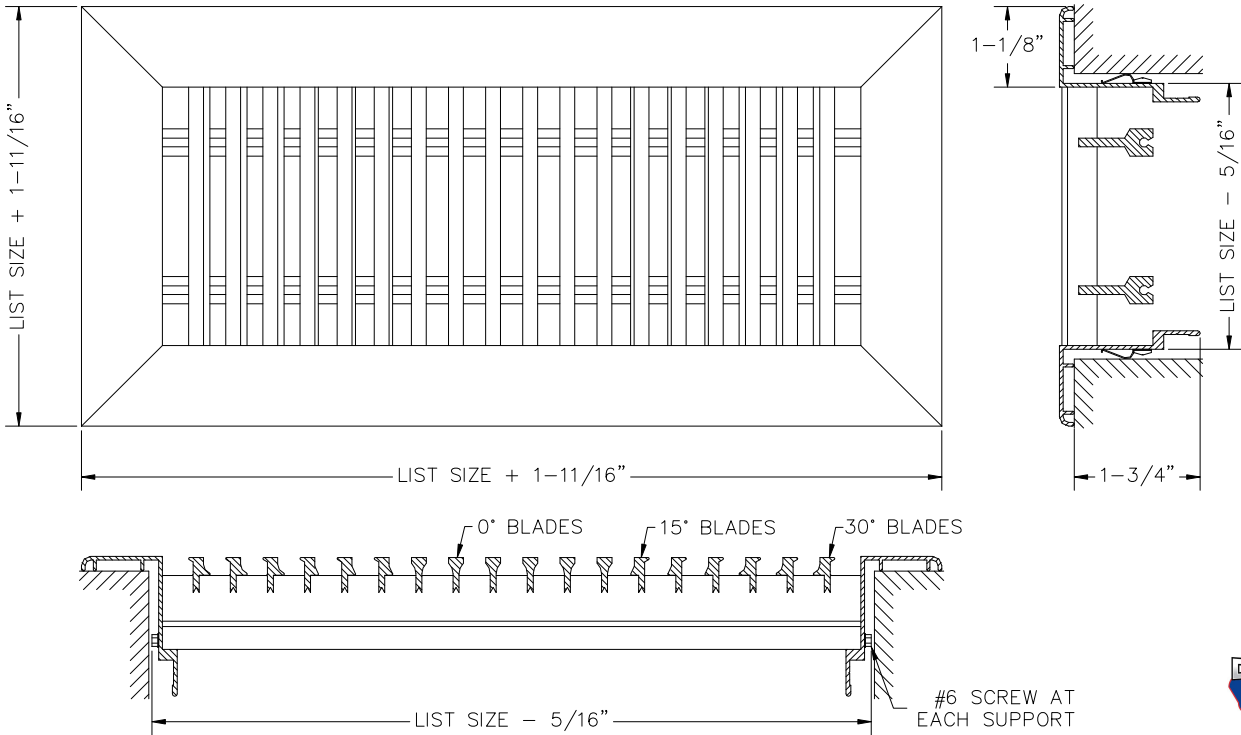
DAF

- Reinforced for floor use
- Fully extruded aluminum construction for a stylish appearance
- Fixed blades designed for long straight air throw
- Split air pattern with 0°, 15° and 30° degree blades designed to spread the air evenly
- Durable powdercoat painted finish

Available only in sizes shown

Size W x L
4+x 8+
4+x 10+
4+x 12+
4+x 14+
4+x 16+
4+x 18+
3+x 10+

Size W x L
6+x 8+
6+x 10+
6+x 12+
6+x 14+
6+x 16+
6+x 18+



DESCRIPTION	DAF
FACE BLADES	Fixed
REAR BLADES	n/a
DAMPER	n/a
MATERIAL	Extruded Aluminum
COLOR	White/Silver/Mill/Brown

JOB NAME: _____

LOCATION: _____

ARCHITECT: _____

ENGINEER: _____

CONTRACTOR: _____