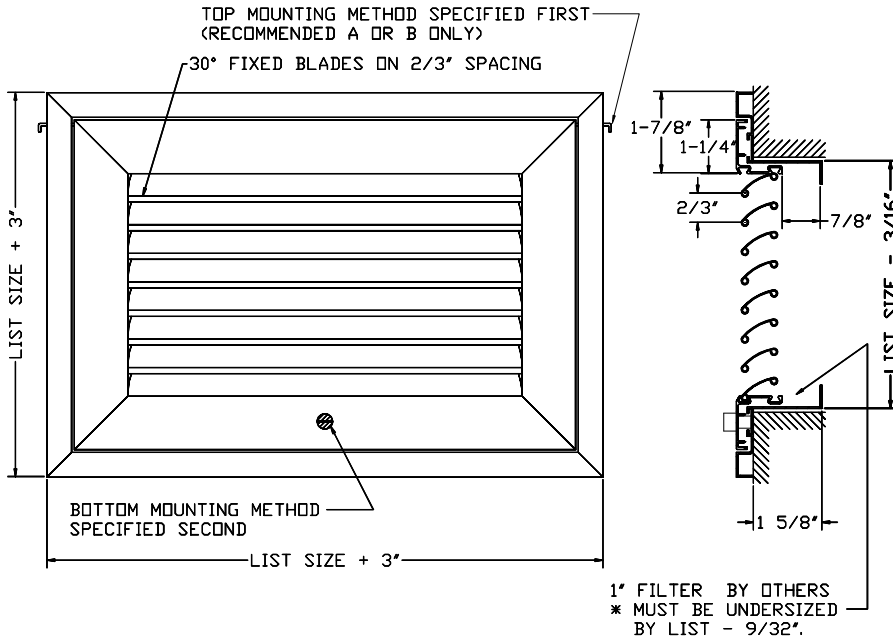


Return Air Filter Grilles

• Note: DARH-FG-A&C shown

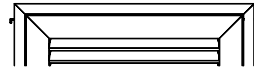


DARH-FG-^{Top} Mounting & ^{Bottom} Mounting

MOUNTING OPTIONS - **A, B, C, or D.**

Must Specify Both

A Spring pins (on sides)



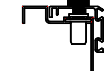
• Grille easily removed from frame (recommended for top mounting only)

B Wire hinge

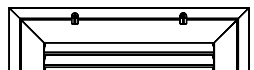


• Grille non-removable from frame (recommended for top mounting only)

C Nylon thumb screw

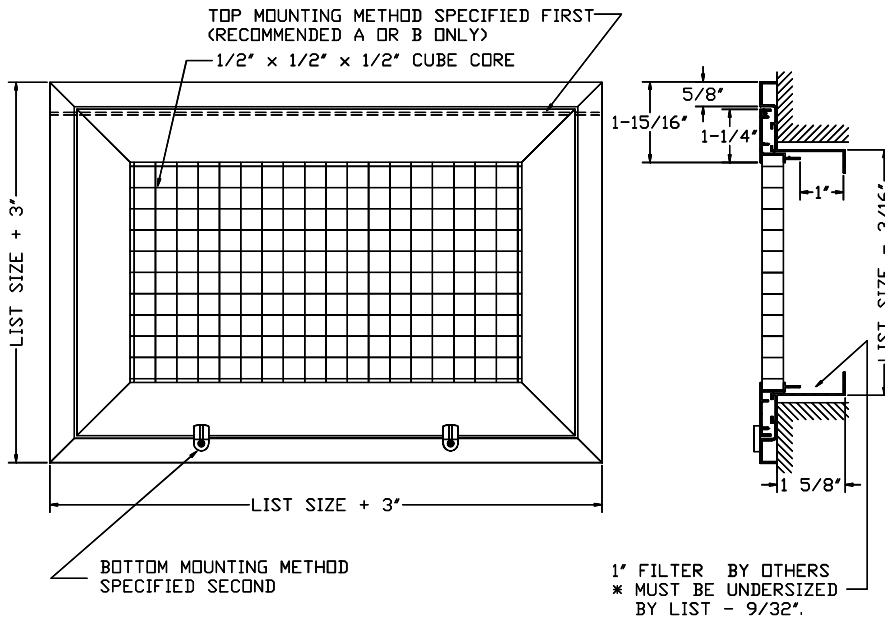


D Nylon screen tabs



• Note: 2" Filter can be specified by adding suffix -2 INCH

• Note: DARE5-FG-B&D shown

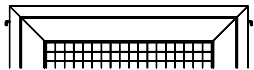


DARE5-FG-^{Top} Mounting & ^{Bottom} Mounting

MOUNTING OPTIONS - **A, B, C, or D.**

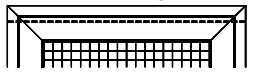
Must Specify Both

A Spring pins (on sides)



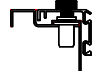
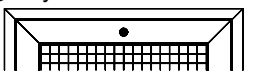
• Grille easily removed from frame (recommended for top mounting only)

B Wire hinge

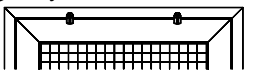


• Grille non-removable from frame (recommended for top mounting only)

C Nylon thumb screw



D Nylon screen tabs



• Note: 2" Filter can be specified by adding suffix -2 INCH

DESCRIPTION	DARH-FG- ^{Top} Mount & ^{Bottom} Mount	DARE5-FG- ^{Top} Mount & ^{Bottom} Mount
FACE BLADES	Horizontal Fixed 30°	1/2" x 1/2" x 1/2" Cube Core
REAR BLADES	n/a	n/a
DAMPER	n/a	n/a
MATERIAL	Aluminum	Aluminum
FINISH	White/Silver/Mill	White/Silver/Mill

JOB NAME: _____

LOCATION: _____

ARCHITECT: _____

ENGINEER: _____

CONTRACTOR: _____