

CONSTRUCTION SOLUTIONS



REQUEST FOR ALTERNATE TO BID (SUBMITTAL FORM ATTACHED)

_____ requests to add and/or substitute the DBX1000 Dryer Vent Box, manufactured by Construction Solutions, on the following _____ project.

The utilization of the DBX1000 will employ the following benefits:

ATTRACTIVE – Has a clean white appearance that coordinates with the washer boxes now being installed in most new homes.

PRACTICAL - Conceals the dryer vent and gas valve connection in the wall away from harms way, available for easy access hook-up connection.

DURABLE - Manufactured from durable high impact polystyrene plastics. Easy to clean and is heat and moisture resistant.

ELIMINATES CALLBACKS – The patented trim ring reduces job walkthrough tags for the drywall and painting contractor's touch-up repairs around the metal vent receptacle.

ADDED VALUE - The **DBX1000** recoups up to five feet of living space by positioning the dryer closer to the wall and even with the washer.

EASY TO INSTALL - Can be installed with several nails or screws. The patented trim ring provides an attractive finished appearance.

MULTIFUNCTIONAL – The **DBX 1000** is multi-positional for field conversion as an up/down/or direct vent. It can also be used behind gas ranges or stoves to keep the gas valve and connection in the wall.



SUBMITTAL FORM

PROJECT INFORMATION

Project Name: _____

Project Address: _____

City: _____

State/Zip: _____

Start Date for Dryer Venting: _____

Builder/Contractor: _____

CONTRACTOR INFORMATION

THIS PRODUCT SUBMITTAL PACKAGE HAS BEEN FURNISHED BY:

Contractor Name: _____

Address: _____

City: _____

State/Zip: _____

Contact: _____

Phone/Fax: _____

Email: _____

SUBMITTAL INFORMATION

THIS SUBMITTAL PACKAGE INCLUDES:

Alignment Considerations/Specifications and Scope of Work: _____

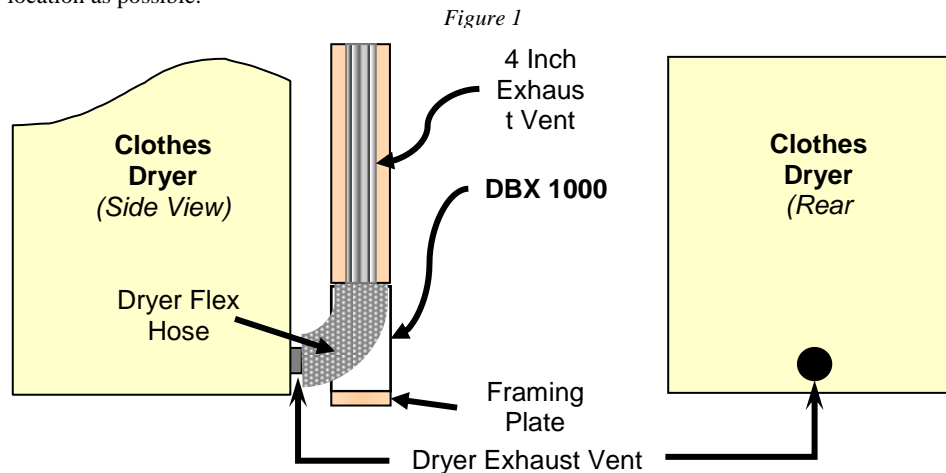
Installation Instructions: _____

UL Mark Reference Documents: _____

Alignment Considerations

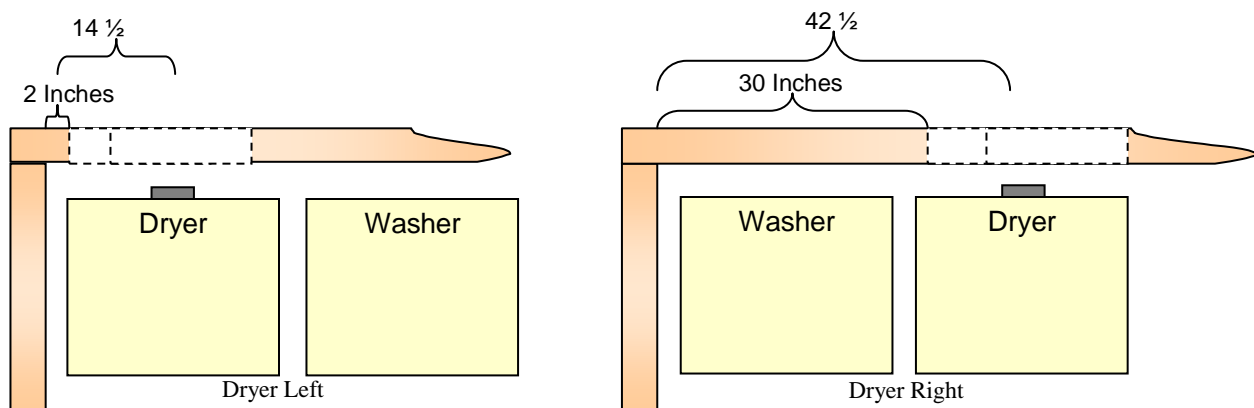
For standard, side-by-side washer & dryer alignments, the DBX 1000 should always be installed on the bottom framing plate. In many cases job superintendents or subcontractors think the DBX 1000 should be installed 5 or 6 inches above the floor when in fact they are taking away the main benefit of using the DBX 1000. Installing the unit above the baseboard eliminates the ability to move the clothes dryer all the way back against the wall because the flex hose now has to bend upwards to reach the receptacle area.

As shown in the diagram below, most standard American dryers locate the 4 Inch exhaust port at the bottom center of dryer's rear panel, 3 Inches above floor level. With that in mind, the DBX 1000 is properly installed when set on the bottom framing plate and aligned with the dryer location. Ideally, the center of the DBX 1000 should be located in the wall as close to the center of the proposed dryer location as possible.



Washer/Dryer Placement Considerations

- Dryer Left of Washer Alignment. The DBX1000 should be installed on the bottom framing plate with its left edge from 4 to 14 inches from a left perpendicular wall.
- Dryer Right of Washer Alignment. The DBX1000 should be installed on the bottom framing plate with its left edge from 38 to 52 inches from a left perpendicular wall.



Specifications and Scope of Work

Builder Specification Wording for HVAC

“Recessed Dryer Vent Receptacle with Trim Ring - Construction Solutions DBX1000”

Architectural Technical Specifications for DBX 5.01 (6” Construction) and DBX 10.01 (4” Construction)

Model Number DBX 5.01 (6” Construction) by Construction Solutions

Model Number DBX 10.01 (4” Construction) by Construction Solutions

Made of High Impact Polystyrene which Meets UL Standards for 94HB Flammability Testing and is recognized by Underwriters Laboratories Inc. Representative samples of this component have been evaluated by UL and meet applicable UL requirements. Provide a 16” or 24” on center stud bay with 2 X 6 or 2 X 4 wall structure.

4 Inch Wall

Material used in the DBX 1000 meets UL94 HB Flammability Testing and is recognized by Underwriters Laboratories Inc. Representative samples of this component have been evaluated by UL and meet applicable UL requirements.



For optimum results, install the **DBX1000**[®] recessed vent receptacle for **4 Inch Walls** as follows:

Box Installation - 16 Inch On-Center Spacing:

1. Orient box to match desired venting direction, score & remove appropriate top or rear 4-inch oval vent pipe knock out. Allow minimum of 4 inches of vent of pipe to extend inside box
2. If gas line is to be installed, locate 1⁵/₈" straw clamp on top of box. Cut the webs between the 8 fins with a utility knife. Push the gas line through the straw clamp. The fins will flex inward holding the pipe.
3. Slide box into position taking care to correctly align vent pipe and gas pipe (if present).
4. Spacing tabs will automatically position box so that bottom, inside edge is from **2¹/₄" to 2⁵/₈" inches above unfinished floor** to allow clearance between trim ring and finished floor covering. Tabs may be removed if a different spacing is desired.
5. Attach box directly to both right and left studs using the six flange screw holes. *Screws are recommended* for mounting.

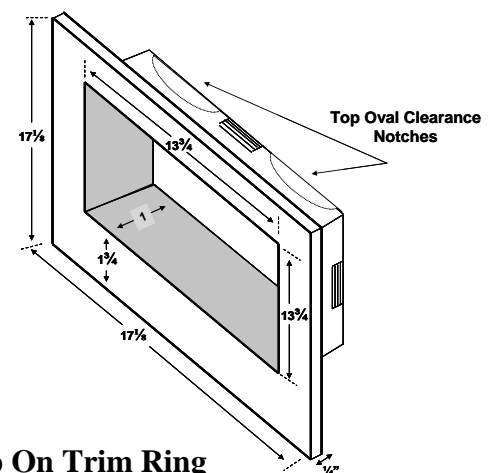
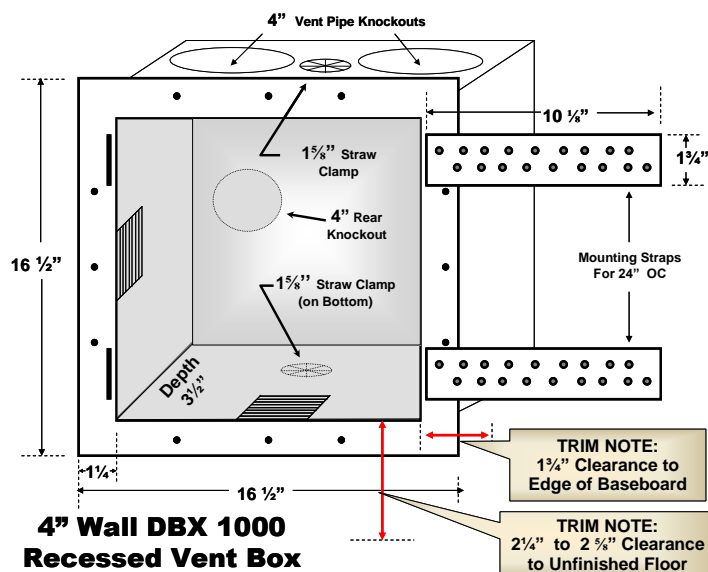
Box Installation - 24 Inch On-Center Spacing:

1. Orient box to match desired venting direction, score & remove appropriate 4-inch oval vent pipe knock out. Allow minimum of 4 inches of vent of pipe to extend inside box.
2. If gas line is to be installed, locate 1⁵/₈" straw clamp on top or bottom of box. Cut the webs between the 8 fins with a utility knife. Push the gas line through the straw clamp. The fins will flex inward holding the pipe.
3. Slide box into position taking care to correctly align vent pipe and gas pipe (if present).
4. Spacing tabs will automatically position box so that bottom, inside edge is from **2¹/₄" to 2⁵/₈" inches above unfinished floor** to allow clearance between trim ring and finished floor covering. Tabs may be removed if a different spacing is desired.
5. Attach one side of box directly to stud using the three flange screw holes.
6. Snap in the two mounting straps on the other side of the box and attach these to the second stud using the strap screw holes. *Screws are recommended* for mounting.

Trim Instructions:

1. Snap out left or right trim ring "cut out" (see detail below).
2. **Leave 1³/₄" inches between inside edge of box and end of baseboard** to allow for trim ring clearance.
3. Snap trim ring into opening, no caulking required.
4. Leave unfinished or paint with desired color.

- Box made from High Impact Polystyrene ("HIPS")
- Meets UL94 HB Flammability Testing
- Install in up to 24" on center location, brackets included
- Easy to remove 4" oval knockouts
- Top and Bottom Straw clamps for gas pipe
- Snap on trim ring accommodates up to 3/4" drywall
- US Patented Product 6,938,640



6 Inch Wall

Material used in the DBX 1000 meets UL94 HB Flammability Testing and is recognized by Underwriters Laboratories Inc. Representative samples of this component have been evaluated by UL and meet applicable UL requirements.



For optimum results, install the **DBX1000**[®] recessed vent receptacle for **6 Inch Walls** as follows:

Box Installation - 16 Inch On-Center Spacing:

- Orient box to match desired venting direction, score & remove appropriate, top or rear, 4-inch vent pipe knock out. Allow minimum of 4 inches of vent of pipe to extend inside box
- If gas line is to be installed, locate 1⁵/₈ straw clamp on top of box. Cut the webs between the 8 fins with a utility knife. Push the gas line through the straw clamp. The fins will flex inward holding the pipe.
- Slide box into position taking care to correctly align vent pipe and gas pipe (if present).
- Spacing tabs will automatically position box so that bottom, inside edge is from **2¹/₄ to 2⁵/₈ inches above unfinished floor** to allow clearance between trim ring and finished floor covering. Tabs may be removed if a different spacing is desired.
- Attach box directly to both right and left studs using the six flange screw holes. *Screws are recommended* for mounting.

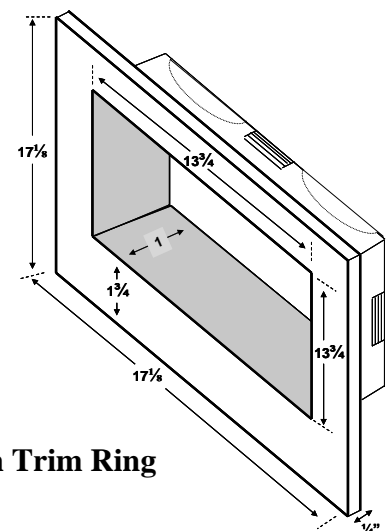
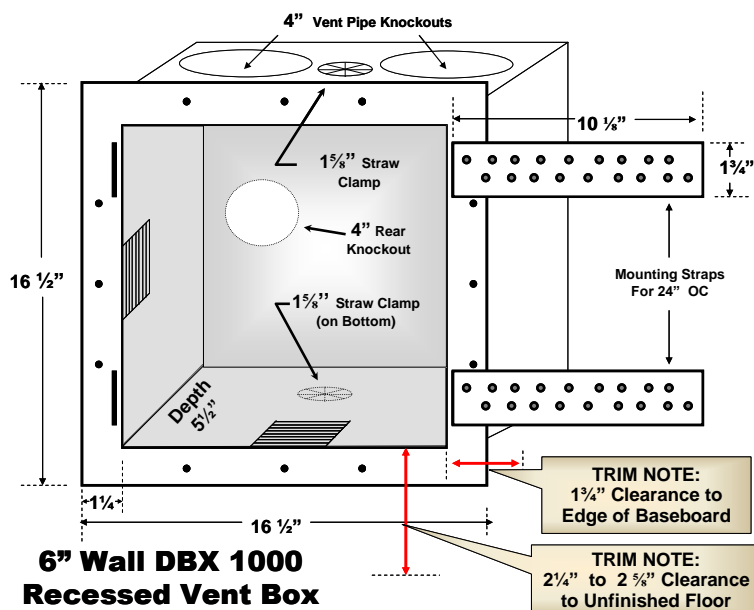
Box Installation - 24 Inch On-Center Spacing:

- Orient box to match desired venting direction, score & remove appropriate 4-inch vent pipe knock out. Allow minimum of 4 inches of vent of pipe to extend inside box.
- If gas line is to be installed, locate 1⁵/₈ straw clamp on top or bottom of box. Cut the webs between the 8 fins with a utility knife. Push the gas line through the straw clamp. The fins will flex inward holding the pipe.
- Slide box into position taking care to correctly align vent pipe and gas pipe (if present).
- Spacing tabs will automatically position box so that bottom, inside edge is from **2¹/₄ to 2⁵/₈ inches above unfinished floor** to allow clearance between trim ring and finished floor covering. Tabs may be removed if a different spacing is desired.
- Attach one side of box directly to stud using the three flange screw holes.
- Snap in the two mounting straps on the other side of the box and attach these to the second stud using the strap screw holes. *Screws are recommended* for mounting.

Trim Instructions:

- Leave **1³/₄ inches between inside edge of box and end of baseboard** to allow for trim ring clearance.
- Snap trim ring into opening, no caulking required.
- Leave unfinished or paint with desired color.

- Box made from High Impact Polystyrene ("HIPS")
- Meets UL94 HB Flammability Testing
- Install in up to 24" on center location, brackets included
- Easy to remove 4" knockouts
- Top and Bottom Straw clamps for gas pipe
- Snap on trim ring accommodates up to 3/4" drywall
- US Patented Product 6,938,640



Construction

SOLUTIONS

Subject: DBX 1000™ Dryer / In-Wall Recess Receptacle

Dear Customer,

This letter is to answer any questions you may have concerning Underwriters Laboratories evaluation of the materials used in the DBX 1000™.

The High Impact Polystyrene Material (HIPS) used in the DBX 1000 is recognized by Underwriters Laboratories Inc. Representative samples of this component have been evaluated by UL and meet applicable UL 94 requirements in both the United States and Canada. This is the only material used in the manufacture of our product (Receptacle, Trim Ring and Straps).

The authorized designation for the HIPS material used in the DBX 1000™ dryer vent is a UL Recognized Component and the UL authorized identifying mark is shown as:



The material in the DBX 1000™ meets UL standard 94HB and fully satisfies the International Residential Code (Section M1502). It is not suitable for a one hour fire rated wall system. The same is true for laundry room washer boxes.

What does UL 94 HB Mean? UL 94 flammability testing is part of plastic Recognition and subsequent certification in the "Plastics Recognized Component Directory" (formerly known as "Yellow Cards"). HB rated materials are considered appropriate for mechanical and/or decorative purposes including enclosures, structural parts and insulators.

We hope this addresses any concerns you may have. Should you have any questions regarding this matter, please don't hesitate to contact Construction Solutions at 480-346-8240. You may also verify our status on the UL website at www.ul.com. (Navigate to certifications and enter Construction Solutions file number E249870.) You may also contact UL at 877-854-3577.

Thank you for your confidence in our quality products!

Sincerely,

Craig M. Liston
National Sales Manager
Construction Solutions
480-346-8241

Certificate of Compliance

Certificate Number **100906-E249870**
Report Reference **E249870, August 18, 2006**
Issue Date **2006 October 9**

Page 1 of 1



**Underwriters
Laboratories Inc.®**

Issued to: **CONSTRUCTION SOLUTIONS L L C**
SUITE 1
7918 E MCCLAIN DR
SCOTTSDALE, AZ 85260 USA

*This is to certify that
representative samples of*

Plastics - Component

Model No. DBX 1000


Standard(s) for Safety:

*Have been investigated by Underwriters Laboratories Inc.® in accordance
with the Standard(s) indicated on this Certificate.*

**The basic Standard for Flammability of Plastic Materials for Parts in Devices and
Appliances, UL 94.**

Additional Information:

Only those products bearing the UL Recognized Component Mark should be considered as being covered by UL's Recognition and Follow-Up Service.

The UL Recognized Component Mark generally consists of the manufacturer's identification and catalog number, model number or other product designation as specified "Marking" for the particular Recognition as published in the appropriate UL Directory. As a supplementary means of identifying products that have been produced under UL's Component Recognition Program, UL's Recognized and Component Mark:  may be used in conjunction with the required Recognized Marks. The Recognized Component Mark is required when specified in the UL Directory preceding the recognitions or under "Markings" for the individual recognitions.

Look for the UL Listing Mark on the product

Issued by: *Ibukin Falusi*

Ibukin Falusi, Engineer

Underwriters Laboratories Inc.

For questions in The United States of America you may call 1-877-UL-HELPS.

Reviewed by: *Jeffrey P. Alberti*

Jeffrey P. Alberti, Staff Engineer

Underwriters Laboratories Inc.