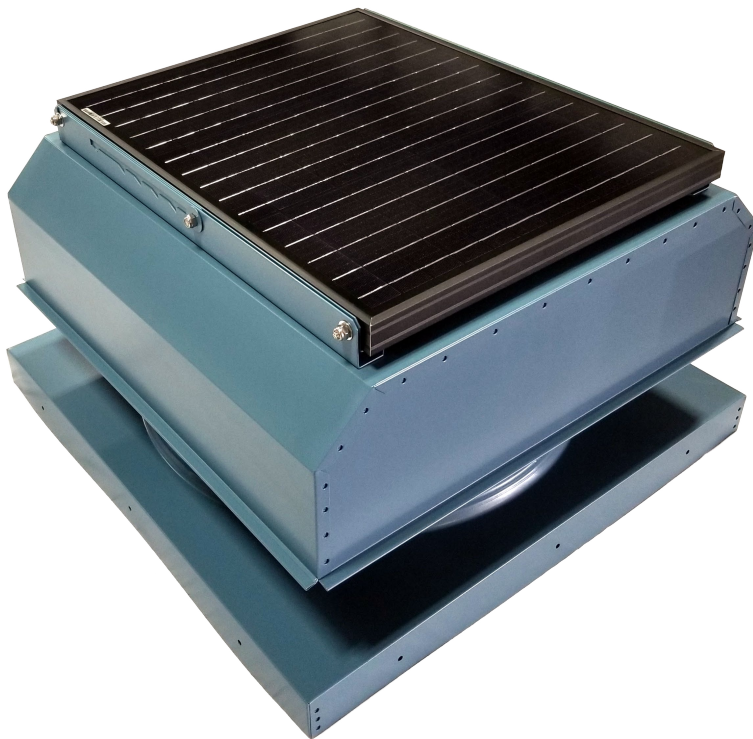


Attic Breeze®

America's Leader in Solar Powered Ventilation

Installation Guide



AB-2543

AB-3543

AB-4543

AB-6543

GEN3 CMA/CMD Model Series Fans



ATTENTION: PLEASE READ THROUGH THIS ENTIRE INSTRUCTION GUIDE BEFORE PROCEEDING WITH YOUR INSTALLATION. MAKE SURE YOU HAVE THE REQUIRED TOOLS AND MATERIALS TO COMPLETE THE INSTALLATION OF YOUR SOLAR ATTIC FAN BEFORE BEGINNING.

Getting Started

Your Attic Breeze curb-mount solar attic fan is designed for easy installation with metal roofs, tile roofs, or roofs featuring other high-profile materials where a roof curb is required for proper installation. If installing our products on a composite shingled roof or a similar low-profile roof type, please contact Attic Breeze for information on our self-flashing fans designed for those roof types.



Your local building code may require specific fasteners or anchoring systems not discussed in this installation guide. If installing this product in an area of either Florida or Texas that has been designated as a high velocity wind zone area, review applicable building code requirements for additional installation instructions.

What's Included



Self-Tapping Screws with Rubber Bonded Washers



Weatherproof Roofing Grade Sealant

What's Needed



Cordless Drill with Nut Driver



Reciprocating Saw



Measuring Tape

Safety Information

Safety precautions should be taken when performing the roofing work described in this installation guide. You can significantly reduce your risk of danger by following the below recommendations:

- Do not perform roofing work in wet or windy conditions
- Tie-off both yourself and your equipment when working on steep pitched roofs to avoid falls
- Wear safety glasses and protective gloves when using power tools
- Always wear slip-resistant shoes when working on the roof
- Do not cut through any rafters or structural members of the roof during installation
- Leave the solar panel covered until your installation is complete

Choosing the Right Location

Choose a location to install your solar attic fan that allows for balanced air flow throughout the attic space. The solar fan should be installed roughly centered on the roof and three feet below the ridge line. For optimum performance, choose an area on the south side of your roof that is not shaded or blocked from the sun for extended periods throughout the day. If a location on the southern side of your roof is not available, you may raise the solar panel mounting bracket and face the fan unit toward the south for better sun exposure. Your solar attic fan should not be installed any closer than within 10 feet to an existing passive vent, ridge vent, or additional fan unit.

Ventilation Requirements

In order for your Attic Breeze solar attic fan to operate at maximum performance, your attic must have enough intake ventilation (net free area) to support the amount of air that your fan is moving. The minimum recommended amount of intake ventilation for your product model is shown in Table 1. Your installation should either meet or exceed these recommendations for optimum fan performance. If you need assistance determining the proper amount of intake ventilation for your home, please visit our website for more information.

Fan Model	Intake Ventilation
AB-2543	5.2 sqft
AB-3543	6.0 sqft
AB-4543	6.5 sqft
AB-6543	7.2 sqft

Table 1 - Intake Ventilation Requirements

Installing the Fan

Step 1 - Cut the Hole

Begin by removing roof tiles in the area where the roof curb will be installed. Find the closest rafter to that location and determine if your roof has either 16" on center or 24" on center rafter spacing. If your roof has 24" on center rafter spacing, find the center point between two rafters and mark it as the center of the vent hole. For roofs with 16" on center spacing, mark the rafter itself as the center of the vent hole. Using the center point mark as a reference point, trace out a 20" x 20" square around the center point. Next, use a reciprocating saw to cut out the traced pattern from the roof decking. Remove the cut out decking material from around the hole as needed.



ATTENTION: DO NOT CUT THROUGH ANY RAFTERS OR STRUCTURAL MEMBERS WHILE CUTTING THE VENT HOLE. ONLY CUT OUT THE ROOF DECKING.

Step 2 - Install the Roof Curb

Install your Attic Breeze AB-004 roof curb installation kit per the included instructions. When complete, please proceed to the next section. If installing an as-built or third party roof curb box and flashing system, the roof curb should be constructed with dimensions of 23 1/2" x 23 1/2" x 6" and designed to support a weight load of at least 30 LBS. Please consult your roof curb provider for proper installation and flashing instructions.

Mount your roof curb to the framing structure or decking of the roof as required. Remove battens as needed in order to mount the roof curb flush to the decking. Position the roof curb over the vent hole, squaring the curb with your roof tiles. Securely fasten the roof curb in place and replace roof tiles as needed up to the installed curb. Secure the tiles as needed and flash in the roof curb installation as required for your choice of flashing system.

Step 3 - Remote Mounted Solar Panel

If your Attic Breeze fan is equipped with a unit mounted (attached) solar panel, please proceed to the next section. For Attic Breeze models featuring a remote mounted solar panel, the solar panel will be mounted prior to installation of the fan unit. Begin by locating the power cable included with your Attic Breeze solar attic fan. Make sure the power cable is long enough to reach the location where the remote solar panel will be installed.



If additional power cable length is needed for your installation, Attic Breeze offers a 25 foot extended power cable as an available option.

Route the power cable through the attic, starting from the vent hole area to the location where your remote solar panel will be installed and secure the power cable in place. The power cable may be routed out of the attic by bringing the cable through an existing passive vent, penetrating a gable wall and running the cable along the roof eave, or simply routing the power cable directly through the roof. When making any wall or roof penetration, caulk around the penetration using a roof-grade weatherproof sealant. Install the solar panel mounting brackets per the instructions included with your specific Attic Breeze bracket kit. Plug in the power cord to the connector on back of the remote solar panel and securely mount the solar panel/bracket assembly as required to your roof or structure.

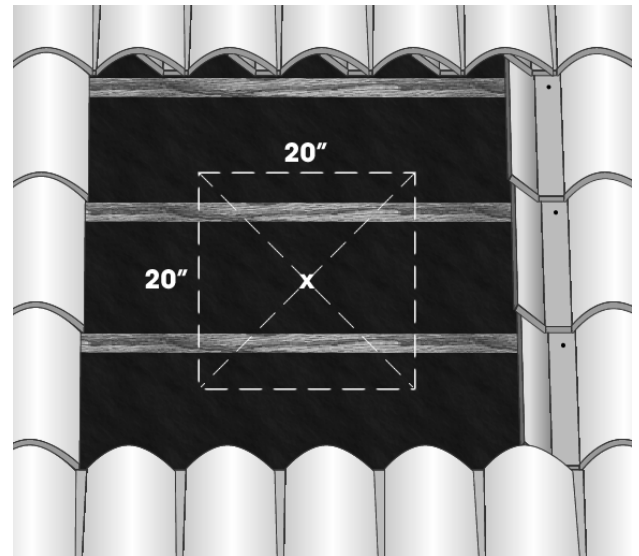


Figure 1 - Cutting the Hole

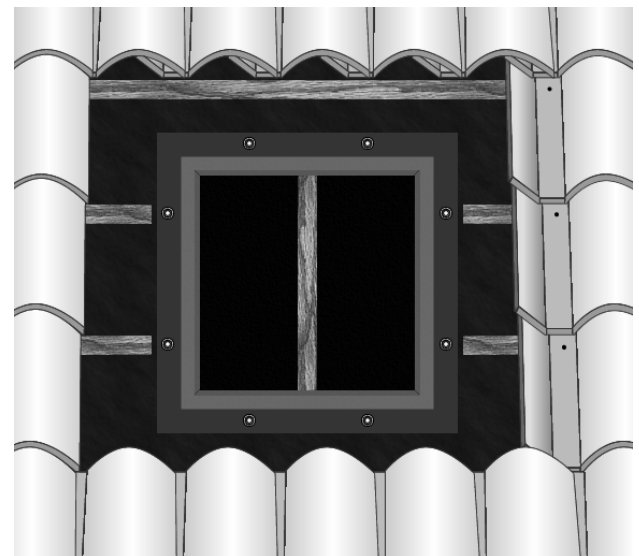


Figure 2 - Installing the Roof Curb

Step 4 - Mount the Fan

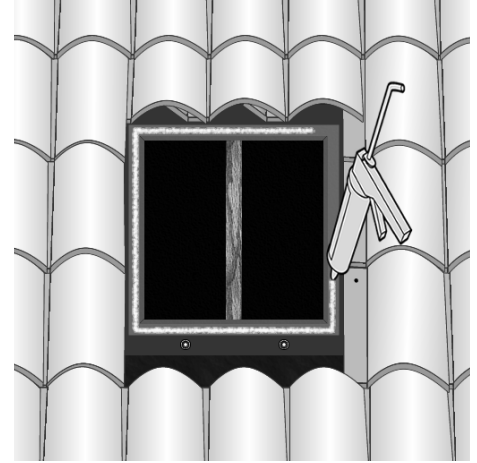
Remove all packaging material and tape from your fan. Position the fan so that it is centered with the vent hole and allow the control cable to hang freely from the bottom of the fan unit. Locate the control switch (**red bag**) included with your solar fan, or if installing a Breeze Mate® control system, please follow the instructions included with that product at this time. Plug the control switch (or Breeze Mate® cable) into the control cable 4-prong plug. For models featuring a remote mounted solar panel, plug the power cable from the solar panel into the 2-prong plug on the control cable.



ATTENTION: KEEP THE SOLAR PANEL COVERED DURING INSTALLATION. After the control switch is connected, your Attic Breeze solar fan may begin operating immediately when exposed to sunlight.

Caulk around the top of the roof curb box using the weatherproof sealant and position the fan over the roof curb (see Figure 3). Align the fan unit with the vent hole so that the sticker "**INSTALL THIS SIDE TOWARDS GROUND**" is facing the correct direction. The fan unit can also be turned 90 degrees from this position to allow for better solar panel sun exposure if needed (ex. East or West facing roof orientation).

With all fan cables connected and hanging inside the roof curb, mount the fan unit over the roof curb box and flashing, securing the fan to the sides of the roof curb box using three self-tapping screws per side. Apply additional sealant to weatherproof the installation as needed.



Adjusting the Solar Panel

The solar panel on your Attic Breeze solar attic fan may either be left down in the horizontal mounted position as received from the factory, or the solar panel bracket may be raised to pivot the solar panel toward the south in order to get better sun exposure.

To raise the solar panel, first loosen the set bolts on the solar panel mounting brackets using a 7/16" wrench as shown in Figure 4. Raise the solar panel to the desired tilt angle using the provided adjustment slots and tighten the set bolts.



DO NOT OVER TIGHTEN THE SET BOLTS! You may damage your bracket if too much torque is applied to the set bolts.



ATTENTION: Do not raise the solar panel if installing this product in an area of either Florida or Texas that has been designated as a high velocity wind zone area. The solar panel must remain in the flat horizontal position due to building code requirements.

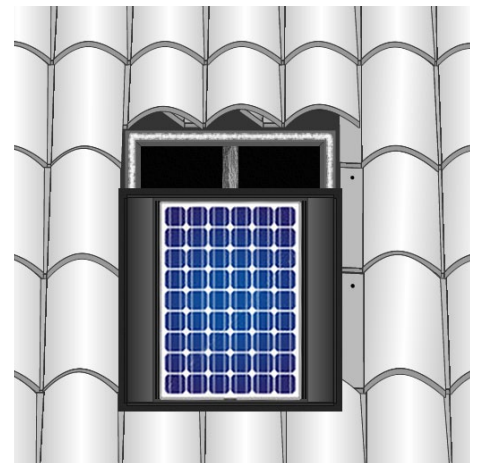


Figure 3 - Mounting the Fan

Warranty Registration

Attic Breeze offers an industry leading LIFETIME WARRANTY on your new solar attic fan. For more information about the terms and conditions of our warranty, please see our website for details. Thank you for choosing Attic Breeze!



YOUR WARRANTY MUST BE REGISTERED WITHIN 90 DAYS OF INSTALLATION. Please visit our website at www.atticbreeze.net to register your warranty.

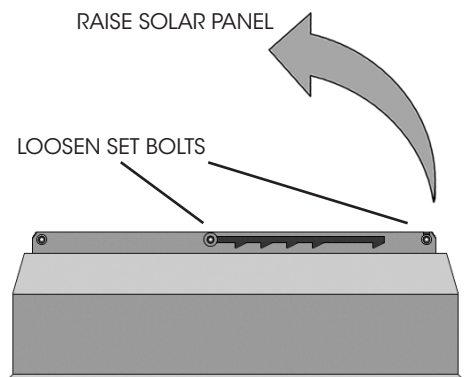


Figure 4 - Adjusting the Solar Panel