

**PRODUCT: RECTANGULAR - WALL VENT CAP | (R\_\_\_\_)**

**MATERIALS:** GALVANIZED, ALUMINUM & POWDER COATED

**SIZES:** 3.25 X 10", 3.25 X 12", 3.25 X 14" | SCREEN ONLY, DAMPER ONLY, DAMPER & SCREEN



"A Tradition of Quality Since 1937"

*Artis Metals Company*

**PRODUCT HIGHLIGHTS**

THE RECTANGULAR WALL CAP IS IDEAL FOR USE AS KITCHEN FAN EXHAUST. HEAVY DUTY CONSTRUCTION WITH SPRING CLOSURE DAMPER AND WEATHER SEAL FOR INCREASED ENERGY EFFICIENCY AND NOISE REDUCTION.

- HOOD DESIGN PREVENTS WIND INDUCED RATTLING AND RAIN PENETRATION
- DAMPER IS SPRING LOADED AND HAS A FOAM SEAL TO ENSURE MAXIMUM NOISE AND WEATHER PROTECTION

**MATERIAL & COLOR KEY**

**SPECIFY MATERIAL BEFORE PART**

LEAVE BLANK = GALVANIZED (R #)

S = STAINLESS STEEL (R<sub>S</sub> #)

A = ALUMINUM (R<sub>A</sub> #)

**SPECIFY SCREEN OPTION AFTER SIZE**

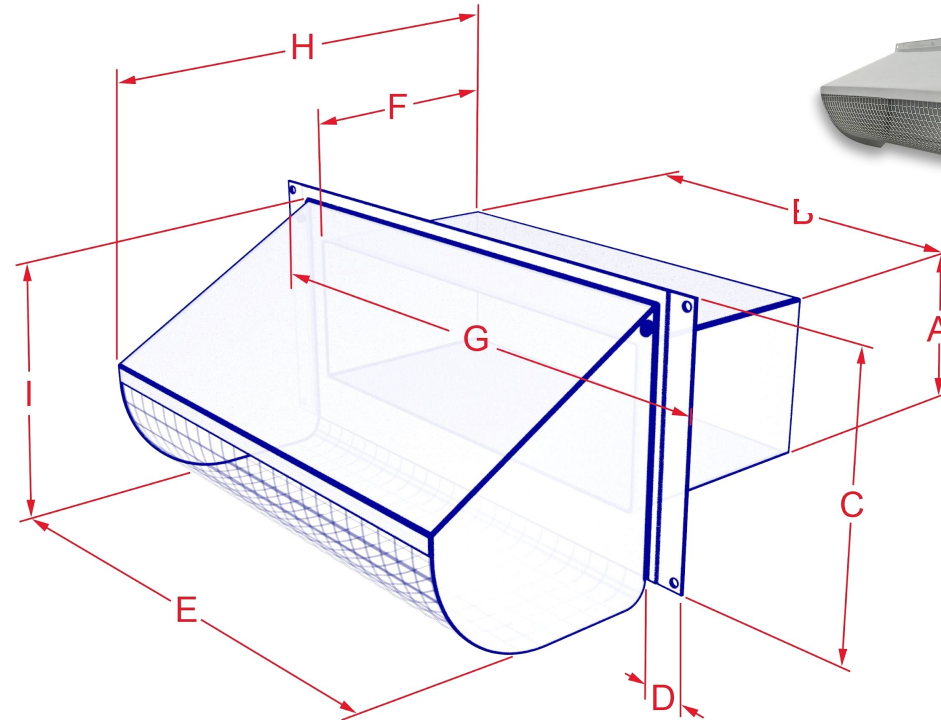
S = SCREEN AND DAMPER (RP\_S)

**SPECIFY POWDER COATED COLORS AT END OF PART**

BL = BLACK (RP\_BL)

BR = BROWN (RP\_BR)

WH = WHITE (RP\_WH)



SKU	SIZE	A	B	C	D	E	F	G	H
R__310__	3.25 X 10"	3.25	10.00	5.635	1.00	11.00	4.875	12.75	9.50
R__312__	3.25 X 12"	3.25	12.00	5.625	1.00	12.875	4.875	14.563	9.50
R__314__	3.25 X 14"	3.25	14.00	5.625	1.00	15.875	4.875	16.563	9.50



3323 W Chinden Blvd, Boise, ID 83714  
 Phone: (208) 336-1560 • Fax: 208-343-9679  
[www.artiscaps.com](http://www.artiscaps.com)



PROUD MEMBER OF  
**HARDI**  
Heating, Air-conditioning & Refrigeration Distributors International

Copyright © Artis Metals HVAC  
 Vent Manufacturer  
 2019 All Rights Reserved