

**READ AND SAVE THESE INSTRUCTIONS**

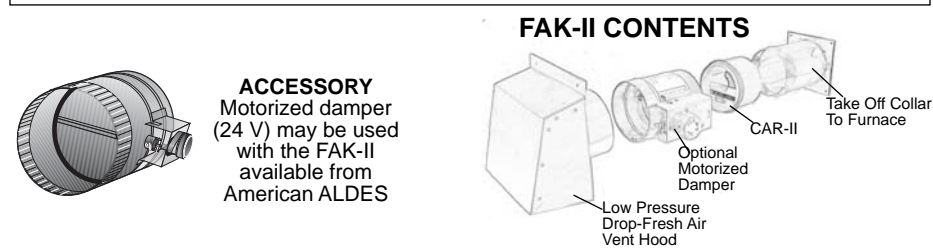
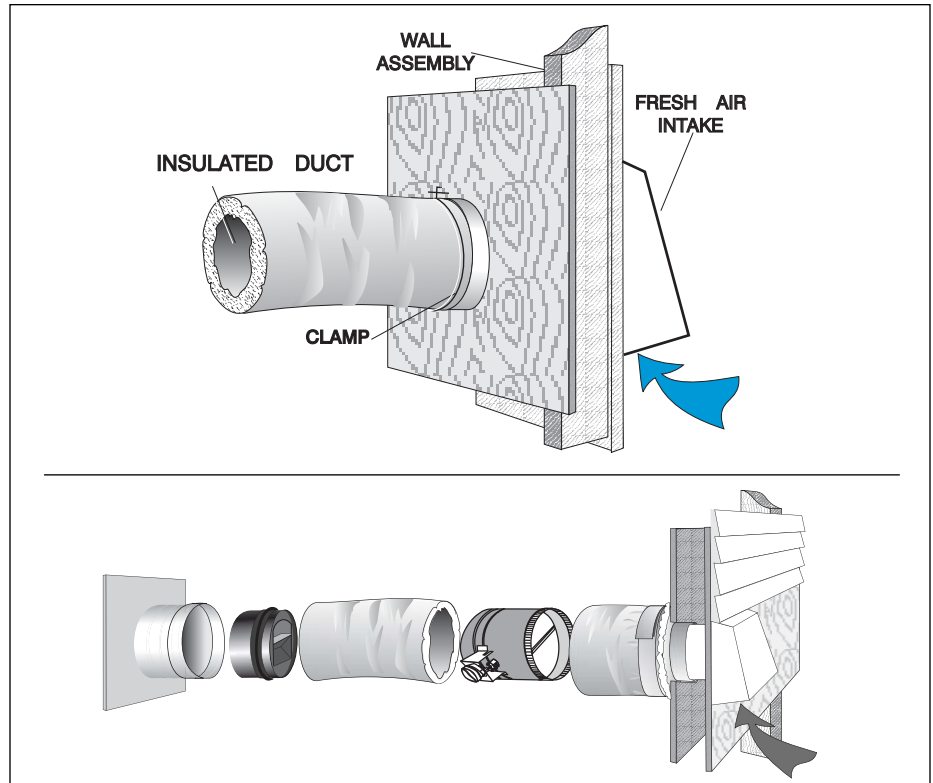
**Installation**

Other materials required: U.L. approved insulated duct, duct supports, duct clamps, caulk for the intake hood.

**Location of the fresh air intake:**

Follow local codes which may specify location of air intakes. Specifically, avoid locating the inlet in areas likely to have contaminated air, such as gas meters, driveways, near exhaust air vents from a furnace, bathroom or dryer, near an oil fill pipe, garbage container, etc. It should be located at least 12 inches above grade to avoid drawing snow or debris into the system. Locate at least three feet away from the corner of the building to avoid dust stirred up by local wind turbulence.

Cut a hole 1/8 inch larger in diameter than the duct connector on the fresh air intake through the wall, being careful to avoid any plumbing or electrical wires in the wall. Allow for beveled siding in locating the fresh air intake, so that the upper edge will fall under the siding. Apply a bead of caulk around the duct on the back side of the fresh air intake, and insert through the wall. Secure the fresh air intake to the wall with appropriate fasteners, wood screws, sheet metal or concrete anchors. Apply a second bead of caulk around the protruding duct on the interior wall surface.



Mark and cut out a circular opening matching the diameter of the takeoff provided in the kit in the return ducting to the air handler. **DO NOT CUT INTO THE HOUSING OF THE FURNACE**, as this will void the warranty of the furnace.

Install the ducting. The use of insulated U.L. approved duct with the Fresh Air Kit is recommended for all but the mildest

climates, to avoid surface condensation. Duct runs should be as straight and short as possible with a minimum of elbows. If flexible ducting is used, duct run must be no more than 20 feet. Be sure it is properly supported to avoid sags and bends which can restrict airflow. In cold climates, it is important to assure a tight seal between the house and duct vapor barriers, to avoid condensation and ice buildup around the fresh air

vent at wall penetration. If installation is done using a ring seal collar, this can be accomplished by caulking the joint between the ring seal collar and the wall. (See diagram above).

**Maintenance**

The Fresh Air Kit requires no maintenance other than checking the air intake screen to be sure it is free of debris, grass clippings, snow, etc.