

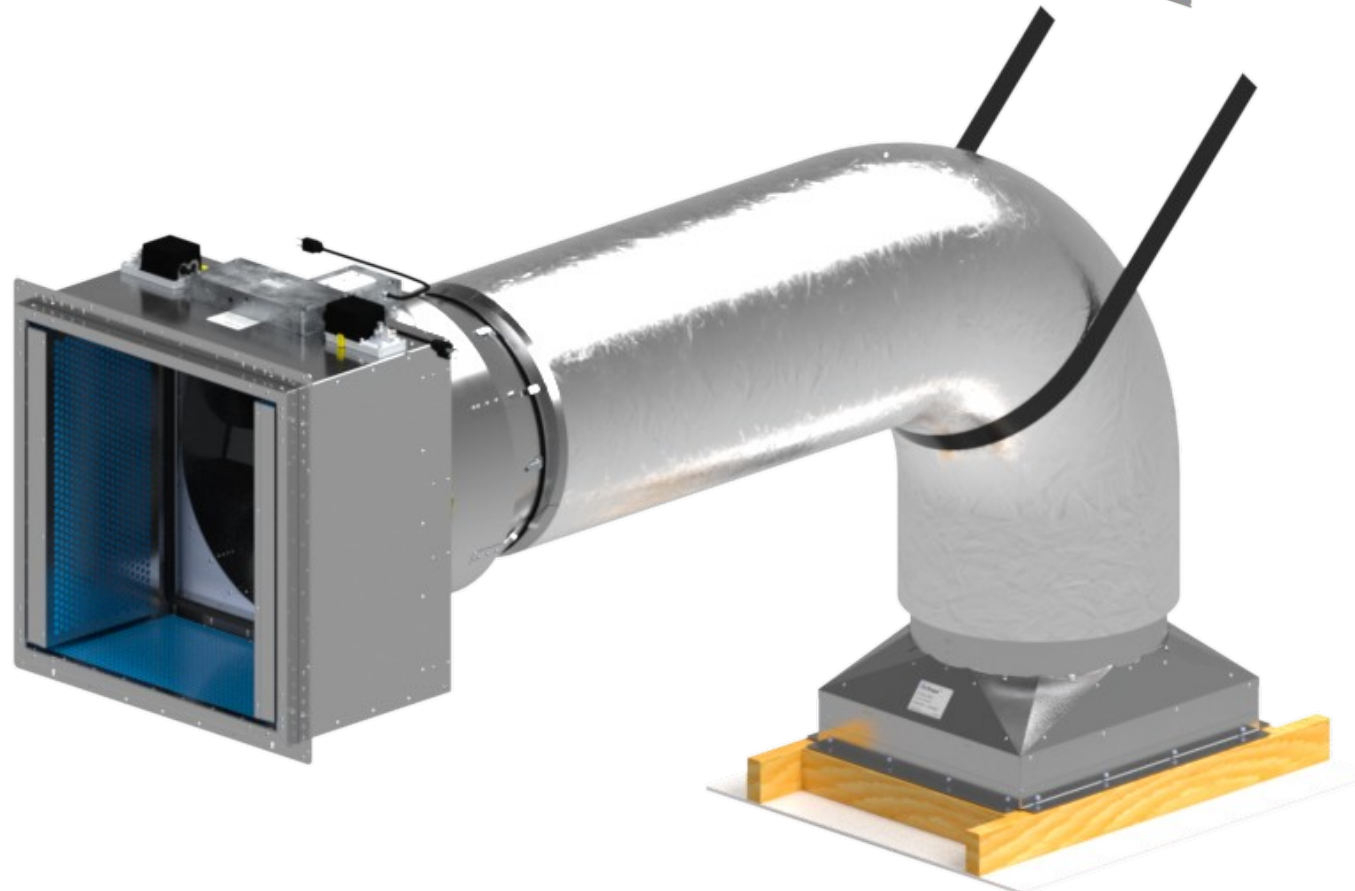
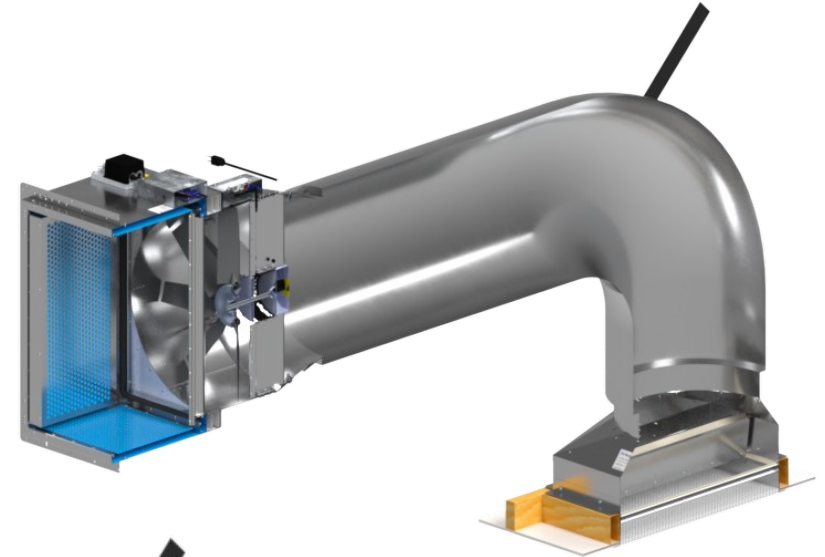


DVS-NF-D- DIRECT VENTING SYSTEM

5208 CFM, 781W, 36-68 dBA, R5


A Direct Vent System with our [patented](#) 24" fan directly mounted on an acoustical box with a motorized doors (R5). The unit fits a 30"(W) x 29.375"(H) framed opening. An Acoustical duct and Gravity Air-Door with Grille is also provided. The included [Digital Touch Controller](#) controls 10 speeds allowing for harmonic and efficiency selection in your preference. This controller also includes a 12 hour timer and dims its indicator lights when left alone.

Options available but not included are:
a remote and a removable grille

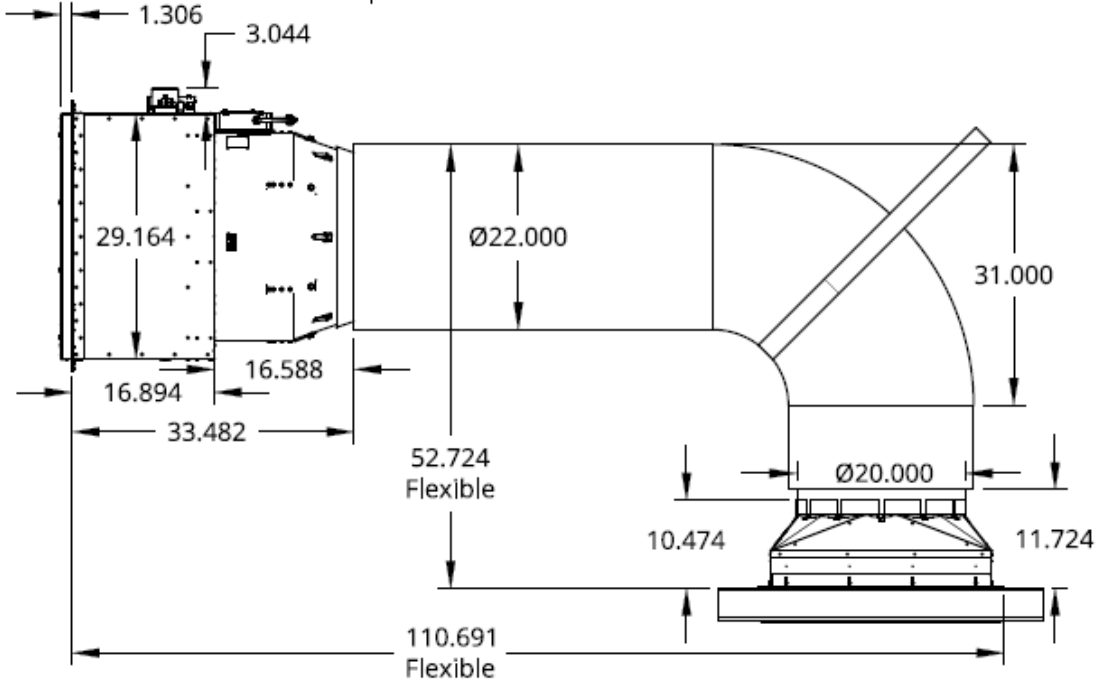
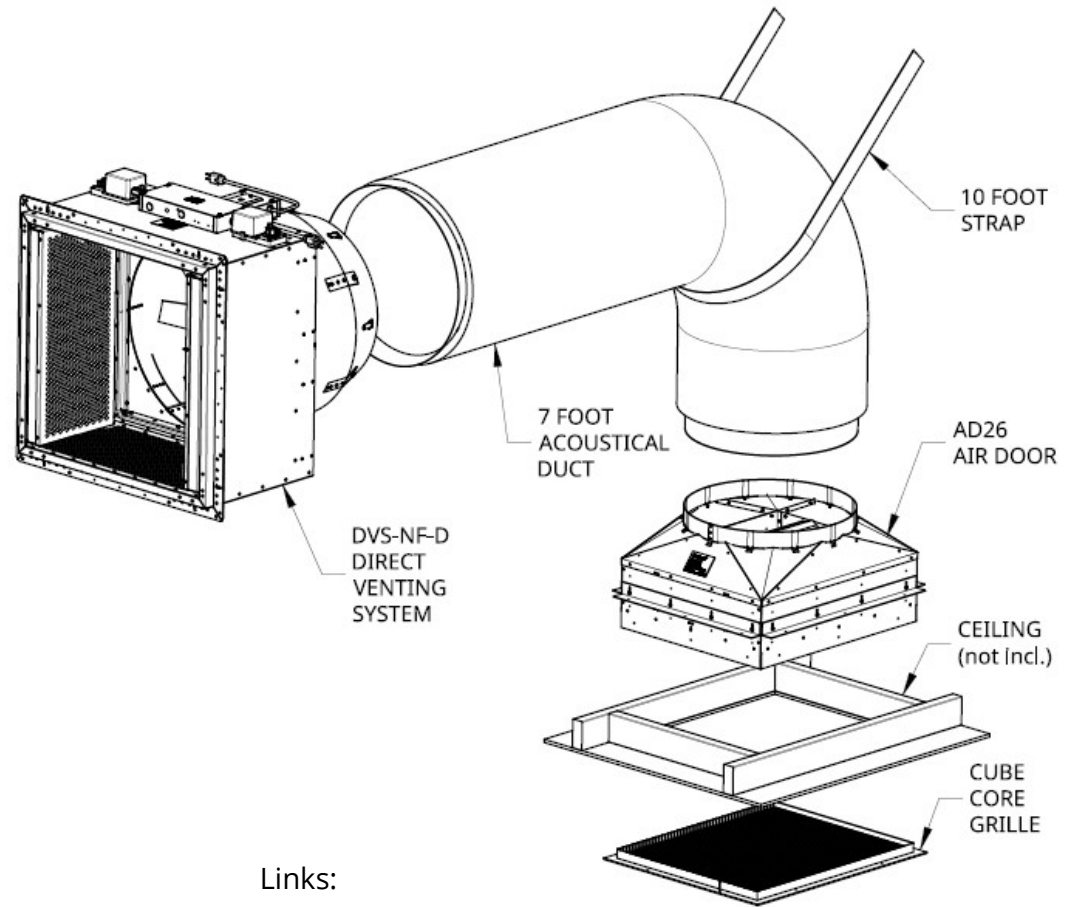
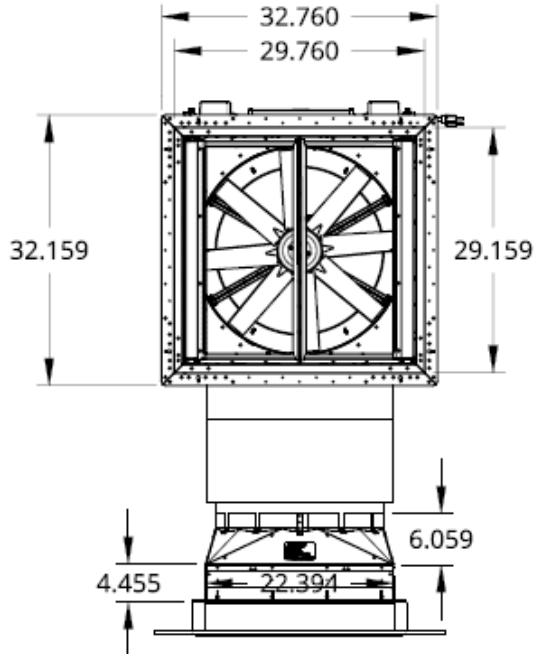


AirLab Specifications:

| Fan Speed | Power (Watts) | Air Flow CFM | Efficiency (CFM per W) |
|-----------|---------------|--------------|------------------------|
| 1 | 16.9 | 15 | 0.89 |
| 2 | 30 | 954 | 31.8 |
| 3 | 53.9 | 1713 | 31.78 |
| 4 | 94.9 | 2358 | 24.85 |
| 5 | 159.9 | 2943 | 18.41 |
| 6 | 250 | 3482 | 13.93 |
| 7 | 378 | 4075 | 10.78 |
| 8 | 554 | 4650 | 8.39 |
| 9 | 681 | 4945 | 7.26 |
| 10 | 781 | 5208 | 6.67 |

 High Efficiency Range

120VAC, 60Hz, Single Phase, 7.8A
Unit Weight = 140 lbs



Links:

www.airscapfans.com 1.866.448.4187
AirScape your house!

[How does a Whole House Fan work?](#)
The highest quality and quietest fans on the market today!

[Easy Installation, how to DIY](#)

[Check out our sister company HVACQuick.com](#)