

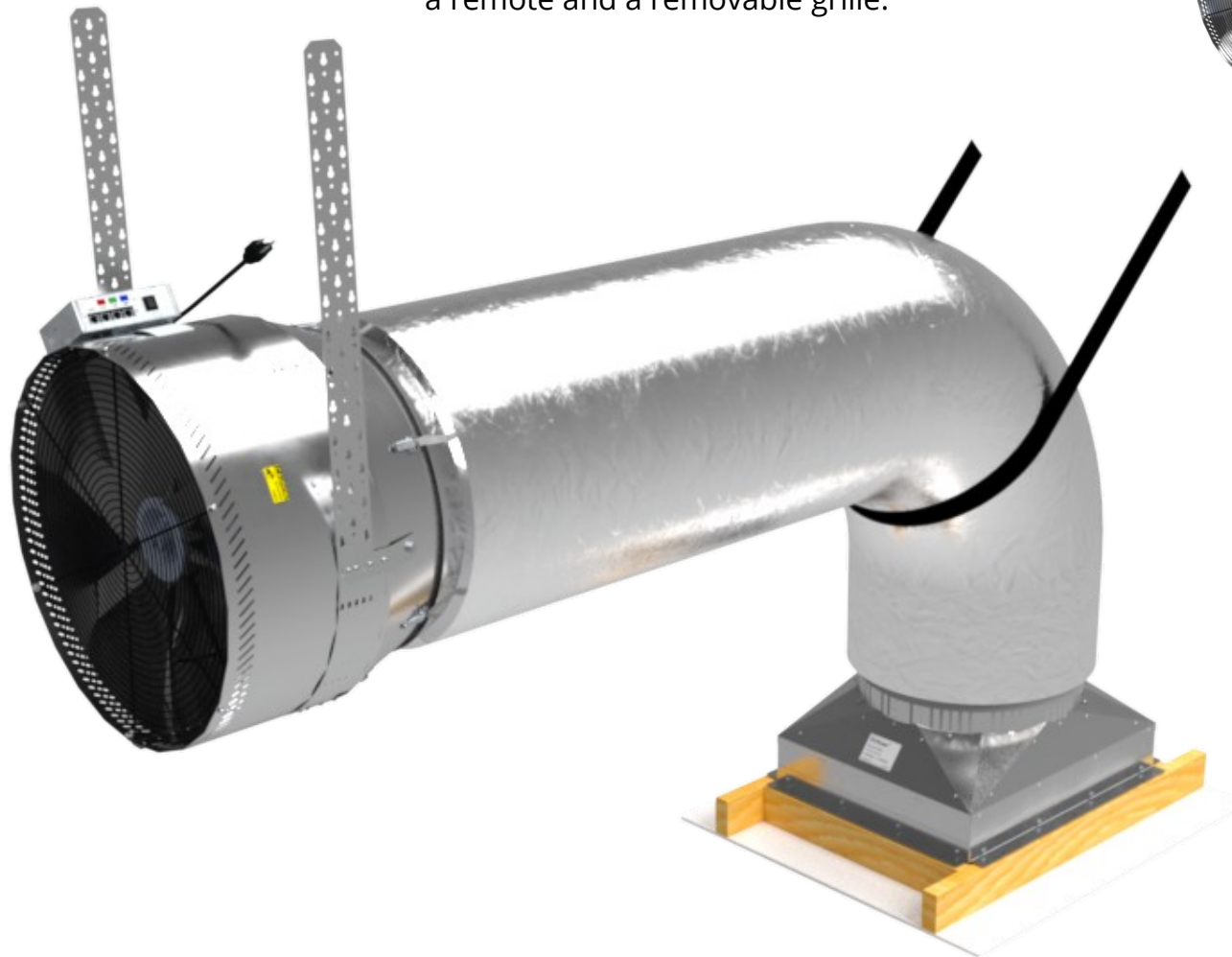
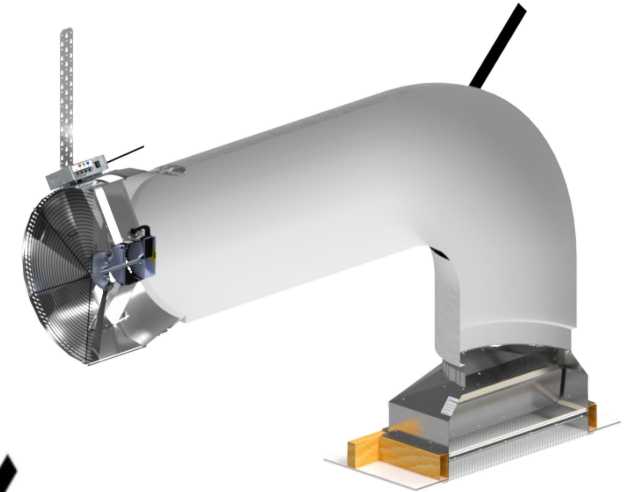


5300 Ventura Whole House Fan

5497 CFM, 902W, 36-68 dBA

Our flagship model with our [patented](#) 24" fan and a gravity Air Door. The unit fits 24" O/C framing. The included [Digital Touch Controller](#) controls 10 speeds allowing for harmonic and efficiency selection in your preference. This controller also includes a 12 hour timer and dims its indicator lights when left alone.

Options available but not included are:
a remote and a removable grille.



AirLab Specifications:

Fan Speed	Power (Watts)	Air Flow CFM	Efficiency (CFM per W)
1	16.9	15	0.89
2	30	954	31.8
3	53.9	1713	31.78
4	94.9	2358	24.85
5	159.9	2943	18.41
6	250	3482	13.93
7	378	4075	10.78
8	554	4650	8.39
9	781	5208	6.67
10	902	5497	6.09

 High Efficiency Range

120VAC, 60Hz, Single Phase, 7.52A
Unit Weight = 80 lbs

Links:

www.airscapefans.com 1.866.448.4187

[How does a Whole House Fan work?](#)

[Easy Installation, how to DIY](#)

AirScape your house!
The highest quality and quietest fans on the market today!

[Check out our sister company HVACQuick.com](#)

