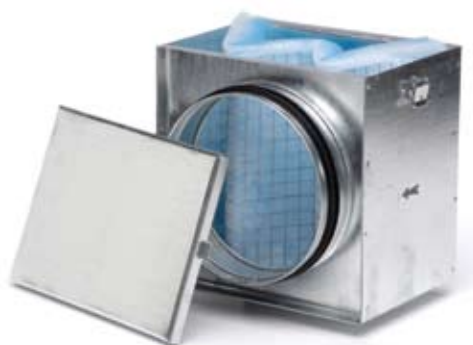


## MIXVENT FILTER System (TD-MIXVENT + MFL Filtering Box)

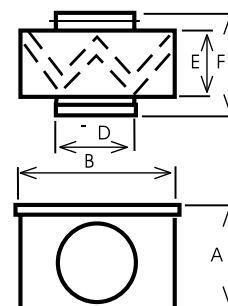
This system is used when the characteristics of the installation require filtered external air to be introduced, to prevent the entry of dust and impurities to the area being ventilated. The MIXVENT FILTER system is composed of a standard TD-MIXVENT fan (from model 100) coupled to a filtering box from the MFL series.

The MFL filtering boxes are the Gravimetric EU3 type, which are capable of filtering between 80-95% of particles greater than 10 microns.



The MFL filtering boxes have an easy open cover, in order to quickly change the filtering element.

### Dimensions (inches/mm)



Type	A	B	D	E	F
MFL-100	7 7/8 200	7 7/8 200	3 15/16 100	6 1/16 154	7 11/16 196
MFL-125	7 7/8 200	7 7/8 200	4 15/16 125	6 1/16 154	7 11/16 196
MFL-150	8 11/16 220	8 11/16 220	6 5/16 160	6 1/16 154	7 11/16 196
MFL-200	9 9/16 243	9 5/8 244	7 7/8 200	6 1/16 154	7 15/16 202
MFL-250	11 9/16 293	11 7/8 294	9 13/16 250	6 1/16 154	8 1/8 206
MFL-315	13 7/16 342	13 1/2 343	12 3/8 315	6 1/16 154	8 1/8 206



# TD-MIXVENT assembly accessories

Specific assembly accessories for the following series

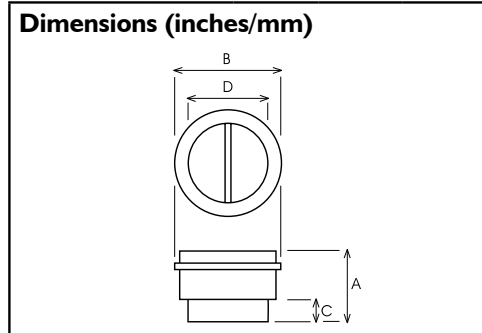


## MCA

**Backdraft dampers** are installed at the fans' discharge. They prevent the entry of odors, air currents and prevent heat leaks when the exhauster is not in operation.

For application to models in the TD, TDx2, TDx3, and TWIN Series.

Model	Type TD - TDx2 - TDx3 - TWIN
MCA-100	100
MCA-125	125
MCA-150	150
MCA-200	200
MCA-250	250
MCA-315	315



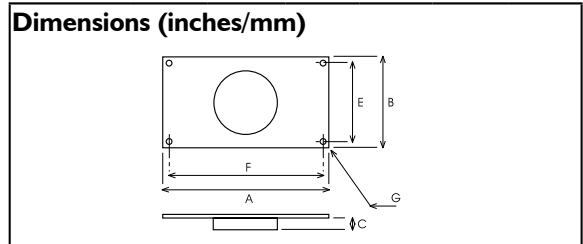
Model	A	B	C	D
MCA-100	4 3/16 107	4 3/8 111	1 1/4 31	3 11/16 94
MCA-125	4 3/16 107	5 3/8 136	1 1/4 31	4 11/16 119
MCA-150	4 3/4 121	6 7/16 163	1 3/8 35	5 13/16 147
MCA-200	5 3/16 131	8 7/16 214	1 3/8 35	7 3/4 197
MCA-250	6 3/16 164	10 3/8 264	1 5/8 42	9 3/4 248
MCA-315	8 1/16 205	13 330	1 15/16 50	12 5/16 312



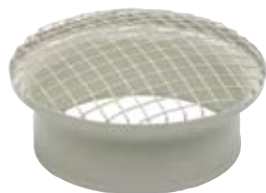
## MAR

**Connections for rectangular ducts** enable devices from the TD, TDx2 and TDx3 series to be connected to a rectangular duct.

Model	Type TD - TDx2 - TDx3 TWIN	Nominal dim. of ducting L x H (in/mm)
MAR-100	100	9 x 6 224 x 140
MAR-125	125	9 x 6 224 x 140
MAR-150	150	11 x 7 280 x 180
MAR-200	200	12 x 8 315 x 200
MAR-250	250	16 x 10 400 x 250
MAR-315	315	20 x 12 500 x 315



Model	A	B	C	E	F	G
MAR-100	10 3/8 264	7 1/16 180	1 5/16 33	6 5/16 160	9 5/8 244	3/8 9
MAR-125	10 3/8 264	7 1/16 180	1 5/16 33	6 5/16 160	9 5/8 244	3/8 9
MAR-150	12 5/8 320	8 11/16 220	1 7/16 37	7 7/8 200	11 13/16 300	3/8 9
MAR-200	14 355	9 7/16 240	1 7/16 37	8 11/16 220	13 3/16 335	3/8 9
MAR-250	17 5/16 440	11 7/16 290	1 5/8 42	10 5/8 270	16 9/16 420	3/8 9
MAR-315	21 1/4 540	14 355	2 1/16 52	14 355	20 1/2 520	3/8 9



## MRJ

**Grills** fit on the suction and the discharge sides of the installation. They prevent the entry of foreign bodies which could damage the fan.

For application to the models in the TD, TDx2, TDx3 and TWIN Series.

Model	Type TD - TDx2 - TDx3 - TWIN
MRJ100	100
MRJ125	125
MRJ150	150
MRJ200	200
MRJ250	250
MRJ315	315