



Seiho International, Inc.

SUBMITTAL SHEET

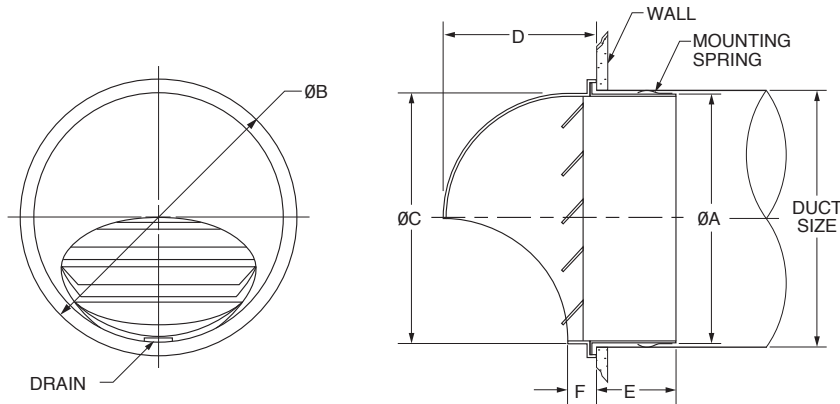
www.seiho.com

Model: SFZ

Dryer Vent

- Large Vents Reduce Clogging
- All Aluminum Construction

- Material: Aluminum
- Standard Finish: Clear Anodized



| MODEL | DUCT SIZE | A | B | C | D | E | F | FREE AREA |
|-------|-----------|---------|---------|---------|---------|--------|------|-----------|
| SFZ 4 | 4 | 3 13/16 | 4 3/4 | 3 25/32 | 2 11/16 | 1 9/16 | 9/16 | 0.04 |
| SFZ 6 | 6 | 5 23/32 | 6 29/32 | 5 29/32 | 3 15/16 | 2 9/16 | 3/4 | 0.13 |

Product information is subject to change without notice. All dimensions in inches.

JOB NAME: _____
 LOCATION: _____
 ARCHITECT: _____
 ENGINEER: _____
 CONTRACTOR: _____

SUBMITTED BY: _____

DATE: _____

Model SFZ
 Dryer Vent

Form No.430-22