

PRIMEX HVAC VENTING

Product Specification Sheet

PRODUCT MODEL CODE

SV28

Soffit Intake and Exhaust Vent

1. PRODUCT SUMMARY

The Primex Soffit Intake and Exhaust Vent (SV28) is ideal for 4-8 inch ducts that require venting with a damper.

This versatile unit allows for the termination of kitchen, bath and dryer vents. The SV28 is designed to prevent pests, birds and rodents from entering the home.

Multiple choices depending on the application: no-screened, with damper and screen, with screen only as intake, with damper and no screen as dryer vent.

2. PRODUCT DIMENSIONS

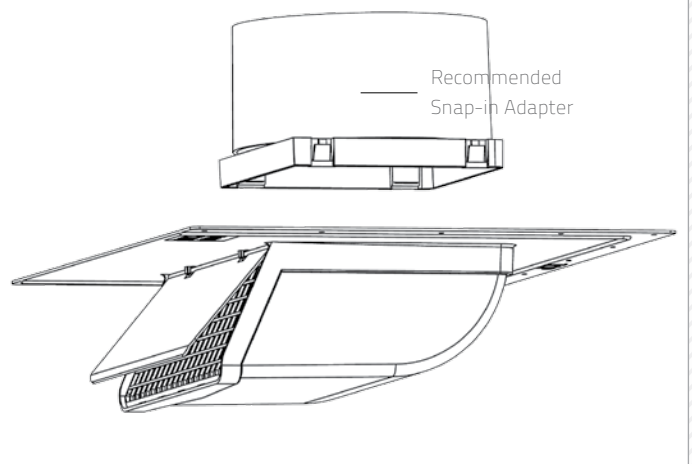
HOOD SIZE: H: 10" / W: 10.5" / D: 4.375"

3. FEATURES & BENEFITS

- Low profile, one-piece molded hood eliminates leaky joints and provides maximum water protection.
- Vents odor and moisture away from the home.
- Optional screen and removable damper.
- Available for intake or exhaust applications.
- Snap-in adapters ensure a tight seal.
- Quick and easy to install.
- Made with UV-protected Polymer resin.
- Available in Snow White and Taupe.

4. COLOURS

- Snow White (01)
- Taupe (23)



FOR MORE INFORMATION CONTACT:

20160 92A Avenue Langley BC V1M 3A4 Canada
📞 1.877.881.7875 📧 info@primexfits.com primexfits.com

primex  Fit everything. Together.

PRIMEX HVAC VENTING

Product Specification Sheet

PRODUCT MODEL CODE

SV28

Soffit Intake and Exhaust Vent

5. SIZING/PART NUMBER

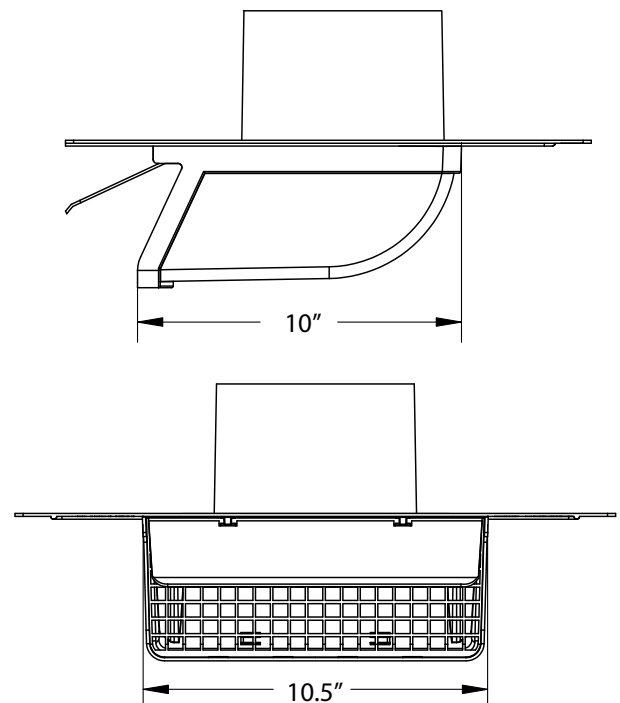
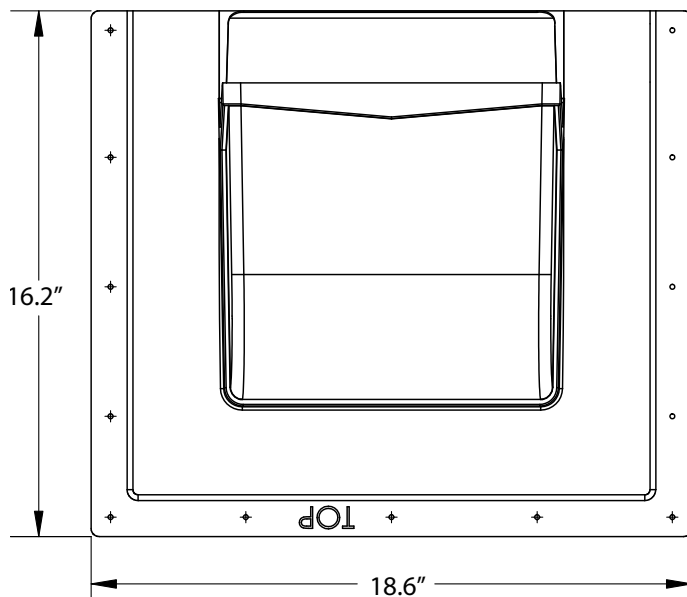
SOFFIT VENTS

PART #	FREE AREA	DESCRIPTION	PKG
SV28	27.6 sq. in.	Soffit vent with screen	6/box
SV28NS	40.3 sq. in.	Soffit vent without screen	6/box

SNAP-IN ADAPTERS

PART #	COLLAR SIZE	FREE AREA	DESCRIPTION	PKG
RV28-4	4" Diameter	12.6 sq. in.	Duct adapter: 4"	30/pkg
RV28-5	5" Diameter	19.6 sq. in.	Duct adapter: 5"	30/pkg
RV28-6	6" Diameter	27.6 sq. in / 27.6 / 28.3	Duct adapter: 6"	30/pkg
RV28-7	7" Diameter	27.6 sq. in / 27.6 / 38.5	Duct adapter: 7"	30/pkg
RV28-8	8" Diameter	27.6 sq. in / 27.6 / 40.3	Duct adapter: 8"	30/pkg

6. TECHNICAL DRAWINGS



FOR MORE INFORMATION CONTACT:

20160 92A Avenue Langley BC V1M 3A4 Canada
 1.877.881.7875 info@primexfits.com primexfits.com

primex  Fit everything. Together.