

## No Rust, No Leaks, No Fading

When it comes to choosing vents for HVAC systems, consider some of the long term differences between metal and plastic.

Metal options are often made with multiple leaky seams, can rust over time, dent easily, and if painted will chip or scratch.

Primex plastic HVAC venting options, by contrast, offer many advantages. Here are six of them.



WEATHER AND SUN PROTECTED



ENHANCED RAINDSCREEN COMPATIBILITY



DENT AND CHIP RESISTANT



SEAMLESS AND LEAK-FREE



GREATER COLOUR SELECTION



LIGHTWEIGHT AND NO SHARP EDGES

### At Primex, We Know Rain

No other HVAC Venting company knows more about the relationship between the building envelope and HVAC systems.



[facebook.com/PrimexVents](https://facebook.com/PrimexVents)



[twitter.com/primexvents](https://twitter.com/primexvents)



LinkedIn: 'Primex HVAC Venting'



G+: 'Primex HVAC Venting'



YouTube: 'Primex HVAC Venting'



[www.primexfits.com](http://www.primexfits.com)

1.877.881.7875 or 1.604.881.7875

Primex Manufacturing Ltd. © 2016  
Product specifications are subject to change.

## Surface Mount Series

Introducing the SM Series, specifically designed for retrofit applications



**primex**  
**HVAC VENTING**

HVAC Venting for Today's Building Envelope



Where the building envelope  
and HVAC systems meet.

# SM Series

## Surface Mount Wall Caps

The Primex Surface Mount Wall Vent (SM Series) is the perfect replacement for existing bathroom or range hood exhaust terminations. The SM Series is easy to install and aesthetically-pleasing.

The seamless, low-profile, one-piece design accommodates standard 4-6 inch ducting. UV-stabilized polymer resin offers long-lasting protection while reducing leaks.

### FEATURES & BENEFITS

- Eliminates leaky joints while maximizing water protection with one-piece, seamless design.
- Suitable for intake and exhaust applications via removable damper.
- Spring loaded damper reduces wind flapping.
- Made with UV-stabilized durable polymer resin.
- Highly resistant to mechanical impact.
- Surface mounted for quick and easy installation.
- Removable screen for dryer venting applications.

### Eliminate Leaks

Seamless design maximizes water protection.

### Easy to Clean

Removable screen allows for fast, easy access to ducting.

### Quiet Operation

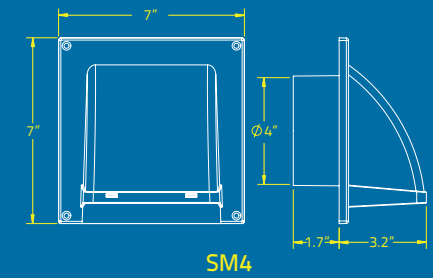
Spring loaded damper reduces wind flapping.

### Easy to Install

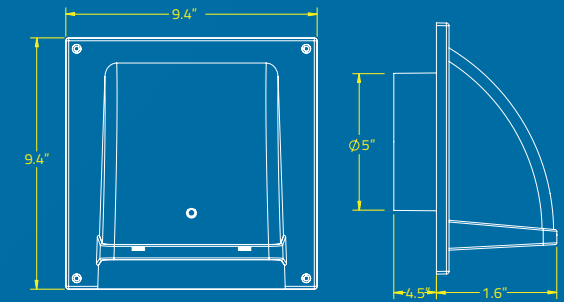
Surface mounted for fast, simple installation.

### Won't Fade or Crack

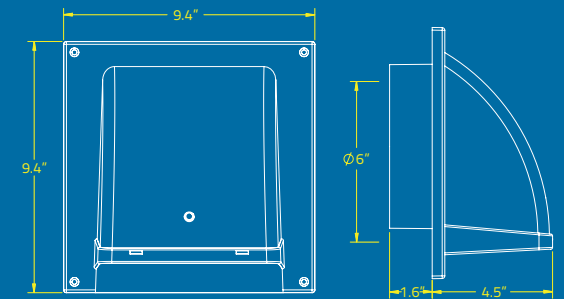
UV-stabilized resin protects from sun damage.



SM4



SM5



SM6

### Long Lasting & Durable

Dent and fade resistant engineered plastic.



Snow White



Taupe



Light Grey



Dark Brown