

## VCCA-20ULS SERIES

### APPLICATIONS

- Designed for automatic collection and removal of condensate from air conditioning, refrigeration, and dehumidification equipment when gravity drainage is not possible or practical. The VCCA Series' low tank height allows these condensate pumps to be used where other condensate pumps will not fit.
- Suitable for high efficiency condensing furnace and boiler equipment applications.

### FEATURES

- 1/30 hp motor
- Low profile for limited space applications
- 1/4-turn, twist-off locking check valve discharge adapter for 3/8" ID tubing
- Additional check valve adapter included for 1/4" ID vinyl tubing
- Pump switch test lever (for manual test operation)
- Rubber feet on bottom of tank to isolate pump when placed on hard surface
- 3 inlet openings suitable for 3/4" PVC pipe
- Easy-to-knock-out plugs in two of the inlet openings
- Includes overflow detection switch with 5" leads
- ABS tank, motor cover, and volute
- Intermittent liquid temperature up to 120 °F
- Stainless steel motor shaft
- Thermal overload protection
- cCSAus



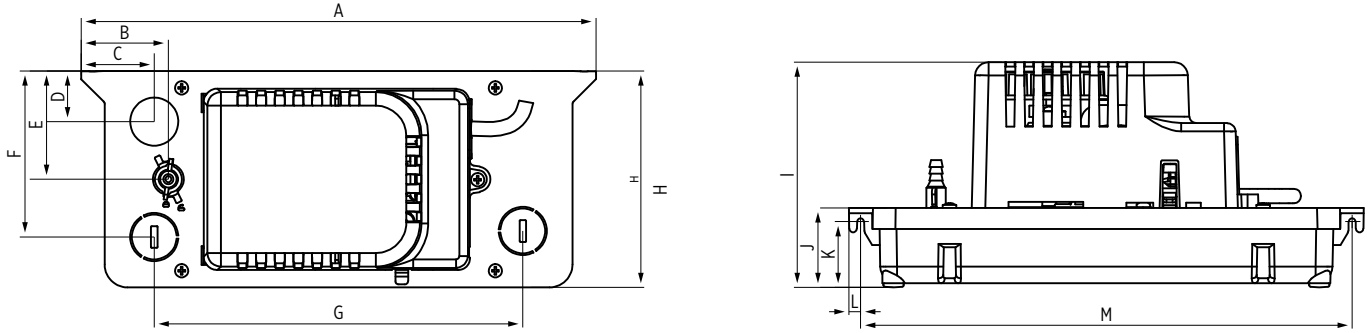
### SERIES SPECIFICATIONS

Item No.	Model No.	HP	Input Voltage	Hz	Amps	Watts	Discharge Size	Performance GPH (LPH) @ Head*				Shut-Off (ft)	PSI	Cord (ft)	Weight (lbs)
								1'	5'	10'	18'				
554201101	VCCA-20ULS	1/30	115	60	1.5	93	3/8" (9.5mm) OD Barded	80 (303)	70 (265)	45 (171)	10 (38)	20 (6.1m)	8.6	6 (1.8m)	5.4 (2.5 kg)
554202101	VCCA-20ULS	1/30	230	50/60	0.6/0.5	75	3/8" (9.5mm) OD Barded	80 (303)	70 (265)	45 (171)	10 (38)	17 (5.2m)	7.4	6 (1.8m)	5.4 (2.5 kg)

Note: Flow rating is through check valve

# VCCA-20ULS SERIES

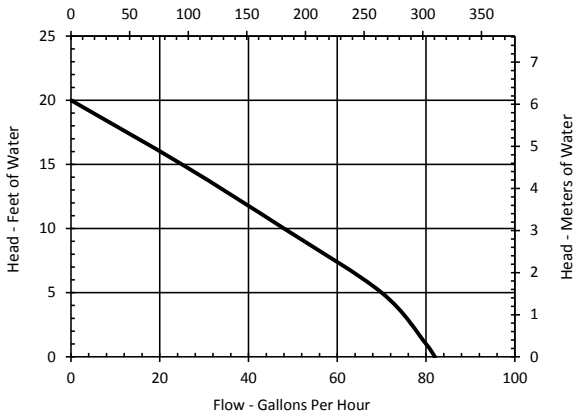
## ENGINEERING DATA



A	B	C	D	E	F	G	H	I	J	K	L	M
11.96" (303.7 mm)	2.02" (51.4 mm)	1.70" (43.2 mm)	1.18" (30 mm)	2.52" (64 mm)	3.85" (98 mm)	8.55" (217.4 mm)	5.02" (127.6 mm)	5.23" (133 mm)	1.85" (47 mm)	1.52" (38.8 mm)	0.27" (6.9 mm)	290" (11.42 mm)

## PERFORMANCE DATA

VCCA-20ULS/VCCA-20-P  
115V and 230V, 60HZ  
Flow - Liters Per Hour



## CONSTRUCTION

<b>Motor</b>	1/30 hp
<b>Discharge</b>	3/8" O.D. barbed
<b>Housing/Tank Cover</b>	ABS
<b>Motor Cover</b>	ABS
<b>Volute</b>	ABS
<b>Tank</b>	ABS
<b>Impeller</b>	Polypropylene
<b>Check Valve</b>	Acetal