

Now Available with EC motors
See SD-EC for more information

SD SERIES

Standard wall exhaust fans.
Efficient, low maintenance and easy to install



8" & 10" MODELS



12" TO 24" MODELS



30", 36", 42" & 48" MODELS
WITH ALUMINUM LOUVERS

Canarm/LFI's standard fans follow a tradition of quality in design, materials and construction. All our standard fans are developed to be efficient and economically priced. Fans are available in single, two and variable speed models. All variable speed standard fans use an energy efficient variable speed, dual voltage motor and blade combination. To determine the proper Canarm/LFI fan for your applications, use the formula and table shown on back of page.

FEATURES

8" & 10" Models

- Smooth, quiet, reliable, maintenance-free operation
- Durable steel construction with grey powder coat finish
- 2 speed fan with high efficiency Euro design external rotor motor
 - Totally enclosed with sealed ball bearings
 - Pull chain speed control
 - 9 foot cord with 115 volt, 3-prong plug
- Swept back, high efficiency, low noise blade design
- Quiet, aluminum shutters with tie bar to maximize airflow and a magnet to prevent flapping and provide a superior seal
- Zinc plated OSHA guard
- Fans shipped completely assembled
- Easy to install! Mount fan using four screws, plug it in and turn it on



12" to 48" Models

- Single, two and variable speed models are available.
- All fans use a totally enclosed, thermally protected motor.
- Rugged steel welded box housing has a durable powder coated finish.
- Aluminum louver shutters are supported by long life nylon bushings (30", 36", 42" & 48" have aluminum louvers).
- 12" - 24" models have heavy wire chrome plated OSHA guards on intake side of fan.
- 30", 36", 42" & 48" models have grey powder coated guards.
- All fans are shipped completely assembled.



Fans up to 24" can be shipped via UPS.

8" - 24" sizes: Now upgraded with tie bar shutters and magnets for quieter operation and superior seal.

SPECIFICATIONS

| MODEL | SPEED | BLADE DIAMETER | RPM | HP | VOLTAGE | AMPS (FLA) | WEIGHT (LBS) | dB(A) @5 ft | CFM @ STATIC PRESSURE | | | | FRAMING DIMENSIONS |
|----------|----------|----------------|-----------|-----|---------|------------|--------------|-------------|-----------------------|-----------|-----------|--------|--------------------|
| | | | | | | | | | 0.00" | 0.10" | 0.125" | 0.25" | |
| SD08 | Two | 8" | 1600/1300 | 25W | 115 | 0.2 | 13 | 48 | 360/292 | 270/150 | 230/110 | -- | 11" X 11" |
| SD10 | Two | 10" | 1480/1150 | 60W | 115 | 0.5 | 15 | 55 | 500/388 | 420/300 | 400/250 | -- | 13" X 13" |
| S12-E1 | Single | 12" | 1625 | 1/4 | 115 | 2.7 | 28 | 63 | 1640 | 1540 | 1510 | 1390 | 15" X 15" |
| S12-E2 | Two | 12" | 1725/1140 | 1/4 | 115 | 3.4 | 32 | 64 | 1650/1090 | 1550/950 | 1520/930 | 1390/0 | 15" X 15" |
| S12-EVD | Variable | 12" | 1625 | 1/3 | 115/230 | 3.8/1.9 | 32 | 60 | 1650 | 1540 | 1510 | 1390 | 15" X 15" |
| S14-E1 | Single | 14" | 1625 | 1/4 | 115 | 2.7 | 30 | 67 | 2170 | 2070 | 2030 | 1860 | 17" X 17" |
| S14-E2 | Two | 14" | 1725/1140 | 1/4 | 115 | 3.4 | 34 | 65 | 2180/1350 | 2080/1190 | 2060/1160 | 1890/0 | 17" X 17" |
| S16-E1 | Single | 16" | 1625 | 1/4 | 115 | 2.7 | 33 | 68 | 2370 | 2270 | 2210 | 2060 | 19" X 19" |
| S16-E2 | Two | 16" | 1725/1140 | 1/4 | 115 | 3.4 | 36 | 69 | 2380/1640 | 2280/1490 | 2230/1430 | 2070/0 | 19" X 19" |
| S16-EVD | Variable | 16" | 1625 | 1/3 | 115/230 | 3.8/1.9 | 36 | 63 | 2370 | 2270 | 2210 | 2063 | 19" X 19" |
| S18-F1 | Single | 18" | 1625 | 1/3 | 115 | 4.1 | 37 | 73 | 3200 | 3090 | 3040 | 2920 | 21" X 21" |
| S18-F2 | Two | 18" | 1725/1140 | 1/3 | 115 | 5.5/2.9 | 43 | 74 | 3200/2100 | 3090/1890 | 3040/1820 | 2920/0 | 21" X 21" |
| S18-FVD | Variable | 18" | 1625 | 1/3 | 115/230 | 3.8/1.9 | 45 | 74 | 3150 | 3050 | 2980 | 2860 | 21" X 21" |
| S20-F1 | Single | 20" | 1625 | 1/3 | 115 | 4.1 | 41 | 77 | 3420 | 3220 | 3170 | 2920 | 23" X 23" |
| S20-F2 | Two | 20" | 1725/1140 | 1/3 | 115 | 5.5/2.9 | 45 | 77 | 3440/2300 | 3240/2000 | 3180/1950 | 2930/0 | 23" X 23" |
| SD24-F1 | Single | 24" | 1100 | 1/3 | 115 | 3.6 | 46 | 70 | 5000 | 4500 | 4300 | 3600 | 27" X 27" |
| SD24-GVD | Variable | 24" | 1075 | 1/3 | 115/230 | 4.4/2.2 | 56 | 72 | 5050 | 4910 | 4810 | 4400 | 27" X 27" |
| SD30-G1D | Single | 30" | 1075 | 1/3 | 115/230 | 4.4/2.2 | 72 | 82 | 8000 | 7000 | 6000 | 5000 | 33" X 33" |
| SD36-G1D | Single | 36" | 850 | 1/2 | 115/230 | 6.6/3.3 | 88 | 72 | 10000 | 8500 | 8000 | 6200 | 39" X 39" |

| MODEL | SPEED | BLADE DIA. | RPM | HP | VOLT | AMPS (FLA) | WEIGHT (LBS) | dB(A) @5 ft | CFM @ STATIC PRESSURE | | | | | | | | | | | | FRAMING DIMENSIONS | | | | |
|----------|--------|------------|-----|----|------|------------|--------------|-------------|-----------------------|------|------|-------------|-------|------|------|-------------|--------|------|------|-------------|--------------------|-------|------|------|-------------|
| | | | | | | | | | 0.00" | | | | 0.10" | | | | 0.125" | | | | | 0.25" | | | |
| | | | | | | | | | CFM | BHP | FEI | FEFact (KW) | CFM | BHP | FEI | FEFact (KW) | CFM | BHP | FEI | FEFact (KW) | | CFM | BHP | FEI | FEFact (KW) |
| SD42-H1D | Single | 42" | 850 | 1 | 230 | 5 | 122 | 83 | 12860 | 0.85 | 1.35 | 0.95 | 11580 | 0.87 | 1.47 | 0.97 | 11090 | 0.87 | 1.45 | 1 | 9029 | 0.92 | 1.42 | 1.03 | 45" X 45" |
| SD48-H1D | Single | 48" | 850 | 1 | 230 | 5 | 140 | 84 | 14470 | 0.82 | 1.56 | 0.92 | 12610 | 0.84 | 1.67 | 0.94 | 12200 | 0.84 | 1.69 | 0.94 | 8400 | 0.83 | 1.48 | 0.93 | 51" X 51" |

RPM Minimum is determined when louvers are opened one inch. Some models are available with explosion proof motors. Please see SD-XPf.

Note: Wind has a significant effect on exhaust fans. A 10 mph wind creates a 0.05" pressure against the fan. A 20 mph wind creates 0.20" pressure and 30 mph a 0.45" pressure. These pressures are in addition to the static pressure in the building. Wind blocks or hoods should be included in all designs where fans will be subjected to winds above 10 mph.

SD SERIES

AIR CHANGES PER MINUTE

To determine the proper fan for your applications, use the following formula.

Number of cubic feet in room / Number of minutes per air change = Required CFM Capacity

EXAMPLE: A general office, (see chart) which requires an air change every ten minutes, would require the following fan capacity.

If the office is 100' x 40' x 10' = 40,000 cubic ft

40,000 cubic ft / 10 minutes per air change = 4000 Required CFM

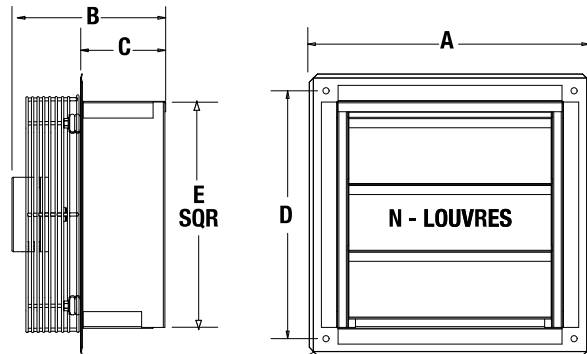
From the chart, you would select a fan that is rated at 4000 CFM at 1/8" S.P. (Static Pressure)

| Application | Minutes per Air Change | Application | Minutes per Air Change | Application | Minutes per Air Change | Application | Minutes per Air Change |
|---------------|------------------------|------------------|------------------------|----------------|------------------------|------------------|------------------------|
| Assembly Hall | 7 | Church | 15 | Foundry | 4 | Pressing Room | 1 |
| Attic | 2 | Classroom | 6 | Garage | 5 | Projection Booth | 2 |
| Auditorium | 10 | Dance Hall | 5 | General Office | 10 | Summer Cooling | 1 |
| Barber Shop | 6 | Department Store | 6 | Gymnasium | 8 | Toilet | 3 |
| Basement | 8 | Dry Cleaning | 5 | Laundry | 2 | Transformer Room | 1 |
| Battery Room | 4 | Engine Room | 6 | Locker Room | 3 | Warehouse | 12 |
| Boiler Room | 1 | Factory | 6 | Machine Shop | 8 | Welding Shop | 2 |
| Bowling Alley | 5 | Forge Room | 3 | Plating Room | 3 | | |

DIMENSIONS

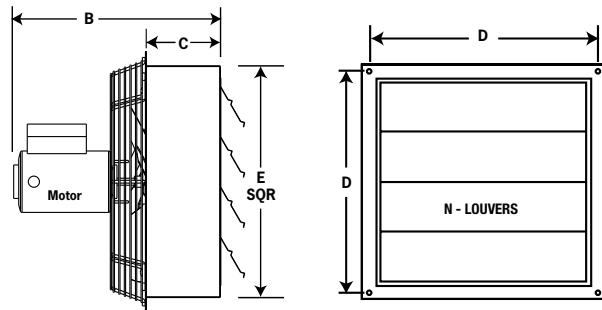
8" & 10" Models

| FAN SIZE | A | B | C | D (c/c) | E SQR | N |
|----------|---------|---------|----|---------|---------|---|
| 8" | 13 1/4" | 7 9/16" | 4" | 12" | 10 3/4" | 2 |
| 10" | 15 1/4" | 7 7/8" | 4" | 14" | 12 3/4" | 3 |



12" to 48" Models

| FAN SIZE | A X A SQUARE | B | C | D (c/c) | E | N |
|----------|--------------|-----|--------|---------|---------|----|
| 12" | 17 1/4" | 17" | 6" | 16" | 14 3/4" | 3 |
| 14" | 19 1/4" | 17" | 6" | 18" | 16 3/4" | 3 |
| 16" | 21 1/4" | 17" | 6" | 20" | 18 3/4" | 4 |
| 18" | 23 1/4" | 18" | 6" | 22" | 20 3/4" | 4 |
| 20" | 25 1/4" | 18" | 6 3/4" | 24" | 22 3/4" | 5 |
| 24" | 29 1/4" | 18" | 6 3/4" | 28" | 26 3/4" | 5 |
| 30" | 35 1/4" | 18" | 6" | 34" | 32 3/4" | 16 |
| 36" | 41 1/4" | 18" | 6" | 40" | 38 3/4" | 20 |
| 42" | 47 1/4" | 18" | 6 3/4" | 46" | 44 3/4" | 24 |
| 48" | 53 1/4" | 19" | 6 3/4" | 52" | 50 5/8" | 26 |

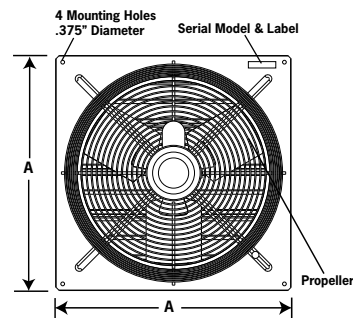


ACCESSORIES

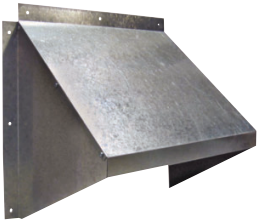
- Grey plastic weather hood
- Galvanized metal hood
- MC type & wet locations controls.

For a complete listing of all available hoods, see Hoods page.

For all available control options, see Controls & Thermostats section.

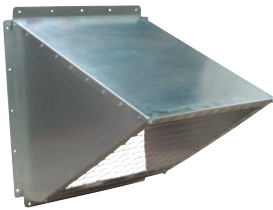


HOODS



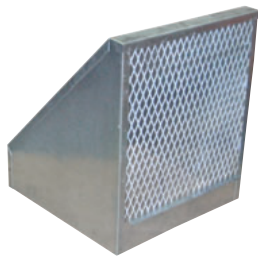
GH GALVANIZED HOODS

- Economical shipping.
- Easy to assemble, galvanized hood.
- No screens.



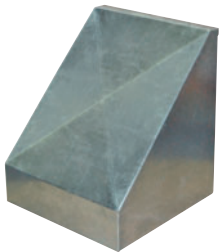
GH KNOCK DOWN HOODS

- Easy to assemble, galvanized hood.
- Includes bird screen.



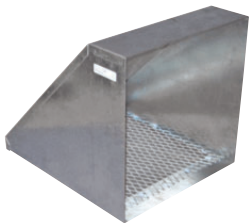
WHA HOODS

- For AX fans.
- Shipped fully assembled.
- 18 gauge galvanized weather hoods complete with bird screen.
- Optional insect screen available. Consult factory.



WHP HOODS

- For Panel fans.
- 18 gauge galvanized weather hoods complete with bird screen.
- Optional insect screen available. Consult factory.



INTAKE & EXHAUST HOODS

- Shipped fully assembled.
- 18 gauge galvanized weather hoods complete with bird screen.



PLASTIC HOODS

- Rugged, grey plastic hood.
- No screens.

| HOOD MODEL | DIMENSIONS | | APPROX. WEIGHT (LBS) | FANS THAT WILL FIT |
|---|-------------------|--------------------|----------------------|--|
| | INSIDE DIMENSIONS | OUTSIDE DIMENSIONS | | |
| GH GALVANIZED HOODS | | | | |
| GH-XF12-M | 14.75"W X 14.0"H | 18"W X 15.75"H | 4 | XF12 / XB12 / SD8 / SD10 / AX8 / AX10 / AX12 |
| GH-XF16-M | 18.75"W X 17.75"H | 22"W X 19.75"H | 7 | XF16 / XB12 / HV12 / HVA12 / ADD12 / DDP12 / DDS12 / SD12-14 / AX14-16 |
| GH-XF20-M | 22.75"W X 22"H | 26"W X 23.75"H | 9 | XF20 / XB14 / XB16 / HV14-16 / HVA14-16 / ADD14-16 / DDP14-16 / DDS14-16 / SD16-18 / AX18-20 |
| GH-XF24-M | 26.75"W X 26"H | 29"W X 27.25"H | 12 | XFS24 |
| GH KNOCKDOWN HOODS | | | | |
| GH-KD24 | 31.65"W X 31.66"H | 34.65"W X 34.69"H | 31 | XB24 / HV24 / HVA24 / ADD24 / DDP24 / DDS24 / SD24 / AX24 |
| GH-KD36 | 43.62"W X 43.93"H | 46.62"W X 46.82"H | 75 | XB30-36 / HV30-36 / HVA30-36 / ADD30-36 / DDS30-36 / SD30-36 / AX30-36 / AX42 |
| GH-KD48 | 55.62"W X 55.25"H | 58.62"W X 58.82"H | TBA | XB42-48 / HV42-48 / HVA42-48 / ADD42-48 / DDS42-48 / SD42 / AX42 |
| GH-KD60 | 69.76"W X 69.92"H | 72.76"W X 72.95"H | TBA | XB54-60 / HV54-60 / HVA54-60 / ADD54-60 |
| WHA HOODS | | | | |
| WHA8-10 | 12.11"W X 12.11"H | - | 13 | AX08-10, SD8 |
| WHA12 | 14.05"W X 14.05"H | - | 16 | AX12, SD10 |
| WHA14 | 16.11"W X 16.11"H | - | 22 | AX14, SD12 |
| WHA16 | 18.11"W X 18.11"H | - | 26 | AX16, SD14 |
| WHA18 | 20.11"W X 20.11"H | - | 29 | AX18, SD16 |
| WHA20 | 22.05"W X 22.05"H | - | 31 | AX20, SD18 |
| WHA24 | 26.05"W X 26.05"H | - | 47 | AX24 |
| WHA30 | 33.05"W X 33.05"H | - | 59 | AX30 |
| WHA36 | 39.11"W X 39.11"H | - | 76 | AX36 |
| WHP HOODS | | | | |
| WH8-10P | 14.45"W X 14.45"H | - | 20 | P08 / P10 |
| WH12P | 17.40"W X 17.40"H | - | 16 | P12 |
| WH14P | 19.20"W X 19.20"H | - | 24 | P14 |
| WH16P | 21.20"W X 21.20"H | - | 26 | P16 |
| WH18P | 23.20"W X 23.20"H | - | 29 | P18 |
| WH20P | 25.20"W X 25.20"H | - | 44 | P20 |
| WH24P | 29.15"W X 29.15"H | - | 44 | P24 |
| WH30P | 35.65"W X 35.65"H | - | 60 | P30 |
| WH36P | 41.65"W X 41.65"H | - | 77 | P36 |
| EXHAUST / INTAKE / WEATHER HOODS | | | | |
| EH12 | 16.55"W X 16.55"H | - | 9 | XF12 / SD8-12 / AX8-14 / XB12 / HV12 / HVA12 / ADD12 / DDP12 / DDS12 |
| EH14 | 18.60"W X 18.60"H | - | 15 | XB14 / HV14 / HVA14 / ADD14 / DDP14 / DDS14 / SD14 / XF16 / AX16 |
| EH16 | 20.60"W X 20.60"H | - | 20 | AX18 / SD16 / XB16 / HV16 / HVA16 / ADD16 / DDP16 / DDS16 |
| EH18 | 22.55"W X 22.55"H | - | 31 | SD18 / XB18 / HV18 / HVA18 / ADD18 / DDP18 / DDS18 / XF20 / AX20 |
| EH20 | 24.55"W X 24.55"H | - | 44 | SD20 / XB20 / XF24 / HV20 / HVA20 / ADD20 / DDP20 / DDS20 |
| EH24 | 30.05"W X 30.05"H | - | 60 | SD24 / AX24 / XB24 / ADD24 / HV24 / HVA24 / DDP24 / DDS24 |
| EH30 | 36.35"W X 36.35"H | - | 72 | SD30 / AX30 / XB30 / HV30 / HVA30 / ADD30 / DDS30 / JFHVA24 |
| EH36 | 42.30"W X 42.30"H | - | 104 | SD36 / AX36 / XB36 / HV36 / HVA36 / ADD36 / DDS36 / JFHVA30 |
| EH42 | 48.63"W X 48.63"H | - | 163 | XB42 / HV42 / HVA42 / ADD42 / DDS42 / JFHVA36 / SD42 / AX42 |
| EH48 | 54.64"W X 54.64"H | - | TBA | XB48 / HV48 / HVA48 / ADD48 / DDS48 / JFHVA42 |
| EH54 | 61.20"W X 61.20"H | - | TBA | XB54 / HV54 / HVA54 / ADD54 / JFHVA48 |
| EH60 | 69.39"W X 69.39"H | - | TBA | XB60 / HV60 / HVA60 / ADD60 |
| PLASTIC HOODS | | | | |
| HFP-18G | 21.50"W X 21.75"H | - | 9 | S8 / S10 / S12 / S14 / S16 / S18V / AX08 / AX10 / AX12 / AX14 / AX16 / AX18 |
| HFP-24G | 27.50"W X 27.75"H | - | 13 | S20 / S24 AX20 / AX24 |