

HVACquick's CFB Series:

Our CFB Inline Filter Box Series is a great solution for any application requiring inline filtration.

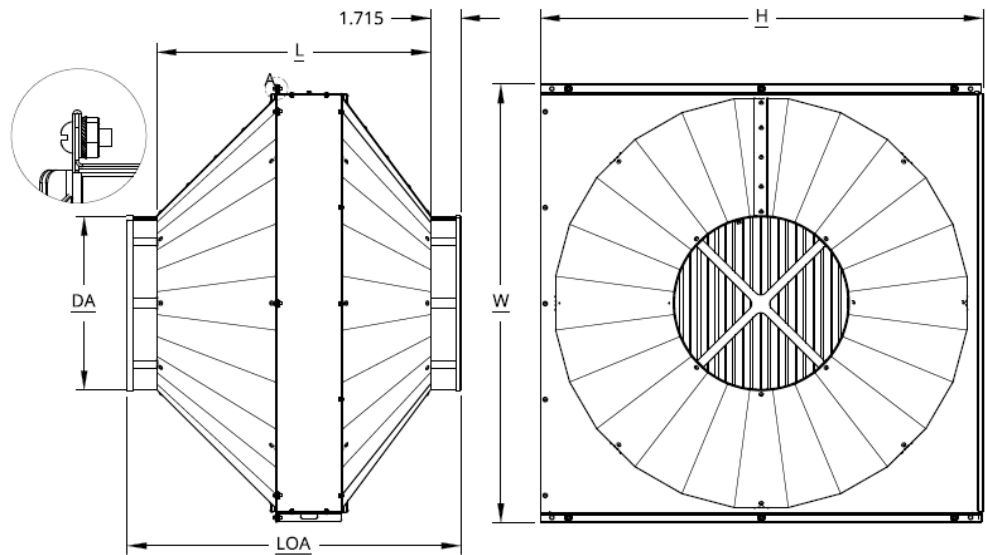
Available in sizes to fit 6, 8, 10, 12 inch ducts. The Inline Conical Filter Box has been designed for air flow and is constructed from Aluminum. The access panel attaches securely and can be opened by a tab for filter replacements, the filter(s) are included.

The filter box needs to be assembled before it is ready to be installed on site.

Note: CFB-8 version shown

Features:

- The Conical Filter Box has been designed for proper airflow and full use of the large filter(s)
- Large filter area => lower pressure drop and larger dust holding capacity
- Includes high quality 4" filter(s) (see table) but can accommodate other filters (carbon with pre-filters)
- The CFB Filter Box is entirely constructed from durable Aluminum.
- The CFB has edge mounting holes on two of the box sides and hemmed duct adapters.
- Quick single screw Access Panel for proper sealing.
- Quick and simple assembly required, before installation.



Model	Actual Filter Size		Duct Size DA	Flex Duct Air Flow TYP. (CFM)	Max. Air-Flow (CFM) at preferred velocity OVER FILTER(S) ONLY			UNIT SIZING				Filter Area (sq. ft.) Per filter	Unit Weight lbs
	Filter L	Filter W			250 ft/min 0.2" w.c.	350 ft/min 0.24" w.c.	500 ft/min 0.38" w.c.	LOA	L	H	W		
CFB-6	13.5	13.5	6	75	316	443	633	13	9.4	14.8	14.8	1.27	3.2
CFB-6-OS	23.75	23.75	6	75	979	1371	1959	22.6	19.2	24.6	24.6	3.92	7.2
CFB-HP-6*	16	16	6	75	444	622	889	15.4	11.9	17.4	17.4	1.78	6.5
CFB-HP-6-LL*	16	16	6	75	444	622	889	18.3	14.9	17.4	17.4	1.78	15.8
CFB-8	17.5	17.5	8	160	532	744	1063	14.8	11.4	18.8	18.8	2.13	4.6
CFB-8-2X*	17.5	17.5	8	160	532	744	1063	18.6	15.2	18.8	18.8	2.13	6.7
CFB-10	23.75	23.75	10	300	979	1371	1959	18.6	15.2	24.7	24.7	3.92	7.0
CFB-12	23.75	23.75	12	480	979	1371	1959	18.6	15.2	24.7	24.7	3.92	6.8

*Double filters, HP has a HEPA filter and pre-filter. The LL is a long life HEPA. The 2X can be customized with double filters. Duct sizing influences the performance of the equipment used. NOTE: The possible air flow through the filter box is limited by the size of ducting attached (see typical air flow). As air flow velocity increases, the pressure drop across the filter increases exponentially (square of the velocity). The smaller the duct size the longer the filters last (load decreases). Units are in inches. We recommend sealing all ducting to the filter box by using butyl tape.