

PROFESSIONAL INLINE KITCHEN EXHAUST KIT | ASKI-36

Recommended for 30 or 36 inch cooktops: delivers 418 CFM through an 8" duct system. Other sizes available.



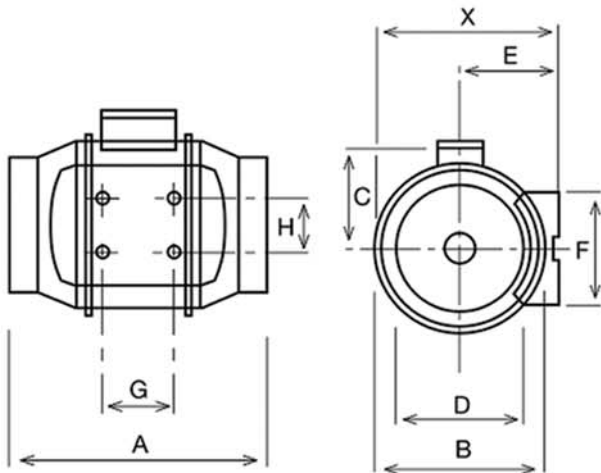
This high-flow commercial exhaust system uses a powerful inline fan located away from the range hood and acoustically isolated with a special silencer to deliver commercial ventilation performance with a fraction of the noise of typical low-flow consumer range hoods.

The kit includes:

- Solar & Palau TD200 8" inline centrifugal fan (418 cfm @ .375" sp)
- A specially optimized silencer to minimize inline noise
- Inline backdraft damper to prevent backflow
- Heavy-duty dampening clamps (2) to absorb fan vibration
- Heavy-duty, high-performance galvanized roof cap (or wall hood)



*choose a wall hood or roof cap



Dimensional Information

X	A	B	C	D	E	F	G	H
9 3/16	11 7/8	8 9/16	5 9/16	7 13/16	4 7/8	5 1/2	3 15/16	3 11/16

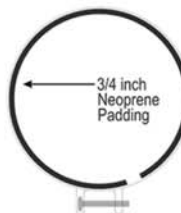
Performance Information

Nom. RPM	Volts	Max. Watts	Spd	CFM vs. Static Pressure (SP) Ins. WG						Max. SP	Duct Dia. Ins.
				0"	0.125"	0.25"	0.375"	0.5"	0.75"		
2781	120	184	High	538	495	458	418	367	190	1.0	8"

Soler & Palau TD-200 8" Inline Centrifugal Fan

- ▶ 418 cfm fan @ .375" static pressure
- ▶ Single-phase (120V, 60 HZ) induction asynchronous motor, with permanent capacitor and external rotor in die cast aluminum.
- ▶ Direct, two-speed connection and speed-controllable
- ▶ Removeable body for mounting & servicing
- ▶ Thermal Overload Protection
- ▶ Can be mounted in any orientation
- ▶ Proven in countless commercial and high-end residential applications worldwide

with heavy-duty mounting clamps

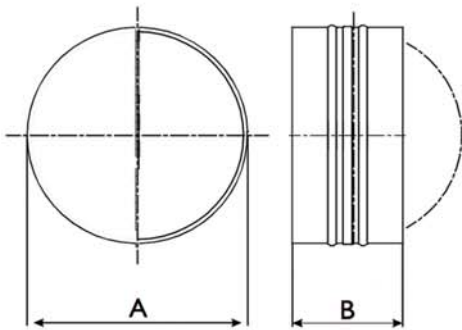
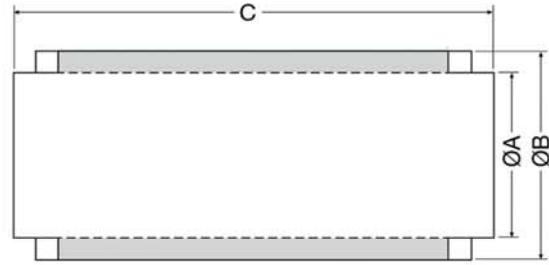


- ▶ Absorbs fan vibration and provides a tight seal
- ▶ 3/4" neoprene rubber duct seal
- ▶ Internal hanging tabs for horizontal mounting

Inline Silencer

- ▶ Cuts noise level by at least 50%
- ▶ Galvanized steel construction
- ▶ Rubber seal on inlet and outlet
- ▶ Can be mounted in any orientation

A	B	C
7 7/8	12 1/2	23 5/8



Inline Backdraft Damper

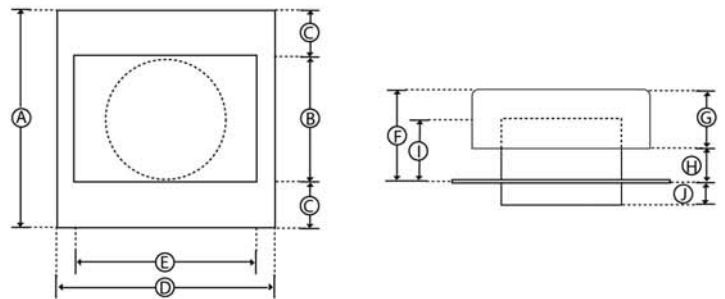
- ▶ Uses lightweight aluminum damper blades
- ▶ Galvanized steel collars
- ▶ Spring-loaded for positive closure, w/ neoprene insulation

A	B	Weight
7 7/8	3 1/8	1lb

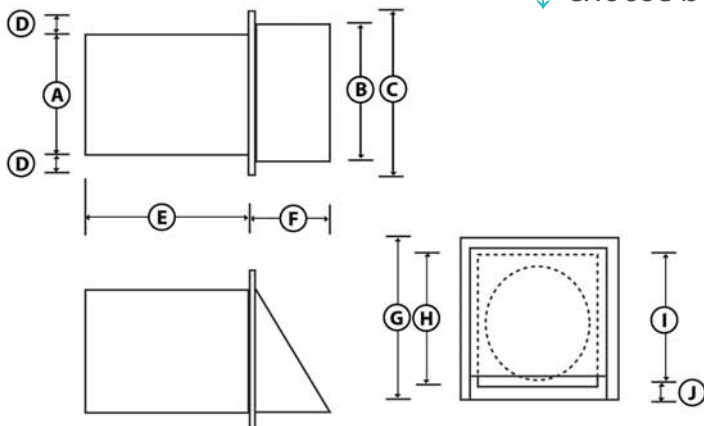
Galvanized Steel Roofcap*

- ▶ Galvanized steel construction
- ▶ Includes #8 insect screen
- ▶ Low-profile design (*installs on any pitch*)

A	B	C	D	E	F	G	H	I	J
15	8	3.5	15	12	5.5	3.5	1.875	3.25	3.125



↕ choose between roofcap or wall hood ↕



Galvanized Steel Wall Hood*

- ▶ Galvanized steel construction
- ▶ Includes a built-in damper & #8 insect screen
- ▶ Rain-proof

A	B	C	D	E	F	G	H	I	J
8	10	11	1.5	8.5	5.125	11	8.375	9.875	.75

*Wall hoods and roofcaps are also available in copper