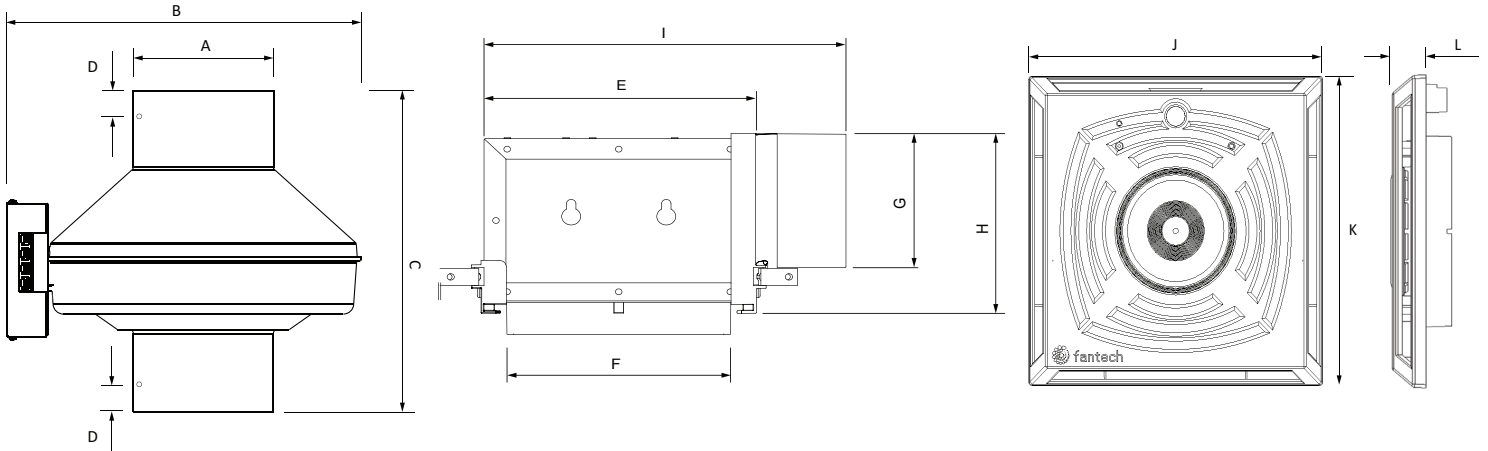


# Serenity™ Duet

Auto Sensing Everything Bathroom Fan with Dual Grilles

## STANDARD FEATURES

- EC exhaust fan with dimmable LED lights
- Airflow adjustment, occupancy monitoring
- Humidity tracking, altitude correction
- Primary and secondary wall switches included
- No sones
- Five-year factory warranty



A	B	C	D	E	F	G	H	I	J	K	L
5 7/8 (149)	10 3/8 (264)	13 1/8 (333)	1 5/8 (41)	7 3/16 (183)	5 13/16 (148)	4 (102)	5 5/16 (134)	9 9/16 (243)	9 3/8 (238)	9 3/8 (238)	1 (25)

Dimensions are in inches.

Fan Specifications							Motor Specifications				
Line	Tag	Qty	Model No.	CFM	SP	Fan RPM	Watts	Volts	Phase	Hertz	Encl

1											
2											
3											
4											

Accessory Items	1	2	3	4	Accessory Items	1	2	3	4
-----------------	---	---	---	---	-----------------	---	---	---	---


Project: \_\_\_\_\_ Submitted: \_\_\_\_\_  
 Customer: \_\_\_\_\_ Approved: \_\_\_\_\_  
 Location: \_\_\_\_\_

**United States** 10048 Industrial Blvd. • Lenexa, KS 66215 • 1.800.747.1762 • www.fantech.net  
**Canada** 50 Kanalfakt Way • Bouctouche, NB E4S 3M5 • 1.800.565.3548 • www.fantech.net

Systemair reserves the right to make technical changes.  
 For updated documentation please refer to [www.fantech.net](http://www.fantech.net)



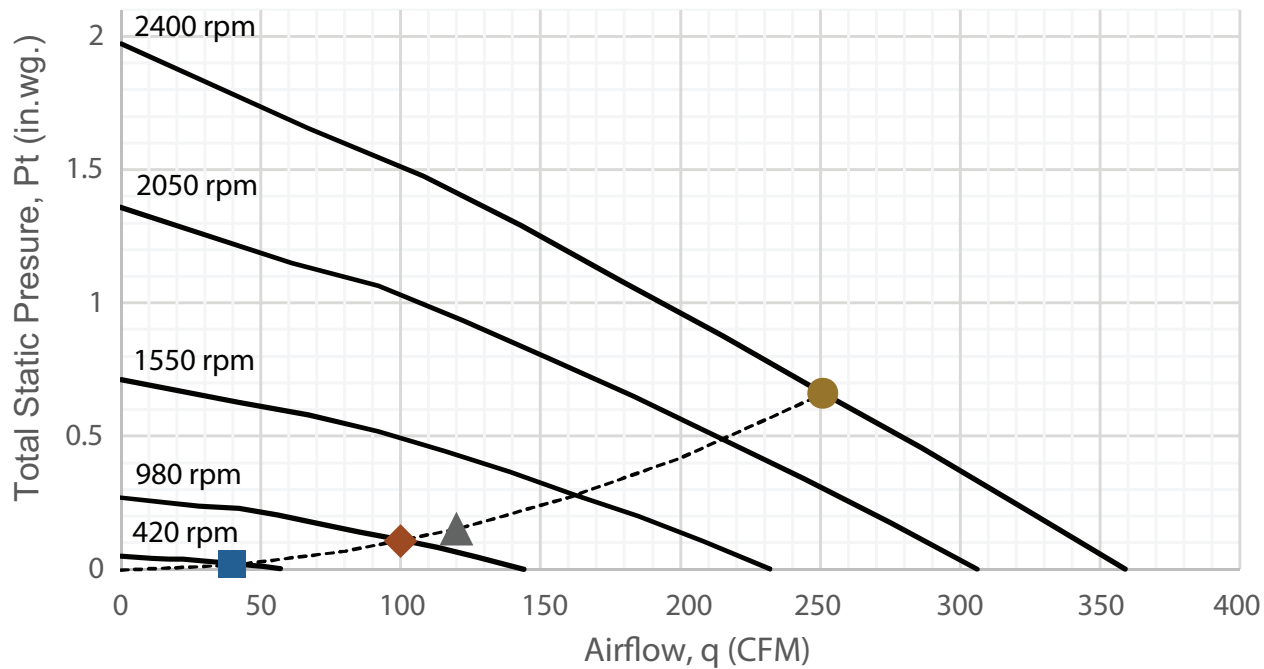
# Serenity™ Duet

Auto Sensing Everything Bathroom Fan with Dual Grilles

## Performance Specification

The performance charts below indicate the maximum delivered airflow with the supplied grilles and fittings in place.

Proper duct design and installation is important for achieving adequate airflow performance.



- System Curve: (2) Grilles, (1) Wye 6x4x4, duct work excluded
- Continuous Default: 40 cfm Total, Total Power: 2.1 W
- ◆ Occupancy Default: 100 cfm Total (50 cfm per Grille), Total Power: 7.2 W
- ▲ Humidity Default: 120 cfm Total (60 cfm per Grille), Total Power: 12 W
- MAX: Max Airflow 250 cfm, Total Power: 71 W

United States 10048 Industrial Blvd. • Lenexa, KS 66215 • 1.800.747.1762 • www.fantech.net  
 Canada 50 Kanalfakt Way • Bouctouche, NB E4S 3M5 • 1.800.565.3548 • www.fantech.net

Systemair reserves the right to make technical changes.  
 For updated documentation please refer to [www.fantech.net](http://www.fantech.net)

