

Installation and Maintenance Manual Manuel pour l'Installation et l'Entretien Manual de Instalación y Mantenimiento

Item #: 450065
Rev Date: 2020-11-03

PBW Series

Premium Bath Fans

(single grille unit 4" duct: PBW110; PBW110H; PBW110L7; PBW110L10)

Ventilateurs pour salle de bains premium

(grille simple conduit de 4 po: PBW110; PBW110H; PBW110L7; PBW110L10)

Ventiladores Para Baño Premium

(unidades de Reja Solas 4" conducto: PBW110; PBW110H; PBW110L7; PBW110L10)



United States

10048 Industrial Blvd., Lenexa, KS, 66215
Tel.: 800.747.1762 • Fax: 800.487.9915

Canada

50 Kanalfakt Way, Bouctouche, NB, E4S 3M5
Tel.: 800.565.3548 • Fax: 877.747.8116

* The PBW110 model earned the ENERGY STAR® by meeting strict efficiency guidelines set by Natural Resources Canada and the US EPA.



Note	Warning / Important note	Information	Technical information	Practical tip



Before installation, servicing or cleaning unit, switch power off at service panel and lock the service disconnect to prevent power from being switched on accidentally. When the service disconnect cannot be locked, securely fasten a prominent warning device, such as a tag, to the service panel.

1. The compactness and adaptability of the Exterior Wall Mounted Fans (RVF Series) used in the PBW kits provides a non-obtrusive and quiet ventilating solution for bathroom renovations.

2. Because this unit has rotating parts, safety precautions should be exercised during all phases of installation, operation and maintenance.

3. **CAUTION:** "For General Ventilation Use Only. Do Not Use To Exhaust Hazardous Or Explosive Material and Vapors."

4. Remove unit from package and inspect within 15 days after receipt. If damaged, report damage to carrier. Do Not operate this unit with visible damage to the blower or impeller assembly.

CAUTION: WEAR HAND PROTECTION AND STAY CLEAR OF SHARP EDGES!

5. **NOTICE:** REPLACEMENT LAMPS Halogen Models: Fantech model PBB50 (MR16 GU10 Base 50W Max) LED Models: For 7W, Fantech model PBB7- ES or Halco ProLED model 82008. For 10W, Fantech model PBB10-ES or Halco ProLED model 82027.

6. **PLEASE** read the entire manual before installing.

Avant l'installation, le service ou le nettoyage, coupez l'électricité au compteur électrique et fermez-le à clé afin d'éviter que l'électricité ne soit retranchée accidentellement. Quand le tableau de contrôle ne peut pas être fermé à clé, afficher un dispositif d'avertissement bien en vue, comme une étiquette par exemple placée sur le tableau électrique.

1. La compacité et l'adaptabilité des ventilateurs à montage extérieurs (Série RVF) utilisé dans les ensemble PBW fournit une solution non-envahissante et une ventilation silencieuse pour les rénovations de salle de bains.

2. Cet appareil contient des parties rotatives, des mesures de sécurités doivent être observées lors de l'installation et l'entretien.

3. **PRECAUTION:** A utiliser strictement pour une ventilation normale. A NE PAS UTILISER POUR évacuer des vapeurs de matériaux dangereux ou explosifs.

4. Retirer l'appareil de son emballage et inspectez-le dans les 15 jours qui suivent sa réception. S'il est endommagé, rapporter les dommages à l'envoyeur. Ne Pas utilisez cet appareil avec un dommage apparent sur le souffleur ou le système de ventilation.

PRECAUTION: PORTEZ DES GANTS ET ESSAYER D'ÉVITER LES BORDS COUPANTS!

5. **AVIS:** Empoule de recharge pour les modèle halogène: Modèle Fantech PBB50 (MR16 GU10 base de 50W max). Modèle LED: Pour 7W, modèle Fantech PBB7-ES ou le modèle Halco ProLED 82008. Pour 10W, modèle Fantech PBB10-ES ou Halco proLED modèle 82027.

6. **VEUILLEZ**, lire ce manuel en entier avant de l'installer.

Antes de instalar la unidad, hacerle mantenimiento o limpiarla, desconecte la alimentación en el tablero de servicio y cierre con llave el interruptor del circuito para impedir la reactivación accidental. De no poder cerrarse el interruptor con llave, aplíquelo al tablero una etiqueta o dispositivo de advertencia bien visible.

1. La solidez y la adaptabilidad de los ventiladores de pared exterior de la (Serie RVF) utilizan los kits PBW, proporcionando una solución de tranquila y sin ocupar espacio innecesario para las renovaciones del cuarto de baño

2. Debido a que esta unidad tiene piezas rotativas, hay que tomar medidas de precaución a toda hora durante la instalación, operación y mantenimiento de la misma.

3. **PRECAUCION:** "Sólo para Empleo en Ventilación General. No Usar Como Extractor de Material y Vapores Peligrosos o Explosivos."

4. Desempaque la unidad e inspecciónela antes de los 15 días de recibida. Si presenta daños, informe al transportista. No opere esta unidad si presenta daños visibles al conjunto de ventilador o impulsor.

PRECAUCIÓN: ¡USE PROTECCION PARA LAS MANOS Y CUIDESE DE CANTOS O BORDES AFILADOS!

5. **AVISO** LAMPARAS DE REEMPLAZO para Modelos Halógeno: Modelo Fantech PBB50 (Base MR16 GU10 50W Máximo) Modelos LED: Para 7W, Modelo PBB7-ES o Halco ProLED Modelo 82008. Para 10W, Modelo Fantech PBB10-ES o Halco ProLED Modelo 82027.

6. **FAVOR** leer este manual por completo antes de proceder a la instalación.

WARNINGS

DO NOT CONNECT POWER SUPPLY until fan is completely installed. Make sure electrical service to the fan is in the locked "OFF" position.

1. All fans are suitable for use with solid-state speed control.

2. WARNING! TO REDUCE THE RISK OF FIRE, ELECTRIC SHOCK, OR INJURY TO PERSONS - OBSERVE THE FOLLOWING:

- Use this unit in the manner intended by the manufacturer. If you have any questions, contact your manufacturer's representative or contact us directly.
- CAUTION:** Before installation, servicing or cleaning unit, switch power off at the service panel and lock the service disconnect to prevent power from being switched on accidentally. When the service disconnect cannot be locked, securely fasten a prominent warning device, such as tag, to the panel.
- Installation work and electrical wiring must be done by qualified person(s) in accordance with all applicable codes and standards, including fire-rated construction.
- Sufficient air is needed for proper combustion and exhausting of gases through the flue (chimney) of fuel burning equipment to prevent back drafting. Follow the heating equipment manufacturer's guideline and safety standards such as those published by the National Fire Association (NFPA), and the American Society for Heating, Refrigeration and Air-Conditioning Engineers (ASHRAE), and the local code authorities.
- When cutting or drilling into wall and ceiling, do not damage electrical wiring and other hidden utilities.
- Ducted fans must always be vented to the outdoors.
- If this unit is to be installed over a tub or shower, it must be marked as appropriate for the application and be connected to a GFCI (Ground Fault Circuit Interrupter) - protected branch circuit.
- NEVER** place a switch where it can be reached from a tub or shower.

3. **WARNING!** Check voltage at the fan to see if it corresponds to the motor name plate.

ADVERTISSEMENTS

NE PAS BRANCHER l'électricité jusqu'à ce que le ventilateur soit complètement installé. Veillez à ce que le tableau électrique du ventilateur soit verrouillé ("OFF").

1. Tous les ventilateurs sont faits pour être utilisés avec une commande de vitesse.

2. AVERTISSEMENTS POUR RÉDUIRE LES RISQUES D'INCENDIE, DE DECHARGE ELECTRIQUE OU RISQUE DE BLESSURES. SUIVEZ LES CONSEILS SUIVANTS:

- Cet appareil ne doit pas être utilisé pour une autre fonction que celle prévue par son fabricant. Si vous avez des questions, contactez les représentants de vos fabricants ou contactez-nous directement.
- ATTENTION:** Avant l'installation, le service ou le nettoyage de l'appareil, fermer l'électricité et fermer à clé le compteur électrique afin d'éviter que l'électricité ne soit retranchée accidentellement. Si le compteur ne peut pas être fermé à clé, attachez au compteur un dispositif de sécurité comme par exemple une étiquette.
- L'installation de l'électricité doit être faite par une personne qualifiée en accord avec les codes applicables et les règles pour la construction anti-feu.
- La circulation de l'air est nécessaire pour une bonne combustion et pour l'aspiration des gaz dans la cheminée afin d'éviter des refoulements. Suivez le guide de chauffage du fabricant ainsi que les règles de sécurités comme celles qui sont éditées par l'Association Nationale des Sapeurs Pompiers (NFPA) et l'Association américaine des Ingénieurs pour le chauffage et l'air conditionné (ASHRAE) ainsi que celles des autorités locales.
- Lorsque vous coupez ou percez le mur et le plafond faites attention de ne pas endommager les câbles électriques des autres appareils utilitaires.
- Le ventilateur caréné doit toujours être branché sur l'extérieur.
- Si l'appareil doit être installé au-dessus d'une baignoire ou d'une douche, il doit être signalé comme tel pour son utilisation et l'installation d'une prise de terre est nécessaire.
- NE JAMAIS** placer près de la baignoire ou de la douche un interrupteur à portée de la main.

3. **ATTENTION!** Vérifier le voltage afin de voir s'il correspond à celui indiqué sur la plaque du moteur.

ADVERTENCIAS

NO CONECTE LA ALIMENTACION hasta tanto el ventilador quede completamente instalado. Cerciórese de que el servicio eléctrico al ventilador quede asegurado en la posición "OFF" (desactivado).

1. Todos los ventiladores vienen preparados para controlarse mediante controles de estado sólido.

2. ADVERTENCIA: PARA REDUCIR EL RIESGO DE INCENDIO, CONMOCION ELECTRICA O LESIONES A PERSONAS, OBSERVE LO SIGUIENTE:

- Sólo utilice esta unidad de la manera dispuesta por el fabricante. Si tiene cualquier pregunta, diríjase al representante del fabricante, o bien a nosotros directamente.
- PRECAUCION:** Antes de la instalación, mantenimiento o limpieza de la unidad, desconecte la alimentación en el tablero de servicio y cierre con llave el interruptor del circuito para impedir la reactivación accidental. De no poder cerrarse el interruptor con llave, aplíquelo al tablero una etiqueta o dispositivo de advertencia bien visible.
- Los trabajos de instalación y cableado eléctrico tienen que ser realizados por personal calificado conforme todos los códigos y normas del caso, incluso el código de incendio en la construcción.
- La debida combustión y extracción de gases a través de la chimenea de equipos quemadores de combustibles, requiere de una cantidad adecuada de aire que impida el contratiempo. Siga las pautas y normas de seguridad del fabricante, tales como publica la National Fire Association (NFPA) (Asociación Nacional de Incendios) y la American Society for Heating Refrigeration and Air-conditioning Engineers (ASHRAE), así como las de las autoridades locales del código.
- Al cortar o perforar paredes y cielos rasos, tenga cuidado de no dañar el cableado eléctrico u otros servicios públicos ocultos.
- Los ventiladores montados en conductos siempre deben contar con respiraderos al exterior.
- Si esta unidad ha de instalarse por encima de una bañera o ducha, tiene que venir marcada como tal par dicha aplicación y conectarse a un circuito protector interruptor de circuitos de tierra falla.
- JAMAS** coloque un interruptor al alcance de una bañera o ducha.

3. **¡ADVERTENCIA!** Revise el voltaje entrante al ventilador para constatar que corresponda al que indica la placa de fábrica.

INSTALLATION

Planning Your Fan Location

As with any exhaust system, your exhaust fan should be located a minimum of 6 feet horizontally and 8 feet vertically from any fresh air intakes to prevent re-entrainment of exhaust air streams. For example HVAC systems, heat recovery systems, and windows would all be considered fresh air intakes.

When planning your fan placement keep in mind that you will need to be able to run your duct work from the exterior fan to the bathroom inlet.

Considering access for the duct run before hand will make installation easier.

Installing Exterior Wall Fan

1. Once you have chosen the location where you wish to mount the fan, cut a $4 \frac{3}{8}$ " diameter hole in the exterior of the wall. Prepare a piece of rigid duct (purchase separately) approximately 2" longer than the wall thickness. This will be used as a collar extension placed through the wall.

2. Take off the fan discharge cover by removing the four screws. Center the fan in the hole that was cut into the wall. Mark the locations of the mounting holes and electrical knockout. Drill a hole for the electrical that is $\frac{1}{8}$ " larger than the conduit being used. A 1" electrical service opening is provided on the fan backplate.

NOTE: When mounting the fan to a masonry wall, drill $\frac{7}{32}$ " holes for the four anchors and mounting screws (provided). Anchors should be flush with the edge of the holes. For mounting to wood surfaces use wood screws (purchased separately).

3. Bring your electrical supply through the wall. Attach the fan collar to the extension collar using duct tape. Be sure this connection is as airtight as possible to prevent leakage. Apply polyurethane caulk to the exterior of fan housing backplate, leaving bottom uncaulked for drainage. This will ensure an airtight/waterproof connection between the fan and wall.

NOTE: If installing on lapped siding it may be necessary to use a mounting frame made from 1x1 board to insure a flush fit.

4. Mount the fan to the wall. Replace the discharge cover. Connect your ducting to the extension collar using plastic ties or duct tape (purchased separately).

FINAL INSTALLATION NOTE: If fan location is not protected by an eve, a standard flashing should be installed. Seal against the wall and upper edge of the fan discharge cover to prevent rain water from entering fan housing.

Fantech recommends insulated flexible duct for all bathroom exhaust applications.

Flexible Duct Installation Hints

Fantech strongly recommends the use of flexible insulated duct where ducting passes through unconditioned space or where noise is a factor. Check local code requirements before installing. Failure to use insulated flexible duct could result in excessive condensation buildup within the duct, and undesirable sound levels within the room.

A minimum of 8' of insulated flexible duct is recommended between the fan and any inlet grille. Duct should be stretched as tight and straight as possible. Failure to do so could result in dramatic loss of system performance. Connect flex duct to the fan with plastic zip ties or duct tape. Connections should be airtight as possible for maximize performance.

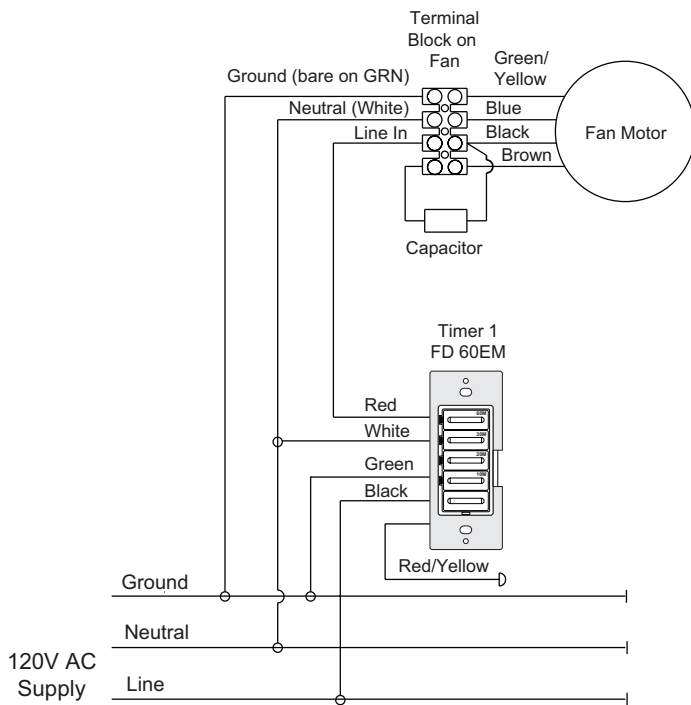
Electrical Connection

1. Remove the screws securing the terminal box cover located on the fan motor mounting bracket. All fan motor and capacitor connections are pre-wired to an electrical terminal strip. A 3/8" romex type cable restraint connector will be needed to secure the wiring through the knockout on the side of the terminal box.

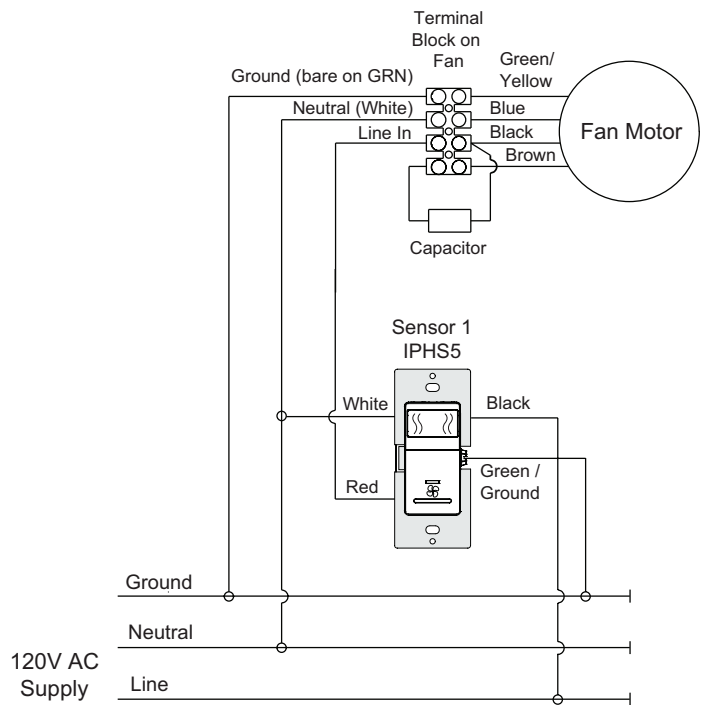
2. Bring incoming electrical service through the romex connector and the fan electrical service opening. Be sure to place the connector nut over the wiring coming into the terminal box. There are two open ports on the terminal strip. Using a small regular screwdriver, tighten the neutral (white) wire of the incoming supply under the open terminal strip port labeled "N". Tighten the line (black) wire of the incoming supply under the open terminal strip port labeled "L" to the ground connection on the terminal block.

3. Secure the romex connector. Secure the incoming supply with the romex connector. Place the capacitor back into the terminal box. Replace the fan terminal box cover. All fan motor and capacitor connections have been pre-wired from the factory. No additional fan wiring is necessary.

FD 60EM Count-down Timer w/PBW110



IPHS5 Humidity Sensor w/PBW110



Notes:

1. Order for wires on terminal block may not be as shown
2. Connect Neutral, Line and GRD (if required) to motor colors as shown
3. Cap off Red/Yellow wire on each switch

Troubleshooting

If fan fails to operate, please check the following:

1. Consult wiring diagrams (above) to ensure proper connection.
2. Check motor lead wiring, capacitor leads and incoming supply leads to insure definite contact.
3. If possible, use a meter to test for continuity across the fan motor leads. In order to do this, the capacitor must be disconnected (do not test the capacitor - it will not meter continuity). If motor leads show continuity, consult factory for a replacement capacitor.

Maintenance Instructions

Since fan bearings are sealed and provided with an internal lubricating material, no additional lubrication is necessary.

Installation of Ceiling Grille Housing With or Without Light

1. Plan Location of Inlet Grilles

Based on the bathroom layout and fixtures, plan the location of the ceiling grilles for the most effective ventilation.

2. Securing the Housing to the Ceiling Joists

NEW CONSTRUCTION

Mount housing directly to the ceiling joist using screws and keyhole slots. Locator tabs on housing should be flush with the bottom edge of the ceiling joist for correct positioning of the unit once drywall is installed (Figure 1).

OR

Use the hanger bars to suspend the housing between ceiling joists. For correct positioning, hanger bars should be positioned $\frac{3}{16}$ " up from the bottom edge of the ceiling joist on models with 4" duct connection and $\frac{15}{32}$ " up from bottom edge of joist on models with 6" duct connection. On models with 4" duct, tighten anti-slide screws to keep hanger bars in place. (Figure 2).

Note: Hanger bars on units with 4" duct connection can be used on ceiling joists up to 24" on center. Hanger bars on units with 6" duct connection span ceiling joists up to 16" on center.

Note: If drywall or ceiling material is thicker than $\frac{5}{8}$ " the locator tabs may be removed to allow the grille collar to be flush with the finished ceiling material. When ceiling drywall is being installed, cut hole for ceiling grille.

EXISTING CONSTRUCTION OR WHEN DRYWALL IS IN PLACE.

Cut a 6" round hole for the ceiling grille only and install the housing from the attic (Figure 3). Place the housing against the ceiling joist using the locator tabs to determine the correct position (Figure 1) or align it using the hanger bars (Figure 2). Punch out the keyhole knockouts (if using) and the electrical knockout if needed. To complete installation for Bath Fan models with lights, continue with steps 3 through 5. For models without lights, skip to steps 4 and 5.

3. Make Electrical Connections to the Ceiling Grille Housing.

Remove the electrical cover inside the steel housing using a screwdriver. Connect power by following wiring diagram (Figure 4) and following local or National Electrical Codes. Replace the electrical cover.

4. Connect the Fan to the Ceiling Grille Housing(s).

Install appropriate diameter duct from the fan to the ceiling grille housing. (Insulated flexible duct is recommended for all Fantech bathroom exhaust applications for quieter operation.) For dual grille models, install duct between fan and wye adapter* (included). Then, attach duct to each leg of the wye and to each ceiling grille housing. Secure duct in place and seal. If using insulated flexible duct, seal the inner liner to the duct connector then seal the outer shell over the top of the inner liner. Do not leave the insulation material exposed.

5. Installing the Bulb.

Install the bulb by gently inserting it into the socket in the grille housing. Install the grille by pushing it firmly into the steel collar until it is shouldered by the ceiling drywall (Figure 3).

Repeat steps 1 through 5 for each additional ceiling grille housing being installed.

*For most efficient operation wye adapter should be positioned the equivalent of three duct diameters away from the fan inlet.

Figure 1

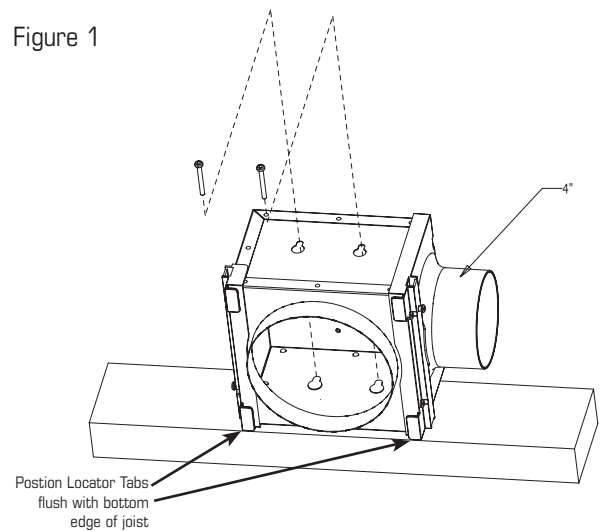


Figure 2

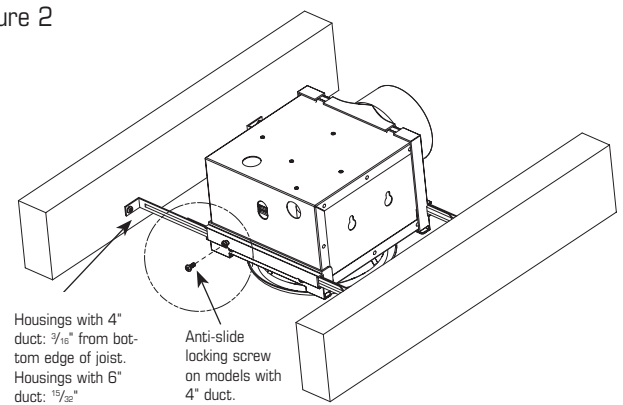


Figure 3

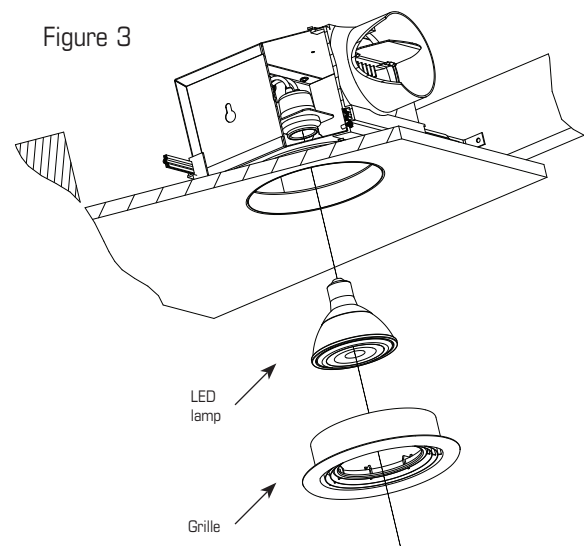
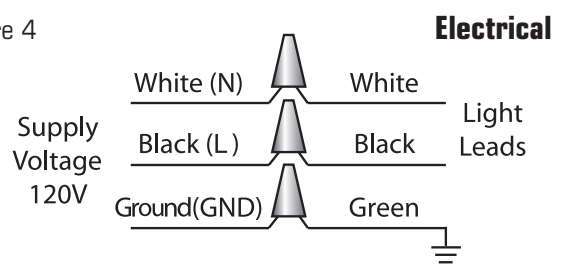


Figure 4



Planifier l'emplacement du ventilateur

Comme tout autre système d'évacuation, votre ventilateur devrait être situé à un minimum de 6 pieds horizontalement et 8 pieds verticalement de toutes les entrées d'air frais afin de prévenir la réintégration des courants d'air vicié. Par exemple, les systèmes HVAC, les systèmes récupérateurs de chaleur et les fenêtres sont tous considérés comme étant des entrées d'air frais.

Lorsque vous choisirez l'emplacement de votre ventilateur, assurez-vous qu'il soit possible de passer les conduits du ventilateur extérieur à la grille de la salle de bains. Une bonne planification facilitera l'installation.

Installation du ventilateur au mur extérieur

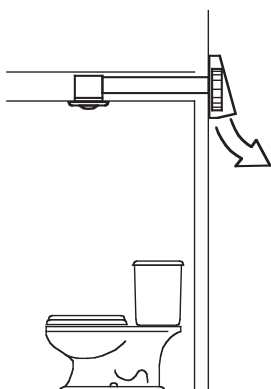
1. Lorsque vous avez choisi l'emplacement désiré du ventilateur, percez un trou de 4 3/8 po de diamètre à l'extérieur du mur. Préparez un morceau de conduit rigide (acheté séparément) d'environ 2 po plus long que l'épaisseur du mur qui sera utilisé comme collier d'extension placé au travers du mur.

2. Enlevez le couvercle de la sortie du ventilateur en enlevant les quatre vis. Centrez le ventilateur dans le trou percé dans le mur. Marquez les endroits des trous de montages et trous pour les fils électriques. Percez un trou pour les fils électriques d'un 1/8" pouce plus grand que le conduit utilisé. Une ouverture de 1 pouce existe sur la plaque arrière du ventilateur.

NOTE: Lorsque vous montez le ventilateur sur un mur de maçonnerie, percez des trous de 7/32" po pour les quatre ancrages et vis (incluses). Les ancrages devraient être à l'égalité du mur. Pour l'installation sur des surfaces en bois, utilisez des vis pour bois (achetées séparément).

3. Passez l'alimentation électrique au travers du mur. Attachez le collet du ventilateur au collet d'extension en vous servant de ruban adhésif. Assurez-vous que la connexion soit hermétique pour éviter tout échappement. Appliquez du calfeutrage polyuréthane à l'extérieur du ventilateur de la plaque arrière du boîtier du ventilateur, en laissant le dessous non calfeutré pour drainage. Ceci assurera une installation hermétique entre le ventilateur et le mur.

NOTE: Si l'installation se fait sur une surface inégale, il sera peut-être nécessaire de fabriquer un cadre de montage fabriqué de pièce de bois en planche de 1 x 1 pour assurer une installation au niveau.



4. Installez le ventilateur au mur. Remplacez le couvercle de sortie. Reliez les conduits au collet d'extension en utilisant des attaches en plastique ou du ruban adhésif (achetés séparément).

NOTE FINALE D'INSTALLATION: Si l'endroit où se trouve le ventilateur n'est pas protégé par la toiture, un couvre-joint (solin) devrait être installé. Scellez contre le mur et le bord supérieur du couvercle de la sortie du ventilateur afin de prévenir l'eau de pénétrer dans le boîtier.

Fantech recommande du conduit flexible isolant pour toutes les applications d'évacuation pour salle de bains.

Conseils pour l'installation de tuyaux flexibles

Fantech recommande fortement l'utilisation de tuyaux flexibles isolants dans les pièces à ventilation non contrôlée, ou pour minimiser le bruit. **Consultez les codes de votre région avant l'installation.** Faute d'utiliser les conduits flexibles isolants pourrait causer une accumulation excessive de condensation dans le conduit et un niveau de bruit nuisible dans la pièce.

Un minimum de 8 pieds de tuyau flexible isolant est recommandé entre la grille et le ventilateur. Il devrait être étiré à son maximum et être aussi droit que possible, sans quoi la performance en serait grandement diminuée. Fixez le tuyau flexible au ventilateur avec un collier de serrage ou un ruban adhésif en toile. Le branchement doit être le plus étanche que possible afin de maximiser le rendement du système.

Branchement électrique

1. Retirez les vis fixant le couvercle de la boîte de câblage sur le côté du ventilateur. Tous les fils du moteur du ventilateur sont préalablement câblés à une bande de branchement électrique. Un connecteur câble encastré de type «Romex» 15,8 mm sera nécessaire afin de fixer le fil d'alimentation à la boîte de câblage.
2. Passez les fils d'alimentation à travers le connecteur de câble encastré. Assurez-vous de placer l'écrou du connecteur au-dessus des fils entrant dans la boîte de câblage. Il y a deux emplacements libres sur la bande de branchement. À l'aide d'un tournevis régulier, serrez le fil d'alimentation blanc sous la vis indiquée « N ». Serrez le fil d'alimentation noir sous la vis indiquée « L ». Puisque le moteur du ventilateur est isolé dans un boîtier en plastique, la prise de terre n'est pas nécessaire.
3. Fixez le connecteur «Romex». Fixez l'entrée de l'alimentation avec le connecteur «Romex». Remplacez le couvercle de la boîte de câblage. Tous les fils du moteur ayant été préalablement câblés à l'usine, aucun autre raccordement est nécessaire.

Diagramme de branchement

Voir page 15 pour une vue détaillée des schémas de câblage.

Dépannage

Si le ventilateur ne fonctionne pas, vérifiez ce qui suit :

1. Consultez les diagrammes de câblage (voir ci-dessous) pour vous assurer que la connexion est appropriée.
2. Contrôlez le fil de sortie du moteur, les fils de sortie du condensateur et l'alimentation électrique pour vous assurer d'un bon contact.
3. Si possible, utilisez un appareil de mesure pour déterminer la continuité à travers les fils de sortie du moteur du ventilateur. Pour faire ceci, le condensateur doit être débranché (ne pas tester le condensateur - il ne montrera pas la continuité). Si les fils de sortie du moteur montrent la continuité, consultez l'usine pour un condensateur de rechange.

Instructions pour l'entretien

Puisque les roulements du ventilateur sont scellés et équipés d'un matériel lubrifiant interne, aucune lubrification supplémentaire n'est nécessaire.

Installation du boîtier avec ou sans éclairage

1. Planifiez l'endroit pour la grille

D'après votre salle de bain et ses installations, planifiez l'endroit où vous installerez vos grilles de plafond pour une ventilation efficace.

2. Fixez le boîtier à la poutrelle du plafond.

NOUVELLE CONSTRUCTION

Fixez le boîtier directement sur la poutre du plafond avec les vis. Les languettes sur le boîtier devraient être au même niveau que le côté inférieur de la poutrelle du plafond (Figure 1).

OU

Utilisez les barres de suspension pour fixer le boîtier à la poutrelle du plafond. Pour être exacte, les barres de suspensions doivent être à $3\frac{1}{4}$ po au-dessus du côté inférieur de la poutrelle du plafond pour les modèles à collets de 4 po et $15\frac{1}{32}$ po pour les modèles de 6 po. Sur les modèles à conduits de 4 po serrez les vis anti-dérappantes pour sécuriser les barres de suspension en place (Figure 2).

Note: Les barres de suspension des appareils à collets de 4 po peuvent être utilisées sur les poutrelles de plafond jusqu'à 24 po du centre. Les barres de suspension pour les appareils à conduits de 6 po peuvent aller jusqu'à 16 po du centre.

Note: Si le gypse ou le matériel de plafond est plus épais que $5\frac{1}{8}$ po, les languettes de position peuvent être enlevées pour permettre au collier de la grille d'être au même niveau que le plafond fini. Lorsque le gypse est posée au plafond, pratiquez une ouverture pour accommoder la grille. Dégagez l'ouverture pour les fils d'alimentation de la boîte de câblage.

CONSTRUCTION EXISTANTE OU GYPSE EN PLACE.

Percez un trou de 6 po pour la grille de plafond seulement et installer le boîtier dans le grenier. Placez le boîtier sur la poutrelle de plafond en utilisant les locator tabs pour déterminer l'emplacement exacte (Figure 1) ou enligner en utilisant les barres de suspension (Figure 2). Percez un trou si nécessaire. Pour compléter l'installation des ventilateurs pour salle de bains avec éclairage, suivez les étapes 3 à 5. Pour les modèles sans éclairage, passez directement aux étapes 4 et 5.

3. Faites la connexion électrique au boîtier de la grille au plafond.

En utilisant un tournevis, enlevez le couvercle électrique à l'intérieur du boîtier en métal. Connectez le courant en suivant le diagramme de branchement (Figure 4) et en suivant les codes électriques locaux ou les codes électriques nationaux. Remettez le couvercle électrique.

4. Raccordement du ventilateur du boîtier.

Installez le conduit de 4 po ou de 6 po du ventilateur au boîtier de la grille au plafond. (Les conduits flexibles isolants recommandés par Fantech pour toutes applications d'évacuation pour salle de bains vous donneront un rendement plus silencieux). Pour les modèles à grilles jumelles, montez les conduits entre le ventilateur et l'adaptateur « wye » (inclus), puis reliez les conduits à chaque sortie du « wye » et à chaque boîtier des grilles. Attachez les conduits en place, puis scellez. Si vous utilisez un tuyau flexible isolant, scellez la couche intérieure au connecteur de conduit puis scellez la couche extérieure couvrant la couche intérieure. Ne laissez pas le matériel isolant exposé.

5. Installation de l'ampoule.

Procédez en insérant doucement l'ampoule dans la douille située dans le boîtier de la grille. Posez la grille en la poussant fermement le collier jusqu'à ce que la grille soit en contact ferme avec le plafond. (Figure 3).

Répétez les étapes 1 à 5 pour chaque boîtier de grille pour plafond additionnel à installer.

*Pour un fonctionnement plus efficace, l'adaptateur « wye » devrait être positionné à une distance égale à trois fois le diamètre du conduit de l'entrée du ventilateur.

Figure 1

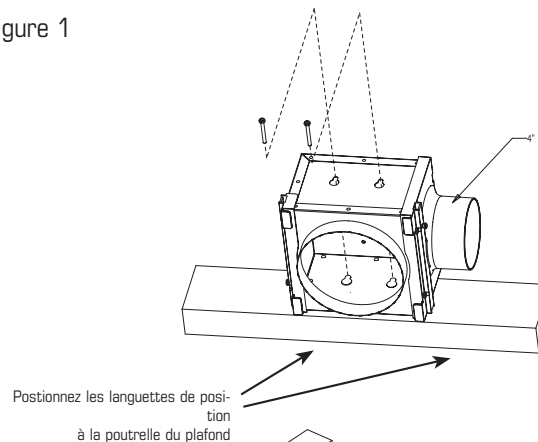


Figure 2

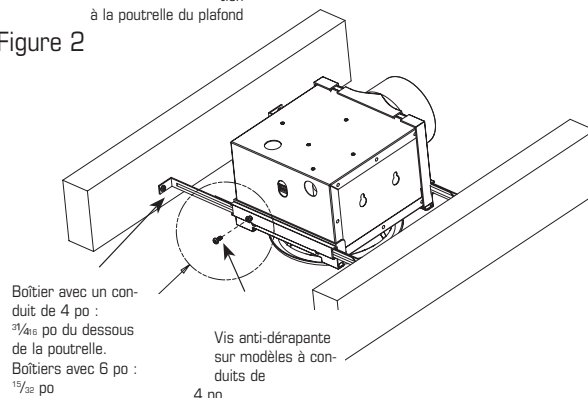


Figure 3

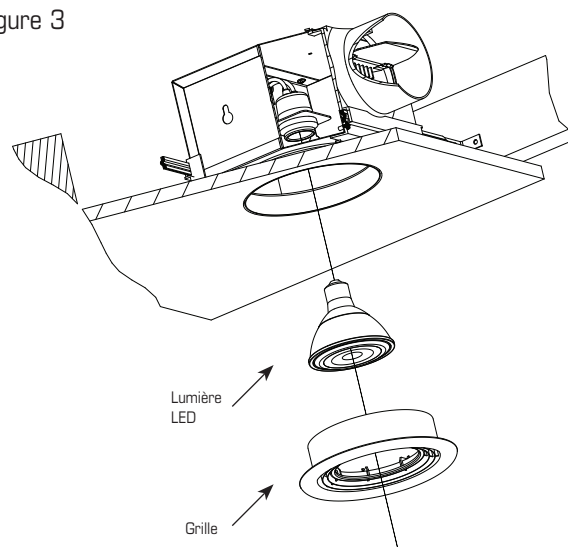
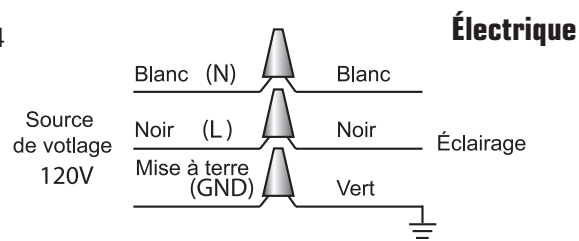


Figure 4



Planificación de la ubicación del extractor

Al igual que con todo sistema de extracción, el extractor de aire debe instalarse a una distancia mínima de 6 pies horizontalmente y 8 pies verticalmente de toda entrada de aire fresco a fin de impedir el rearmastre hacia el interior de corrientes del aire extraído. Por ejemplo, los sistemas HVAC, los sistemas de recuperación de calor y las ventanas, todos ellos se deben considerar como entradas de aire fresco.

Al planificar la ubicación del extractor recuerde que será necesario tender los conductos desde el ventilador exterior hasta la entrada del baño. La instalación será más fácil si de antemano se tiene en cuenta el acceso para el tendido de los conductos.

Instalación del extractor en la pared exterior

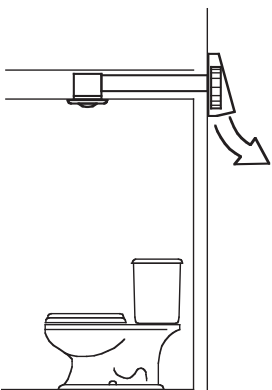
1. Una vez seleccionado el lugar de la instalación del extractor, corte un orificio de 4 3/8" de diámetro en el exterior de la pared exterior. Prepare una sección de conducto rígido (adquirido por separado) de aproximadamente 2" más grande que el grosor de la pared. Esta será la extensión del collarín colocado a través de la pared.

2. Retire la tapa de descarga del extractor quitando los cuatro tornillos. Centre el extractor en el orificio que se perforó en la pared. Marque el sitio de los orificios de montaje y el orificio ciego para el cable eléctrico. Perfore un orificio para la conexión eléctrica que sea 1/8" más grande que el conducto que se esté utilizando. En la placa trasera del extractor se proporciona una abertura de 1 pulgada para el mantenimiento eléctrico.

NOTA: Al instalar el extractor sobre un muro de mampostería, perfore orificios de 7/32" pulgadas para los cuatro anclajes y tornillos de montaje (provistos). Los anclajes deben estar al ras del borde de los orificios. Para el montaje sobre superficies de madera, utilice tornillos para madera (se adquieren por separado).

3. Pase el suministro de electricidad por la pared. Sujete el collarín del extractor al collarín de extensión usando cinta para ductos. Para prevenir fugas, verifique que esta conexión sea lo más hermética posible. Aplique calafateo de poliuretano al exterior de la placa trasera de la caja del extractor, dejando el fondo sin calafateo para el drenaje. De esta manera se asegura una conexión hermética y a prueba de agua entre el extractor y la pared.

NOTA: Si se instala sobre un recubrimiento sobrepuesto podría ser necesario utilizar un marco de montaje de cartón de 1x1 para asegurar un ajuste al ras.



4. Monte el extractor en la pared. Vuelva a colocar la tapa de descarga. Conecte el conducto al collarín de extensión usando abrazaderas de plástico tipo CB o cinta para conductos (se adquieren por separado).

NOTA FINAL SOBRE LA INSTALACIÓN:

Si la ubicación del extractor no está protegida por un alero, deberá instalarse una tapajuntas de metal estándar. Séllela contra la pared y el borde superior de la tapa de descarga del extractor para impedir que entre agua en la caja del extractor.

Fantech recomienda el uso de conductos flexibles y aislados para todas las aplicaciones de escape en el baño.

Sugerencias para la instalación del conducto flexible

Fantech recomienda firmemente el uso de ducto aislado flexible cuando los ductos atraviesan espacios no acondicionados o donde el ruido sea un factor a considerar.

Consulte los requerimientos del código local antes de la instalación. Para lograr la instalación más silenciosa posible, Fantech recomienda un mínimo de 8 pies de conducto flexible aislado entre cualquier rejilla de admisión y el ventilador. Al montar un conducto de tipo flexible, el mismo se debe instalar lo más apretado y recto posible. De lo contrario, el sistema podría sufrir una importante pérdida de rendimiento. El conducto flexible se debe conectar al ventilador con abrazaderas de plástico tipo CB o con cinta para conductos. Todas las conexiones deben quedar lo más herméticas posible para lograr un máximo rendimiento.

Conexión eléctrica

1. Quite los tornillos de montaje de la tapa de la caja de conexiones en el costado del ventilador. Todas las conexiones del motor del ventilador están precableadas a una regleta eléctrica. Se necesitará un conector de fijación de cables tipo romex de 3/8" para sujetar el cableado a través del agujero ciego provisto en el costado de la caja de conexiones.

2. Pase la alimentación eléctrica a través del conector romex y el agujero ciego del ventilador. Tenga cuidado de colocar la tuerca del conector encima del cableado que entra a la caja de conexiones. En la regleta de conexiones hay dos lumbreras abiertas. Con un pequeño destornillador estándar, apriete el cable neutro (color blanco) de la alimentación eléctrica debajo de la lumbrera marcada "N" en la regleta. Apriete el hilo de línea (negro) de la alimentación eléctrica debajo de la lumbrera marcada "L". Dado que el motor del ventilador está aislado por su carcasa de plástico, no es necesario conectarlo a tierra.

3. Asegure el conector romex. Asegure la alimentación entrante con el conector romex. Vuelva a colocar la tapa de la caja de conexiones del ventilador. Todas las conexiones del motor del ventilador y del capacitor vienen precableadas de fábrica. No hace falta ningún cableado adicional para el ventilador.

Diagramas de cableado

Consulte la página 15 para obtener una vista detallada de los diagramas de cableado.

Análisis de fallas

Si el ventilador deja de funcionar, revise lo siguiente:

1. Consulte los diagramas eléctricos (a la derecha) para asegurar que las conexiones se hagan correctamente.
2. Revise el cableado del motor, del capacitor y de la alimentación eléctrica para asegurar el debido contacto.
3. Si es posible, use un comprobador para verificar la continuidad entre los hilos del motor del ventilador. Para ello, se debe desconectar el capacitor. (No pruebe el capacitor, ya que no tiene continuidad.) Si los hilos del motor muestran continuidad, solicite a la fábrica un capacitor de repuesto.

Instrucciones de mantenimiento

Puesto que los rodamientos del ventilador están sellados y provistos de lubricante interno, no es necesario aplicarles lubricante adicional.

Instalación de la caja de rejilla de techo con o sin luz

1. Planee la ubicación de las rejillas de admisión.

Con base en el diseño y el mobiliario del baño, planee la ubicación de las rejillas del techo para obtener la ventilación más efectiva.

2. Fije la caja a las viguetas del techo.

CONSTRUCCIÓN NUEVA

Fije la caja directamente en la vigueta del techo con tornillos y las ranuras de alineación. Las pestañas de ubicación en la caja deben estar a nivel con el borde inferior de la vigueta del techo para la correcta ubicación de la unidad una vez instalada la tablarroca. (Figura 1)

0

Utilice las barras de soporte para sujetar la caja entre las viguetas del techo. Para su colocación correcta, las barras de soporte deben colocarse a 13/16" arriba del borde inferior de la vigueta del techo en los modelos con conexión de ducto de 4" y 15/32" arriba del borde inferior de la vigueta en los modelos con conexión con ducto de 6". En los modelos con ducto de 4", apriete los tornillos antideslizantes para mantener las barras de soporte en su sitio. (Figura 2).

Nota: Las barras de soporte en las unidades con conexión de ducto de 4" pueden emplearse en viguetas de techo de hasta 24" en el centro. Las barras de soporte en las unidades con conexión de ducto de 6" abarcan las viguetas del techo hasta una distancia de 16" desde el centro.

Nota: Si el grosor del panel de yeso o del material del techo es de más de 5/8" ahora puede retirar las pestañas guías. Durante la instalación de la tablarroca, corte un hueco para la rejilla del techo.

CONSTRUCCIÓN EXISTENTE O CUANDO LA TABLARROCA ESTÁ EN SU SITIO

Corte una orificio redondo de 6" sólo para la rejilla e instale la caja desde el altillo. (Figura 3)

Coloque la caja contra la vigueta del techo. Para completar la instalación en los modelos de ventilador para baño con luz, continúe con los pasos del 3 al 5. Para los modelos sin luces, vaya a los pasos 4 y 5.

Perfore los agujeros ciegos (si se van a usar) y el que corresponda al cable eléctrico si es necesario.

Siga con los pasos 3 a 5 para continuar con la instalación de los modelos de ventiladores para baño Premium con luces. De lo contrario, siga a los pasos 4 y 5 para completar la instalación de los modelos sin luces.

3. Efectúe las conexiones eléctricas a la caja de la rejilla de techo.

Con un destornillador, retire la tapa eléctrica del interior del gabinete de acero. Conecte la alimentación conforme a los diagramas de cableado (Figura 4) y cumpliendo con los códigos locales o nacionales sobre instalaciones eléctricas. Vuelva a colocar la tapa eléctrica.

4. Conecte el ventilador a la caja de la rejilla de techo.

Instale el conducto de 4" o 6" desde el ventilador hasta la caja de la rejilla. El uso de conducto flexible con aislamiento (recomendado para todas las aplicaciones de ventilación de baños de Fantech) producirá un funcionamiento más silencioso. Sujete el conducto en su lugar y séllelo. Si se usa conducto flexible con aislamiento, selle el forro interior al conector del conducto, a continuación selle la carcasa exterior por sobre el forro interior. No deje al descubierto el material aislante.

5. Instalación de la bombilla.

Instale la bombilla introduciéndola con cuidado en el portabombillas dentro del gabinete de acero. Para instalar la rejilla empújela firmemente hacia el collarín de acero hasta quedar a ras del panel de yeso del techo (Figura 3).

Repita los pasos del 1 al 5 para cada caja de rejilla de techo que se instale.

* Para obtener una operación más eficiente el adaptador en "Y" debe colocarse a una distancia equivalente a tres diámetros del ducto del ventilador de admisión.

Figure 1

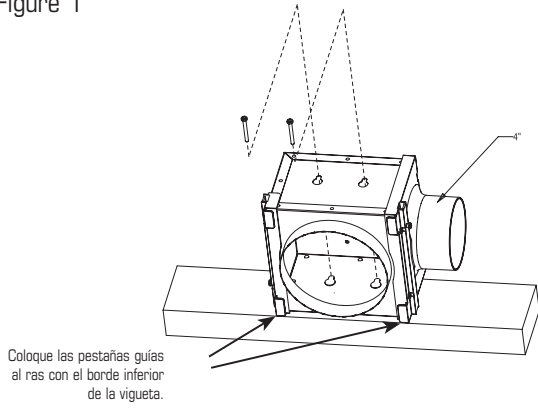


Figure 2

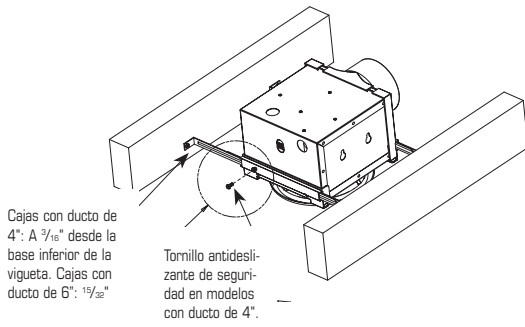


Figure 3

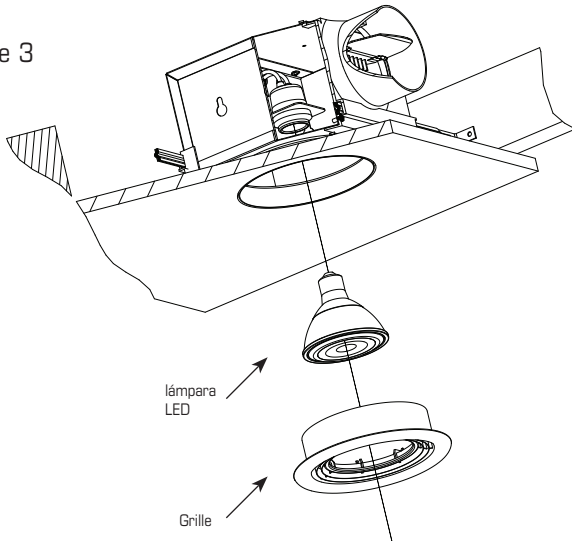
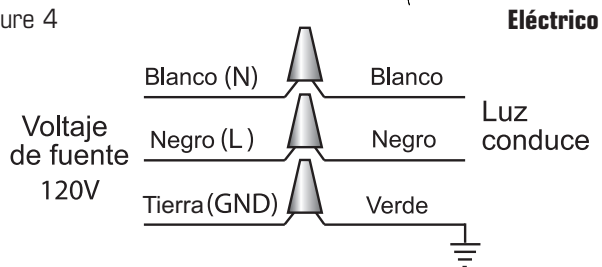


Figure 4



WARRANTY

7 Year Warranty

This warranty supersedes all prior warranties

DURING ENTIRE WARRANTY PERIOD:

Fantech will repair or replace any part which has a factory defect in workmanship or material. Product may need to be returned to the Fantech factory, together with a copy of the bill of sale and identified with RMA number.

FOR FACTORY RETURN YOU MUST:

- Have a Return Materials Authorization (RMA) number. This may be obtained by calling Fantech either in the USA at 1.800.747.1762 or in CANADA at 1.800.565.3548. Please have bill of sale available.
- The RMA number must be clearly written on the outside of the carton, or the carton will be refused.
- All parts and/or product will be repaired/replaced and shipped back to buyer; no credit will be issued.

OR

The Distributor may place an order for the warranty part and/or product and is invoiced. The Distributor will receive a credit equal to the invoice only after product is returned prepaid and verified to be defective.

FANTECH WARRANTY TERMS DO NOT PROVIDE FOR REPLACEMENT WITHOUT CHARGE PRIOR TO INSPECTION FOR A DEFECT. REPLACEMENTS ISSUED IN ADVANCE OF DEFECT INSPECTION ARE INVOICED, AND CREDIT IS PENDING INSPECTION OF RETURNED MATERIAL. DEFECTIVE MATERIAL RETURNED BY END USERS SHOULD NOT BE REPLACED BY THE DISTRIBUTOR WITHOUT CHARGE TO THE

Limitation of Warranty and Liability

This warranty does not apply to any Fantech product or part which has failed as a result of faulty installation or abuse, incorrect electrical connections or alterations made by others, or use under abnormal operating conditions or misapplication of the product or parts. We will not approve for payment any repair not made by us or our authorized agent without prior written consent. The foregoing shall constitute our sole and exclusive warranty and our sole exclusive liability, and is in lieu of any other warranties, whether written, oral, implied or statutory. There are no warranties which extend beyond the description on the page hereof. In no event, whether as a result of breach of contract, or

Warning

Fantech products are designed and manufactured to provide reliable performance, but they are not guaranteed to be 100% free from defects. Even reliable products will experience occasional failures and this possibility should be recognized by the user. If these products are

used in a life support ventilation system where failure could result in loss or injury, the user should provide adequate backup ventilation, supplementary natural ventilation, failure alarm system, or acknowledge willingness to accept the risk of such loss or injury.

END USER, AS CREDIT TO DISTRIBUTOR'S ACCOUNT WILL BE PENDING INSPECTION AND VERIFICATION OF ACTUAL DEFECT BY FANTECH.

THE FOLLOWING WARRANTIES DO NOT APPLY:

- Damages from shipping, either concealed or visible. Claim must be filed with freight company.
- Damages resulting from improper wiring or installation.
- Damages or failure caused by acts of God, or resulting from improper consumer procedures, such as:
 1. Improper maintenance
 2. Misuse, abuse, abnormal use, or accident, and
 3. Incorrect electrical voltage or current.
- Removal or any alteration made on the Fantech label control number or date of manufacture.
- Any other warranty, expressed, implied or written, and to any consequential or incidental damages, loss or property, revenues, or profit, or costs of removal, installation or reinstallation, for any breach of warranty.

WARRANTY VALIDATION

- The user must keep a copy of the bill of sale to verify purchase date.
- These warranties give you specific legal rights, and are subject to an applicable consumer protection legislation. You may have additional rights which vary from state to state.

warranty or alleged negligence, defect incorrect advice or other causes, shall Fantech be liable for special or consequential damages, including, but not limited to, loss of profits or revenue, loss of use of equipment or any other associated equipment, cost of capital, cost of substitute equipment, facilities or services, downtime costs, or claims of customers of purchase for such damages. Fantech neither assumes or authorizes any person to assume for it any other liability in connection with the sale of product(s) or part(s). Some jurisdictions do not allow the exclusion or limitation of incidental or consequential damages so the above limitations and exclusions may not apply to you.

used in a life support ventilation system where failure could result in loss or injury, the user should provide adequate backup ventilation, supplementary natural ventilation, failure alarm system, or acknowledge willingness to accept the risk of such loss or injury.

GARANTIE

Garantie de 7 ans

Cette garantie remplace toutes les garanties précédentes.

DURANT TOUTE LA PÉRIODE DE GARANTIE:

Fantech s'engage à réparer ou à remplacer toute pièce présentant un défaut d'usine en matière de qualité d'exécution ou de matériau. Il sera peut être nécessaire de retourner le produit à l'usine Fantech, accompagné d'une copie du contrat de vente et du numéro d'autorisation de retour.

POUR RETOURNER UN PRODUIT À L'USINE, VOUS DEVEZ:

- Obtenir un numéro d'autorisation de retour; pour ce faire, communiquer avec Fantech aux États-Unis au numéro 1.800.747.1762, ou au Canada, au numéro 1.800.565.3548. Veuillez avoir votre contrat de vente à portée de la main.
- S'assurer que le numéro d'autorisation de retour est lisible sur l'extérieur de la boîte, sinon la boîte sera refusée.
- Toutes les pièces et/ou le produit seront réparés ou remplacés puis retournés à l'acheteur. Aucun crédit ne sera accordé.

OU

Le Distributeur peut commander une pièce ou un produit couvert par la garantie; la facture lui sera envoyée. Le distributeur ne sera crédité du montant de sa facture qu'après que le produit a été retourné port payé et qu'il a été trouvé défectueux.

LES TERMES DE LA GARANTIE DE Fantech NE PRÉVOIENT PAS DE REMPLACEMENT SANS FRAIS AVANT QUE LA PIÈCE OU LE PRODUIT DÉFECTUEUX AIT ÉTÉ INSPECTÉ. LES PRODUITS OU PIÈCES REMPLACÉS AVANT L'INSPECTION DE LA DÉFECTUOSITÉ SERONT FACTURÉS ET LE MONTANT DU CRÉDIT EST FONCTION DE L'INSPECTION DE LA PIÈCE OU DU PRODUIT RETOURNÉ. LE DISTRIBUTEUR NE DOIT PAS REMPLACER SANS FRAIS POUR

Limites de garanties et de responsabilités

Cette garantie ne s'applique à aucun produit de Fantech ou à aucune pièce détachée dont la défectuosité relève d'une erreur d'installation ou d'abus ou de mauvaise installation électrique ou dut à des modifications extérieures ou utilisées dans des conditions anormales ou encore une mauvaise installation du produit ou des pièces détachées. Nous n'approuverons aucun remboursement pour des réparations qui ne sont pas effectuées par un agent américain ou un agent autorisé sans un accord écrit. Ce dernier constituera notre seule et exclusive garantie et notre seule exclusive responsabilité et tient lieu de toute autre garantie ou bien écrite ou orale implicite ou statuaire. Aucune garantie ne s'appliquera au-delà des descriptions faites de la page ci-dessus. En aucun cas, que ce soit pour une rupture de contrat ou de garanties ou

Avertissement

Les produits de Fantech sont conçus et fabriqués pour produire des performances fiables, mais il n'y a aucune garantie qu'ils soient 100% sans défaut. Les plus produits les plus fiables ont occasionnellement des défectuosités et cette possibilité devraient être reconnu par les usagers. Si ces produits sont utilisés comme une source de ventilation ou leur

L'UTILISATEUR FINAL L'ÉQUIPEMENT DÉFECTUEUX RETOURNÉ PAR L'UTILISATEUR FINAL, CAR LE COMPTE DU DISTRIBUTEUR NE SERA CRÉDITÉ QU'APRÈS L'INSPECTION ET LA VÉRIFICATION PAR FANTECH DE LA DÉFECTUOSITÉ.

LES GARANTIES NE S'APPLIQUENT PAS DANS LES CAS SUIVANTS:

- Dommages dus au transport (dissimulés ou visibles). Les réclamations doivent être faites à la compagnie de fret.
- Dommages dus au mauvais câblage ou à l'installation inappropriée.
- Dommages ou défectuosité causés par une calamité naturelle ou résultant d'une procédure irrégulière de l'acheteur, notamment :
 1. Entretien irrégulier
 2. Mauvais usage, usage abusif, usage anormal ou accident
 3. Tension ou courant électrique incorrect
- Enlèvement ou toute modification du numéro de contrôle ou de la date de fabrication de l'étiquette Fantech
- Toute autre garantie expresse, écrite ou implicite, pour les dommages accidentels ou indirects, perte de biens, de recettes, manque à gagner ou coûts relatifs à la dépose, à l'installation ou à la réinstallation, en cas de violation de garantie.

CERTIFICATION DE LA GARANTIE:

- L'utilisateur doit conserver une copie du contrat de vente pour confirmer la date d'achat.
- Les présentes garanties vous donnent des droits spécifiques reconnus par la loi et sont régies par les lois sur la protection du consommateur appropriées. Il est possible que différents états offrent d'autres droits.

des dommages dut à la négligence ou a des conseils incorrects ou autres causes, Fantech ne pourra être tenu pour responsable des dommages particuliers ou consécutifs, incluant mais pas limités aux pertes et profits ou bénéfiques perte de matériel ou autres matériels associés. Coût du capital, coût des équipements de remplacement, matériels ou services, coût de temps d'arrêt ou les réclamations des clients pour de tels dommages. Fantech ne délègue ou autorise aucune personne d'assumer sa responsabilité sur la vente du produit ou des pièces détachées. Certaines juridictions ne permettent pas l'exclusion de la limitation des dommages accidentels ou consécutifs ainsi ces limitations ci-dessus et les exclusions ne s'appliquent pas à vous.

panne risque de mettre en danger des vies humaines ou entraîner des blessures, les usagers devront avoir une source de ventilation de secours en addition à une ventilation naturelle, le défaut de système d'alarme ou la connaissance de ces conditions entraînent sa responsabilité envers de telles pertes ou blessures.

GARANTIA

Garantía de 7 Años

Esta garantía de sin efecto cualquier otra garantía anterior

DURANTE EL PERÍODO INTEGRO DE LA GARANTÍA:

Fantech reparará o reemplazará toda parte que presente un defecto en el material o en la mano de obra. Es posible que el producto deba ser devuelto a la fábrica Fantech, juntamente con una copia de la constancia de compraventa e identificado con el número de RMA.

PARA DEVOLUCIÓN A FÁBRICA USTED DEBE:

- Tener un número de Autorización de Devolución de Material (RMA). Esto se puede obtener llamando a Fantech ya sea en los Estados Unidos al 1.800.747.1762
- en Canadá al 1.800.565.3548. Tenga a mano la constancia de compraventa.
- El número de RMA deberá estar claramente escrito en la parte exterior de la caja, de lo contrario la caja será rechazada.
- Todas las partes y/o el producto serán reparados/reemplazados y devueltos al comprador; no se otorgará crédito.

O BIEN

El Distribuidor puede colocar una orden por la parte y/o producto en garantía y facturarla/o. El Distribuidor recibirá un crédito igual a la factura sólo después de que se haya devuelto el producto con pago previo y con verificación de defecto.

LAS CONDICIONES DE LA GARANTÍA DE FANTECH NO CONTEMPLAN EL REEMPLAZO SIN CARGO ANTES DE REALIZAR LA INSPECCIÓN PARA DETECTAR DEFECTOS. LOS REEMPLAZOS EMITIDOS ANTES DE INSPECCIONAR POR DEFECTOS SON FACTURADOS, Y EL CRÉDITO ESTÁ A LA ESPERA DE INSPECCIÓN DEL MATERIAL DEVUELTO. EL MATERIAL DEFECTUOSO DEVUELTO POR LOS USUARIOS FINALES NO

Limitación de Garantía y Responsabilidad Civil

Esta garantía no cubre ningún producto o pieza de Fantech que haya fallado por mala instalación, abuso, conexión eléctrica incorrecta o por alteraciones hechas por terceros, o por utilización bajo condiciones anormales de operación, o por aplicación incorrecta del producto o de las piezas. Nosotros no aprobamos el pago de ninguna reparación que no se haya realizado por nosotros o por nuestro agente autorizado previo consentimiento por escrito. Lo que antecede constituirá nuestra única y exclusiva garantía y nuestra única y exclusiva responsabilidad; y obra en lugar de cualquier otra garantía, ya sea escrita, verbal, tácita o estatutaria. No hay ninguna garantía que vaya más allá de lo que está descrito en esta página. Bajo ninguna circunstancia responderá Fantech, ya sea por incumplimiento de contrato o garantía ni por alegada

Advertencia

Aunque los productos de Fantech están diseñados y son fabricados para un rendimiento seguro, no garantizamos que estén libres de defectos al 100%. Hasta productos confiables a veces fallan; y el usuario debe reconocer esta posibilidad. Si estos productos se utilizan en un sistema

DEBERÁ SER REEMPLAZADO POR EL DISTRIBUIDOR SIN CARGO PARA EL USUARIO FINAL, YA QUE EL CRÉDITO DE LA CUENTA DEL DISTRIBUIDOR ESTARÁ A LA ESPERA DE INSPECCIÓN Y VERIFICACIÓN DEL DEFECTO REAL POR FANTECH.

LAS SIGUIENTES GARANTÍAS NO SE APLICAN:

- Daños durante el envío, ya sean encubiertos o visibles. Se deberá presentar el reclamo a la compañía transportadora.
- Daños ocasionados por cableado o instalación indebidos.
- Daños o fallas causados por hechos fortuitos, u ocasionados por procedimientos impropios por parte del usuario, tales como:
 1. Mantenimiento indebido
 2. Uso indebido, abuso, uso anormal o accidente y
 3. Tensión o corriente eléctrica incorrecta.
- Remoción o modificación realizada al número de control del rótulo de Fantech o de la fecha de fabricación.
- Toda otra garantía, expresa, implícita o escrita, daños y perjuicios, pérdida de propiedad, de ingresos, o de beneficios, o costo de remoción, instalación o reinstalación por incumplimiento de la garantía.

VALIDACIÓN DE LA GARANTÍA

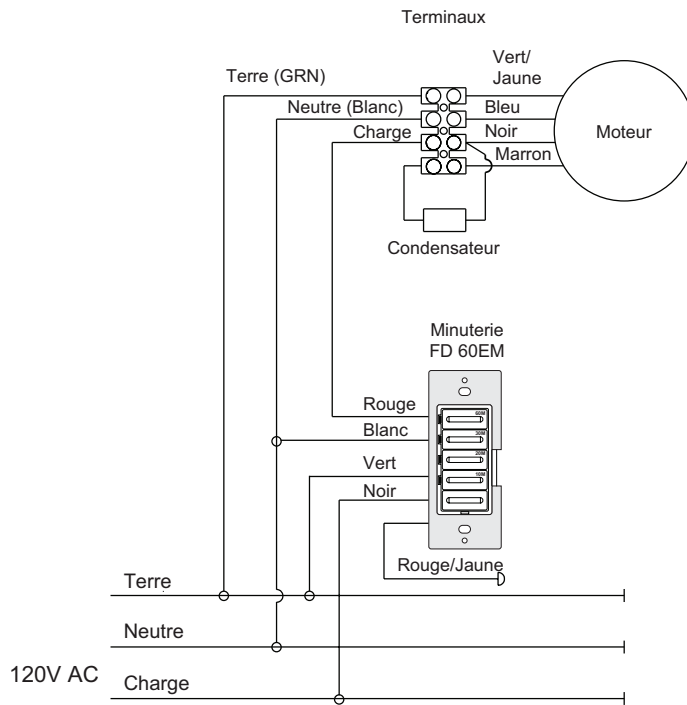
- El usuario debe conservar una copia de la constancia de compraventa para verificar la fecha de compra.
- Estas garantías le otorgan derechos legales específicos, y están sujetas a una legislación aplicable para protección del consumidor. Usted puede tener derechos adicionales que varían de estado en estado.

negligencia, defecto, consejos incorrectos u otra causa, por daños especiales o consiguientes, incluso, pero no de manera única, pérdida de ganancias o ingresos, equipo cesante o cualquier otra pérdida relativa a equipos asociados; el costo del capital, costo de equipos, instalaciones o servicios sustitutos, tiempo ocioso o reclamos de clientes por compras incurridas por tales daños. Fantech ni asume ni autoriza a ninguna persona a que asuma a su nombre ninguna otra responsabilidad relativa a la venta de productos o piezas. Debido a que algunos distritos jurisdiccionales no permiten la exclusión o limitación por daños incidentales o consiguientes, puede que las limitaciones y limitaciones antes descritas no lo afecten a Ud.

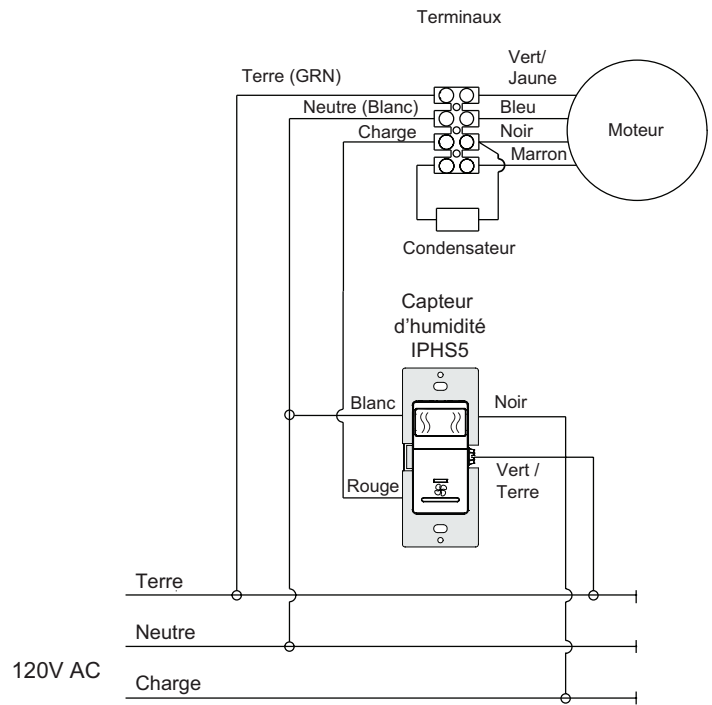
de ventilación vital en donde una falla pudiera dar lugar a pérdidas o lesiones, el usuario debe disponer de una ventilación adecuada de reserva, ventilación natural suplemental, sistema de alarma de fallas, o expresar su voluntad de aceptar el riesgo de tales pérdidas o lesiones.

DIAGRAMME DE BRANCHEMENT • DIAGRAMAS DE CABLEADO

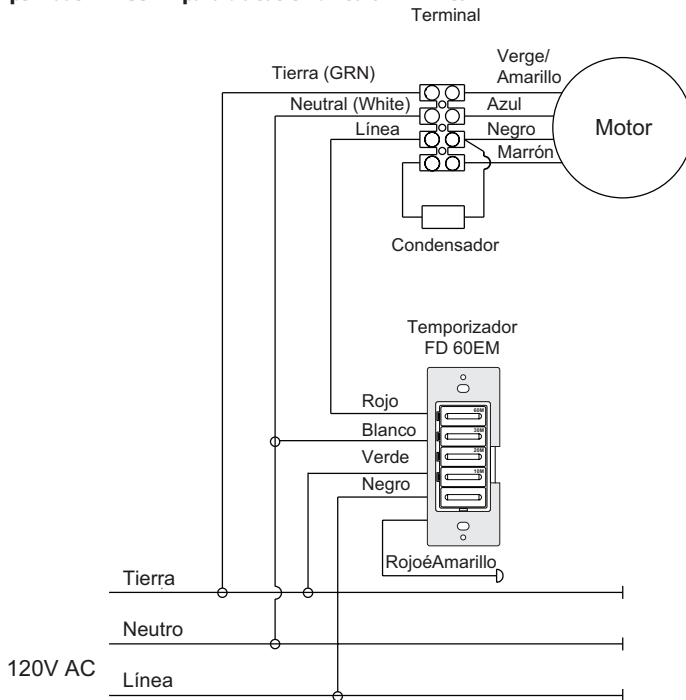
Minuterie FD 60EM pour Single (séries PBW 110)



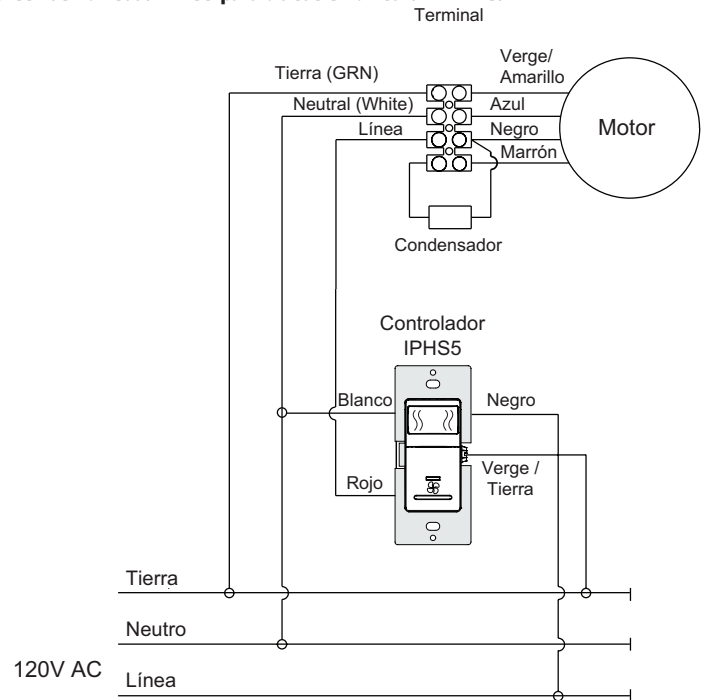
Capteur d'humidité IPHS5 pour un emplacement unique (séries PBW 110)



Temporizador FD 60EM para ubicación única (PBW 110)



Sensor de humedad IPHS5 para ubicación única (PBW 110)



REMARQUES

1. La commande de fils sur bornier peut pas comme montré
2. Connectez le neutre, la ligne et la terre (si nécessaire) aux couleurs du moteur comme indiqué
3. Coupez le fil rouge / jaune sur chaque interrupteur

NOTAS

1. El pedido de cables en el bloque de terminales puede no ser como se muestra
2. Conecte Neutro, Línea y Tierra (si es necesario) a los colores del moto como se muestra
3. Tape el cable rojo / amarillo en cada interruptor

Fantech reserves the right to make technical changes.
For updated documentation please refer to www.fantech.net

Fantech se réserve le droit de faire des changements
techniques. Pour de la documentation à jour, s'il vous plaît se
référer au www.fantech.net

Fantech se reserva el derecho de hacer modificaciones
técnicas en cualquier momento. Para obtener la documen-
tación actualizada, por favor consulte www.fantech.net

Fantech®

