



Algrilles

Supply/Exhaust Grilles



ALGRILLES

- Supply/Exhaust
- Available in 3", 4", 5", 6", & 8"
- Fully adjustable for variable airflow capacity
- Rotating center-adjustment cone
- Easy to install
- Durable white plastic (polypropylene co-polymer with HB UL rating)

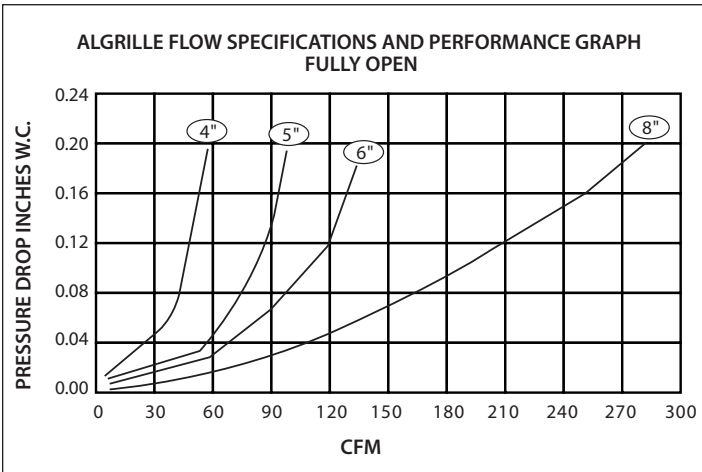
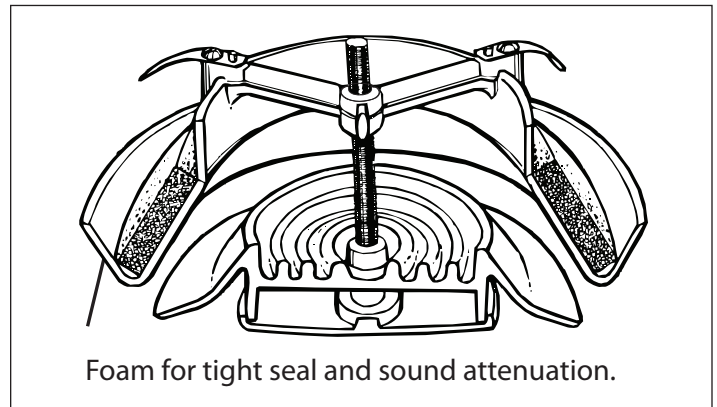
HOW TO USE THE ALGRILLE

The center adjustment cone allows for variable ventilation capacity.

After installing your Algrille vents and connecting them to the ductwork from your ventilator, begin balancing the ventilation ports by increasing openings on the most distant Algrille until the flow is satisfactory throughout the building. Usually two rounds of balancing will provide the desired air distribution.

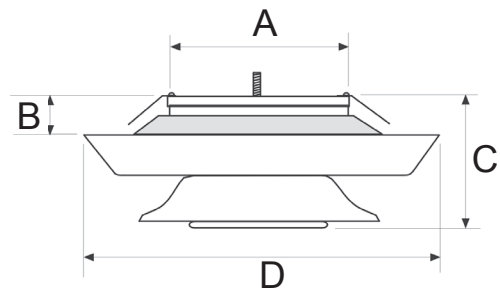
INSTALLATION

Compression-spring tab clips the Algrille into 4", 5", 6", or 8" round duct.



Dimensional Data

P/N	SIZE	A	B	C	D
40 103	3"	2-7/8"	1"	1" to 1-7/8"	4-5/8"
40 104	4"	3-1/4"	1"	1-7/8" to 3-1/4"	5-7/8"
40 105	5"	3-1/2"	1-1/4"	2" to 3-1/4"	6-1/4"
40 106	6"	4-11/16"	1"	1-3/4" to 3-1/4"	7-1/2"
40 108	8"	6-3/4"	1-3/4"	2-1/2" to 3-3/4"	9-5/8"



© 2013 American ALDES Ventilation Corporation. Reproduction or distribution, in whole or in part, of this document, in any form or by any means, without the express written consent of American ALDES Ventilation Corporation, is strictly prohibited. The information contained within this document is subject to change without prior written notice.